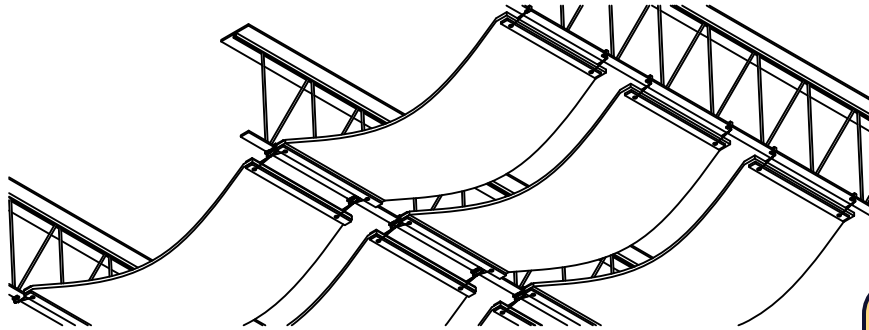


AlphaFlex® Ceiling Banner

L-01

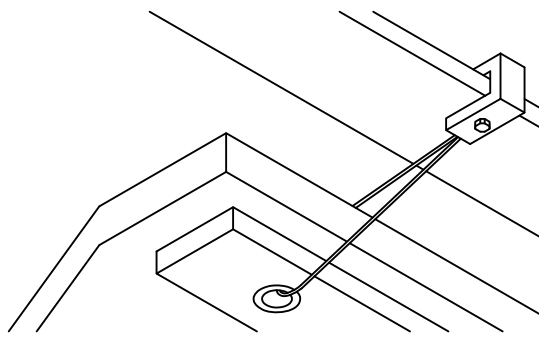
Attachment to Beams or Bar Joists with Cable Ends



1
L-01
VIEW FROM BELOW
SCALE: NA

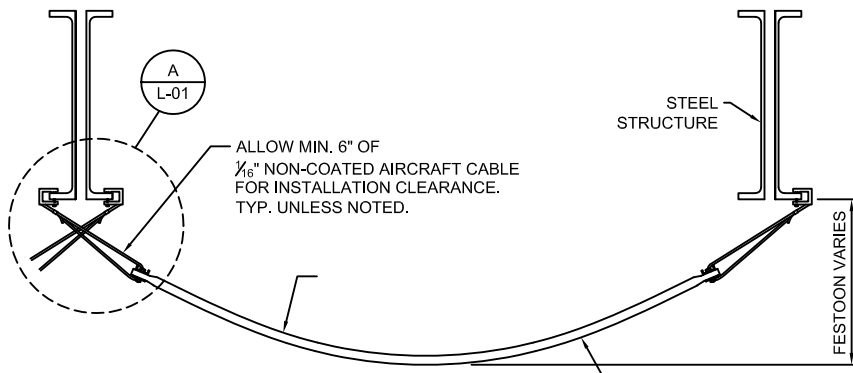
NOTES:
1) ATTACHMENT METHODS AND SUSPENSION MAY VARY.
2) SEE DETAIL A FOR SPECIFIC ATTACHMENT METHOD.

Note: All drawings and details in this guide are intended to provide generic installation guidelines only. Actual field conditions may vary and need to be confirmed by others.



2
L-01
ATTACHMENT VIEW
SCALE: NA

NOTES:
1) THIS IS THE PREFERRED METHOD OF ATTACHMENT
2) BEAM CLAMPS MUST BE BOLTED SECURELY TO OPPOSITE SIDE OF BAR JOIST OR BEAM.
3) PERFORATED SIDE TO FACE DOWN.



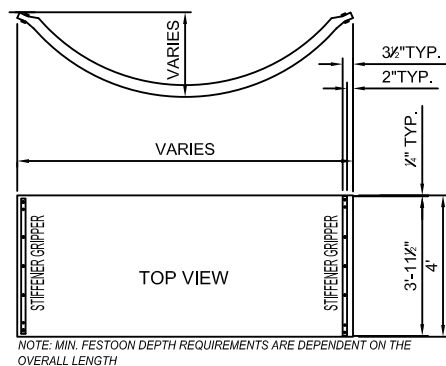
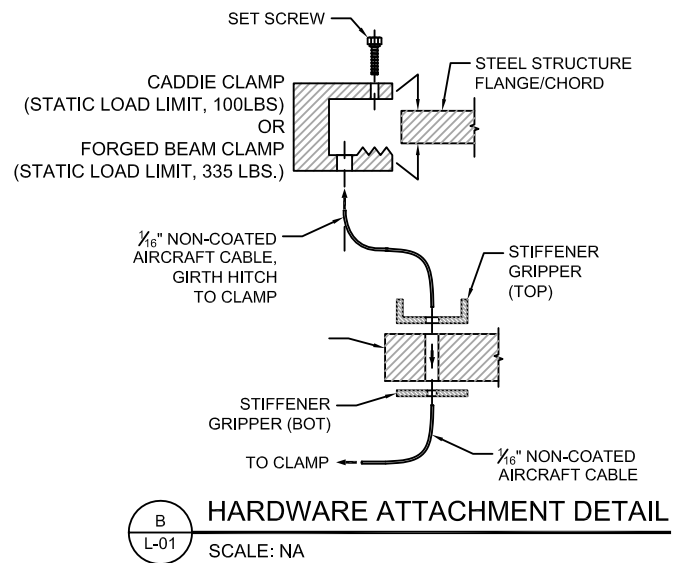
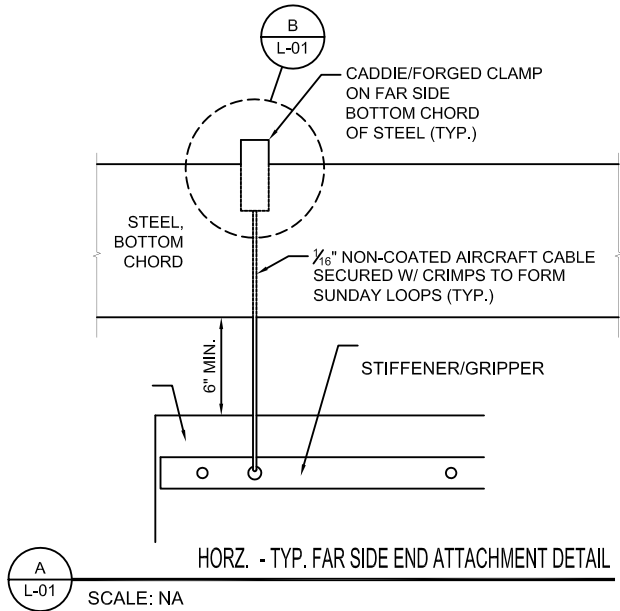
3
L-01
HORZ.- TYP. END ATTACHMENT DETAIL
SCALE: NA

NOTES:
1. 1/8" AIRCRAFT CABLE STATIC LOAD JOIST RATING IS 480 LBS.
2) FORGED BEAM CLAMP STATIC LOAD IS 335 LBS.
3) CADDIE CLAMP STATIC LOAD IS 100 LBS.
DUE TO THE NATURE OF THIS PRODUCT, FESTOON DEPTH MAY VARY. AIRCRAFT CABLE ADJUSTMENTS MAY BE NECESSARY.

Revised: 2025-04-30

AlphaFlex® Ceiling Banner

L-01 Attachment to Beams or Bar Joists with Cable Ends



NOTE:
FESTOON
DIMENSION RANGES
FROM 30" MIN. TO
8'-0" MAX. DEPENDING
ON THE OVERALL
LENGTH

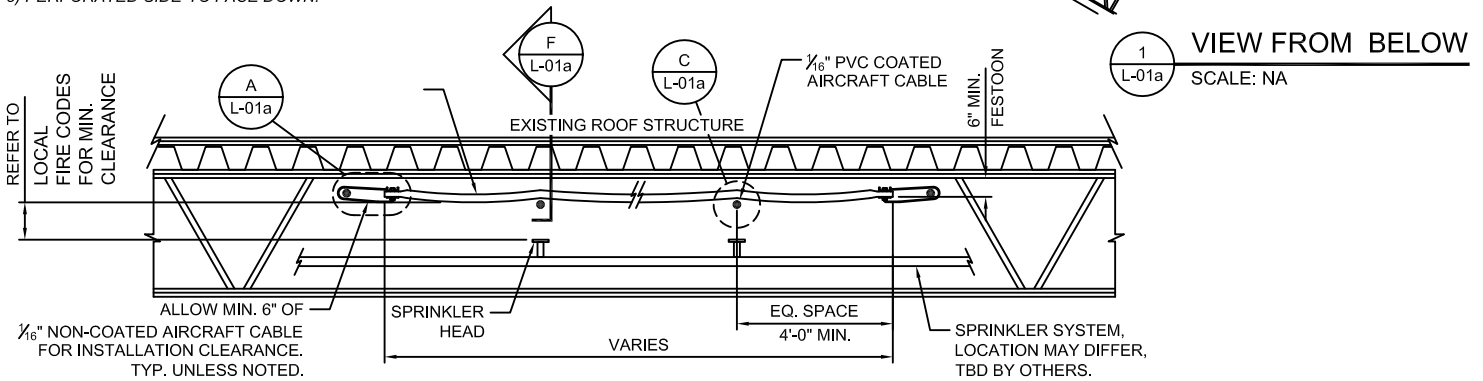
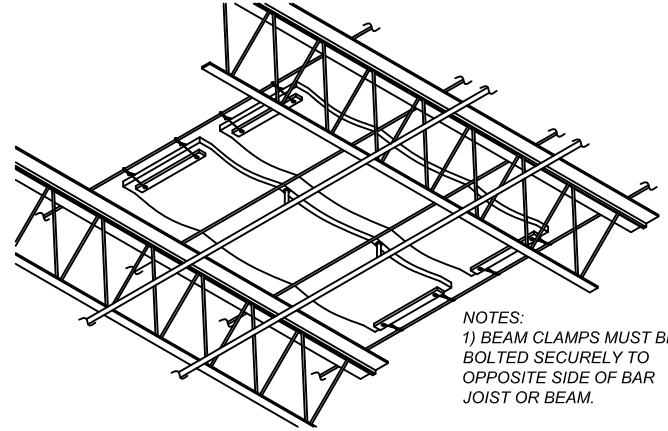
Revised: 2025-04-30

AlphaFlex® Ceiling Banner

L-01a Attachment to Beams or Bar Joists with Cable Ends Above Sprinkler System

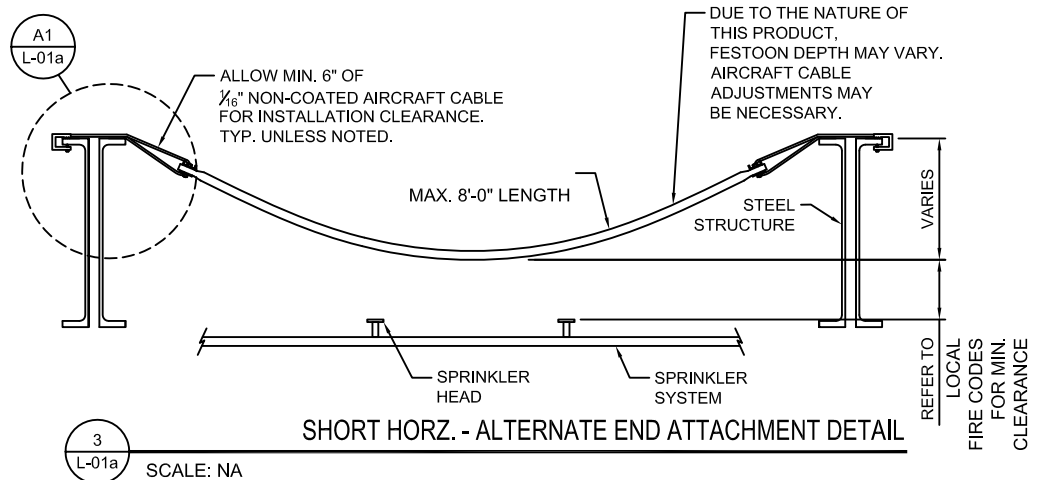
NOTES:

- 1) THE 1/16" AIRCRAFT CABLE STATIC LOAD JOIST RATING IS 480 LBS (7 X 7).
- 2) THE 1/4" AIRCRAFT CABLE STATIC LOAD JOIST RATING IS 6100 LBS (7 X 7)
- 3) DUE TO THE NATURE OF THIS PRODUCT, FESTOON DEPTH MAY VARY. ADJUSTMENTS MAY BE NECESSARY.
- 4) SUPPORT CABLE TO BE PLACED 4'-0" ON CENTER FOR BEST AESTHETIC APPEAL.
- 5) VARYING FROM THE 4'-0" ON CENTER DIMENSION CAN RESULT IN SAGGING OF MATERIAL.
- 6) ARE INSTALLED PERPENDICULAR TO CABLES AND ARE ANCHORED AT ENDS USING AIRCRAFT CABLE.
- 7) NUMBER OF SUPPORT CABLES VARY DEPENDING ON LENGTH
- 8) PERFORATED SIDE TO FACE DOWN.



2 HORZ. - TYP. ATTACHMENT DETAIL
SCALE: NA

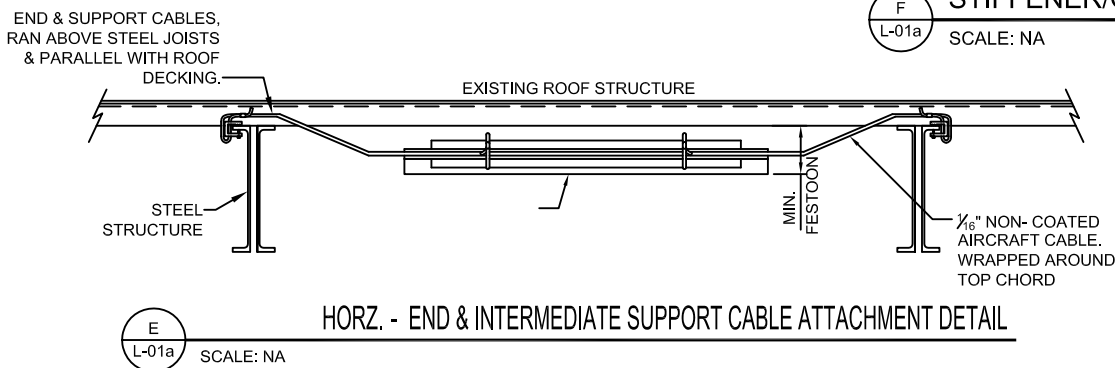
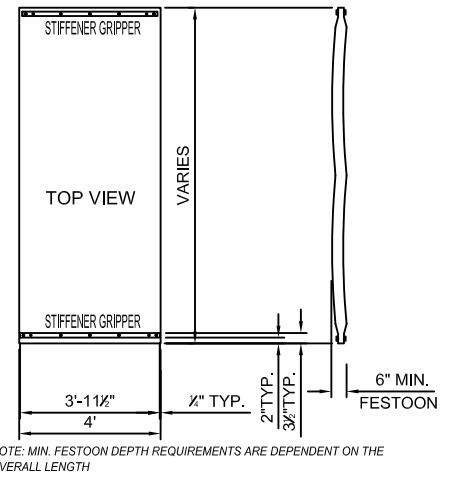
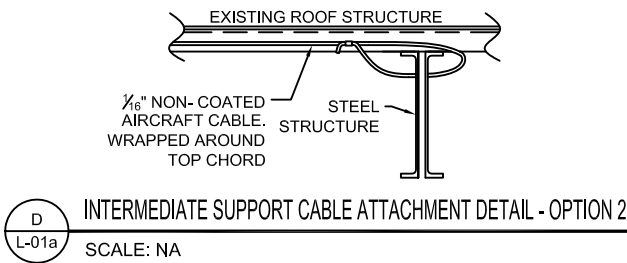
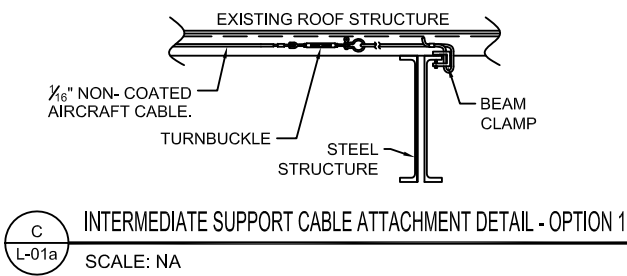
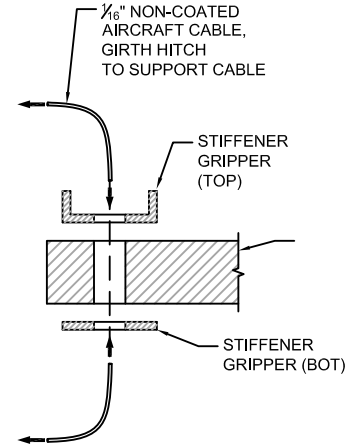
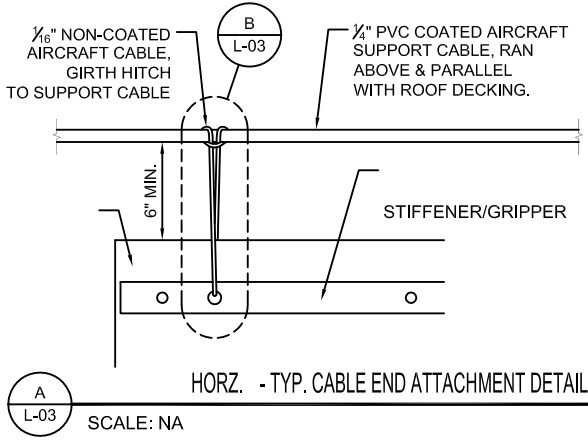
NOTE:
DETAIL DRAWN TO SHOW SUSPENSION ATTACHMENTS ONLY. IT IS NOT REPRESENTATIVE OF AN ACTUAL INSTALLATION.



Revised: 2025-04-30

AlphaFlex® Ceiling Banner

L-01a Attachment to Beams or Bar Joists with Cable Ends Above Sprinkler System



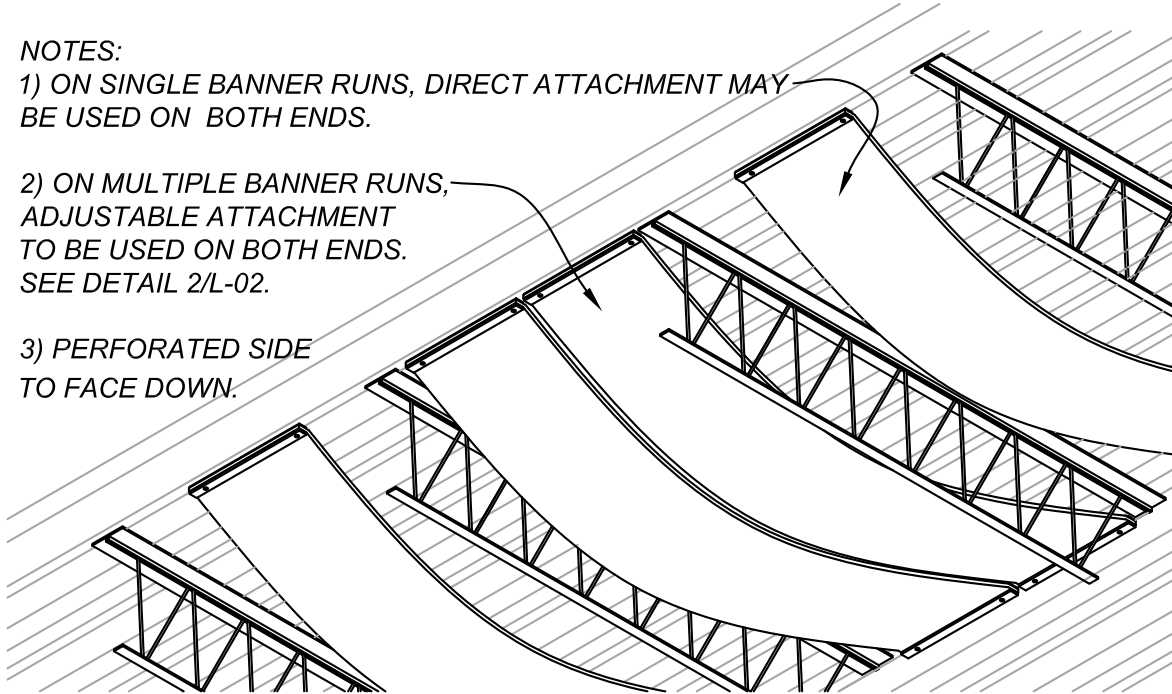
Revised: 2025-04-30

AlphaFlex® Ceiling Banner

L-02 Direct Attachment to Roof Deck

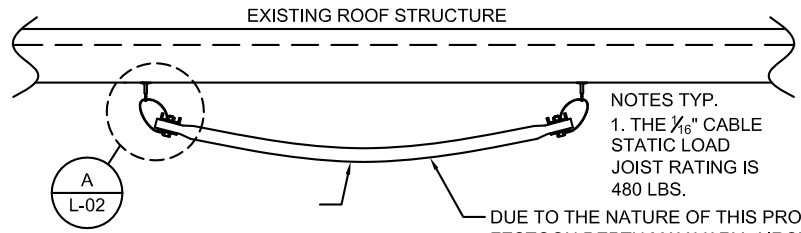
NOTES:

- 1) ON SINGLE BANNER RUNS, DIRECT ATTACHMENT MAY BE USED ON BOTH ENDS.
- 2) ON MULTIPLE BANNER RUNS, ADJUSTABLE ATTACHMENT TO BE USED ON BOTH ENDS. SEE DETAIL 2/L-02.
- 3) PERFORATED SIDE TO FACE DOWN.



1
L-02 VIEW FROM BELOW
SCALE: NA

NOTE:
DETAIL DRAWN TO SHOW SUSPENSION ATTACHMENTS ONLY. IT IS NOT REPRESENTATIVE OF AN ACTUAL INSTALLATION.



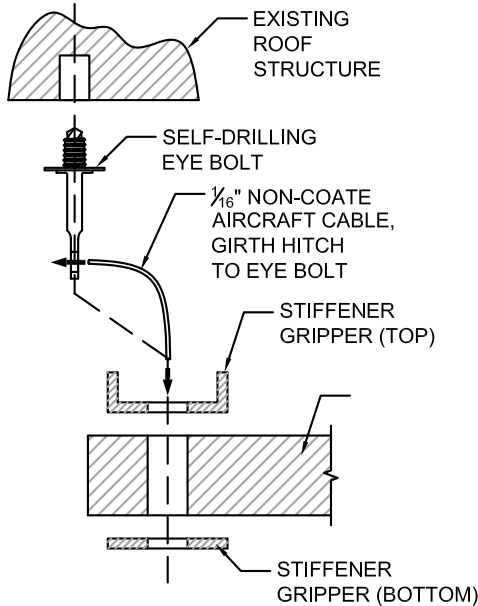
NOTES TYP.
1. THE 1/16" CABLE STATIC LOAD JOIST RATING IS 480 LBS.
DUE TO THE NATURE OF THIS PRODUCT, FESTOON DEPTH MAY VARY. AIRCRAFT CABLE ADJUSTMENTS MAY BE NECESSARY.

2
L-02 HORZ - TYP. END ATTACHMENT DETAIL
SCALE: NA

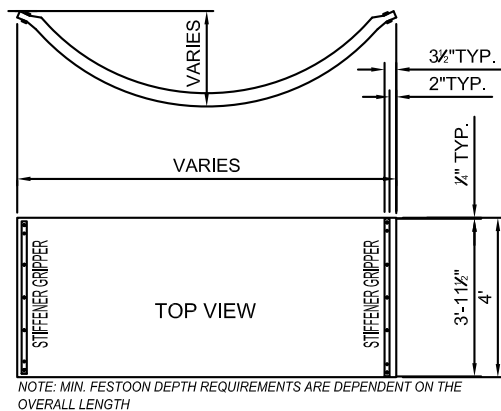
Revised: 2025-04-30

AlphaFlex® Ceiling Banner

L-02 Direct Attachment to Roof Deck



A **HARDWARE ATTACHMENT DETAIL**
L-02 SCALE: NA



NOTE:
FESTOON
DIMENSION RANGES
FROM 30" MIN. TO
8'-0" MAX. DEPENDING
ON THE OVERALL
LENGTH

B **STIFFENER/GRIPPER DETAIL**
L-02 SCALE: NA

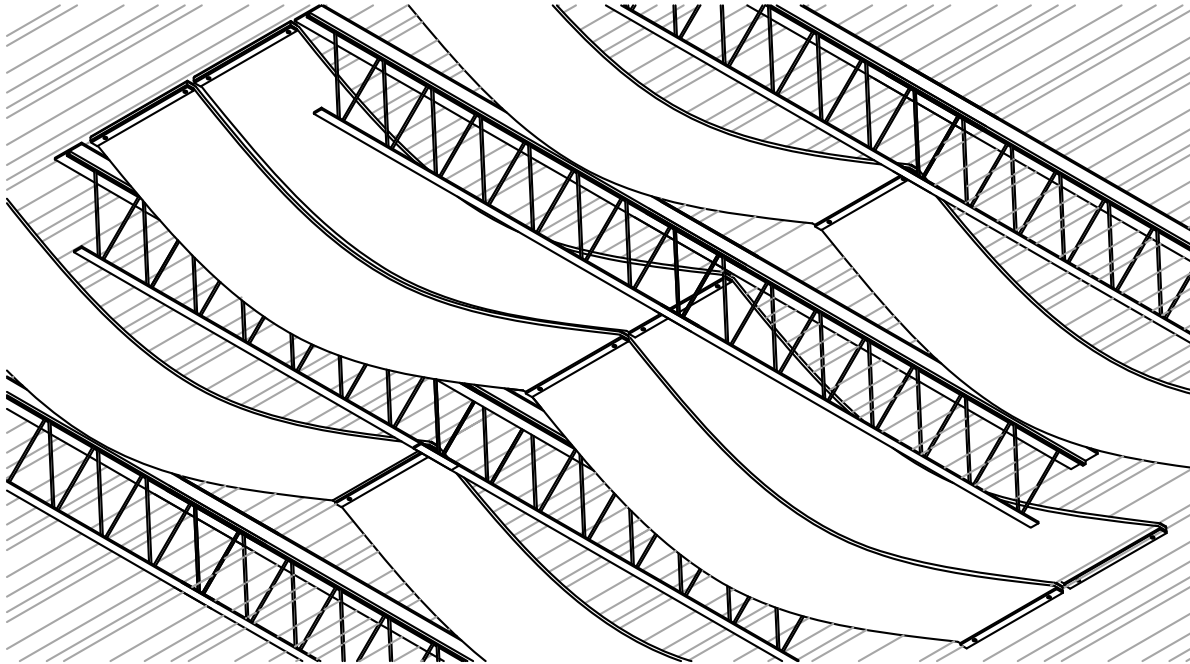
Revised: 2025-04-30

AlphaFlex® Ceiling Banner

L-02a Direct Attachment to Roof Deck w/Stiffeners

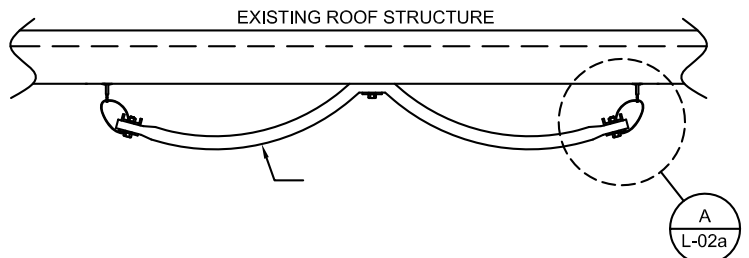
NOTES:

- 1) ON SINGLE BANNER RUNS, DIRECT ATTACHMENT MAY BE USED ON BOTH ENDS.
- 2) ON MULTIPLE BANNER RUNS, ADJUSTABLE ATTACHMENT TO BE USED ON ONE END. SEE DETAIL 2/L-02a.
- 3) PERFORATED SIDE TO FACE DOWN.



1
L-02a VIEW FROM BELOW
SCALE: NA

NOTE:
DETAIL DRAWN TO SHOW SUSPENSION ATTACHMENTS ONLY. IT IS NOT REPRESENTATIVE OF AN ACTUAL INSTALLATION.

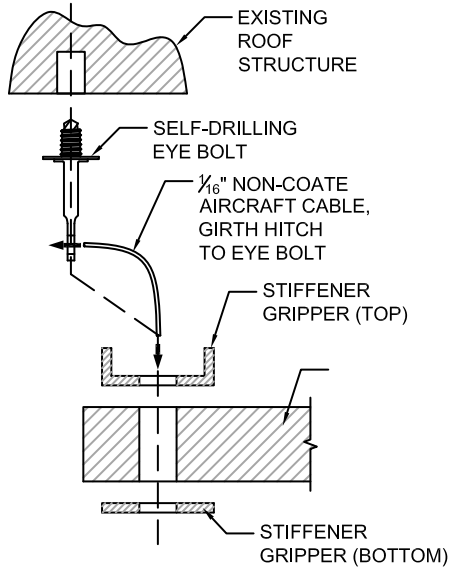


2
L-02a HORZ. - TYP. END ATTACHMENT DETAIL
SCALE: NA

Revised: 2025-04-30

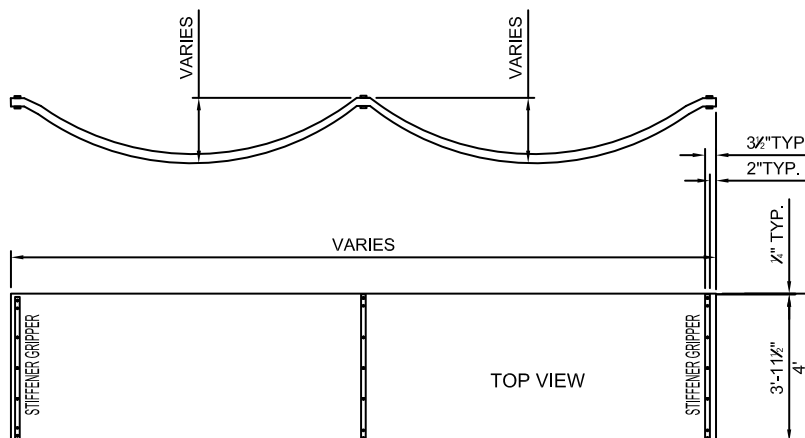
AlphaFlex® Ceiling Banner

L-02a Bar Joist Suspension w/ Cable Support



A HARDWARE ATTACHMENT DETAIL
L-02a SCALE: NA

NOTE:
FESTOON DIMENSION RANGES FROM 30" MIN. TO 8'-0" MAX. DEPENDING ON THE OVERALL LENGTH



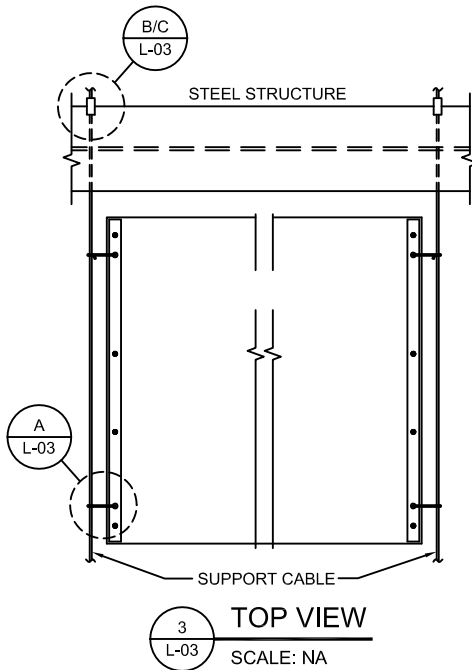
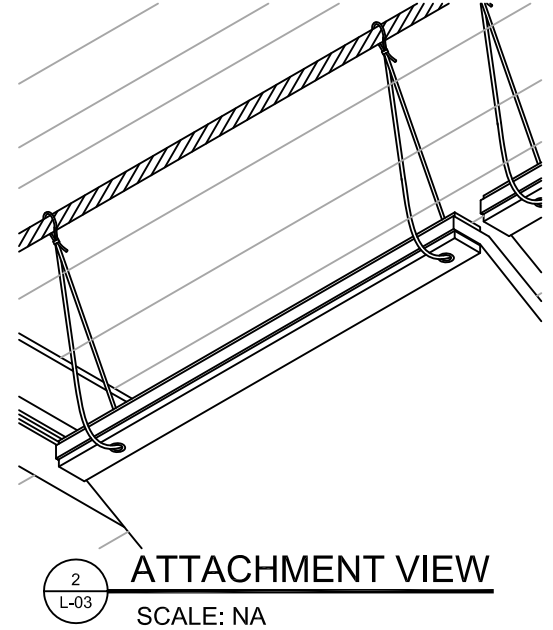
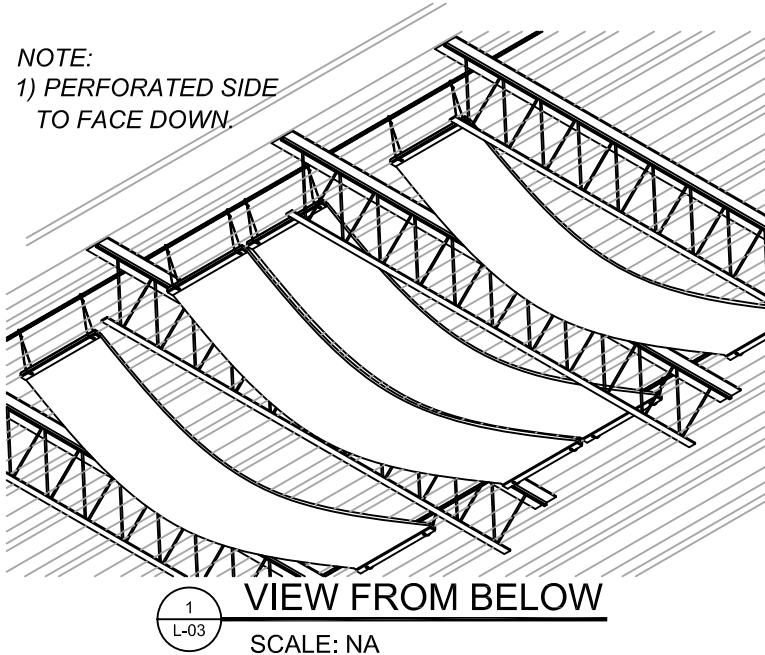
B STIFFENER/GRIPPER DETAIL
L-02a SCALE: NA NOTE: MIN. FESTOON DEPTH REQUIREMENTS ARE DEPENDENT ON THE OVERALL LENGTH

Revised: 2025-04-30

AlphaFlex® Ceiling Banner

L-03 Bar Joist Suspension w/ Cable Support

NOTE:
1) PERFORATED SIDE
TO FACE DOWN.

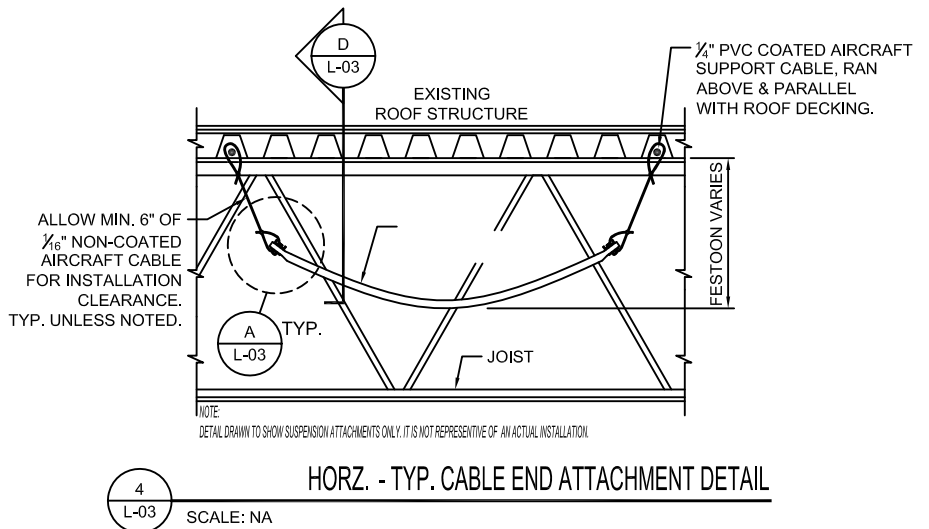


NOTES:

1. THE 1/8" AIRCRAFT CABLE STATIC LOAD JOIST RATING IS 480 LBS (7 X 7).

2. THE 1/4" AIRCRAFT CABLE STATIC LOAD JOIST RATING IS 6100 LBS (7 X 7)

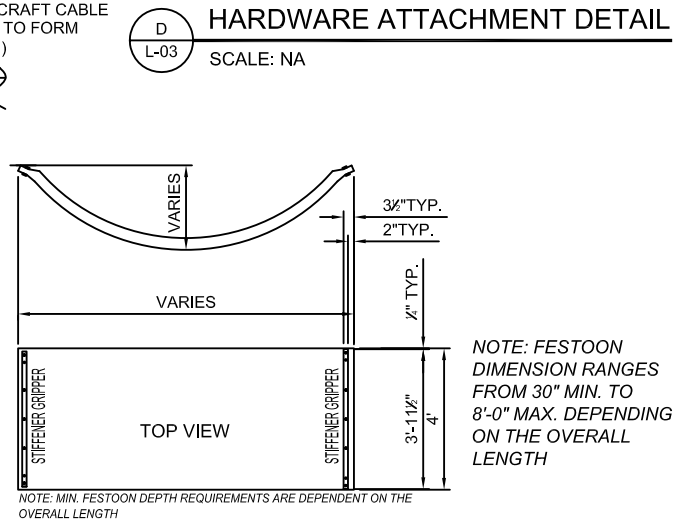
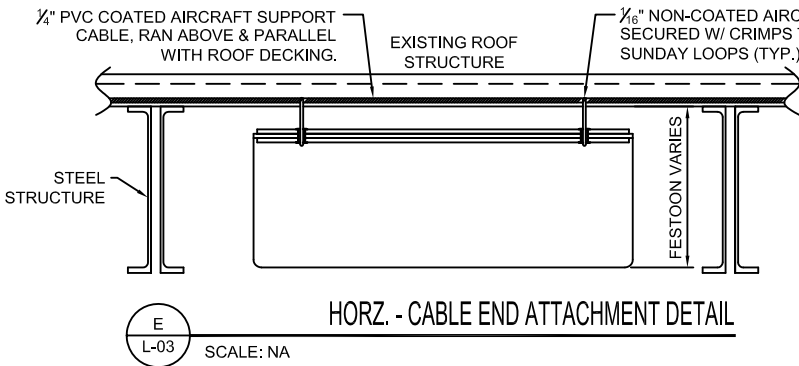
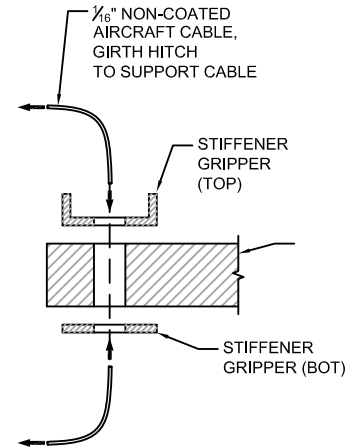
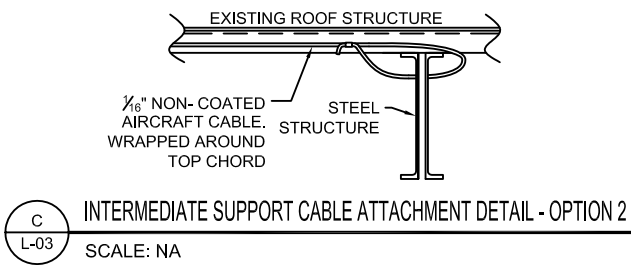
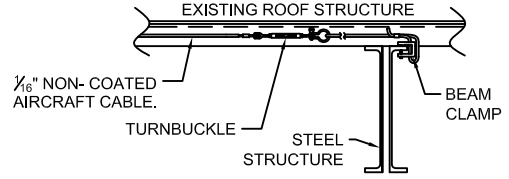
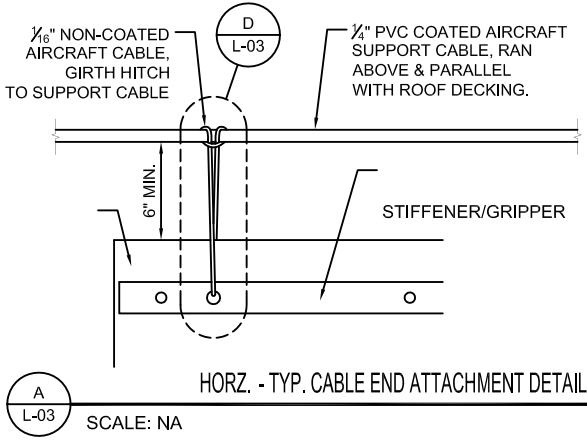
3) DUE TO THE NATURE OF THIS PRODUCT, FESTOON DEPTH MAY VARY. AIRCRAFT CABLE ADJUSTMENTS MAY BE NECESSARY.



Revised: 2025-04-30

AlphaFlex® Ceiling Banner

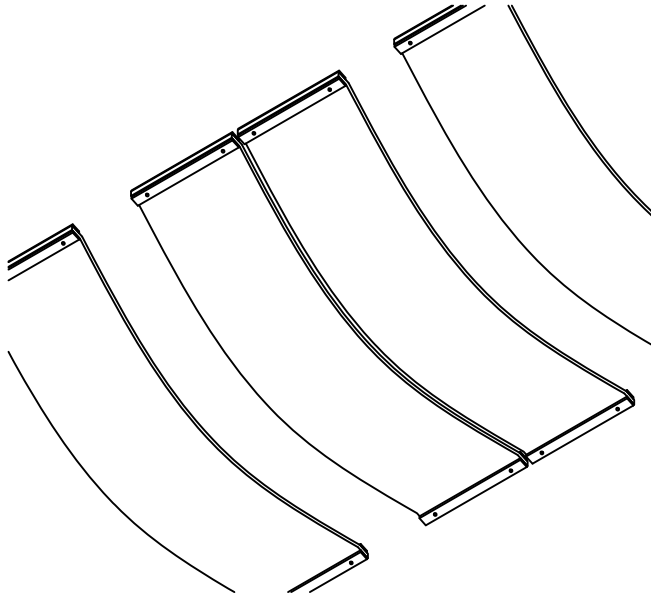
L-03 Bar Joist Suspension w/ Cable Support



Revised: 2025-04-30

AlphaFlex® Ceiling Banner

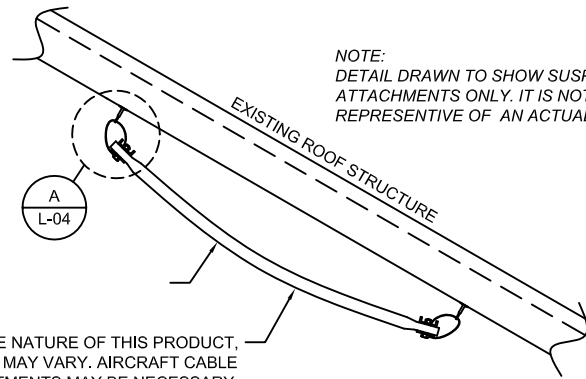
L-04 Sloped Roof Deck Direct Suspension Details



1
L-04
VIEW FROM BELOW
SCALE: NA

NOTES:

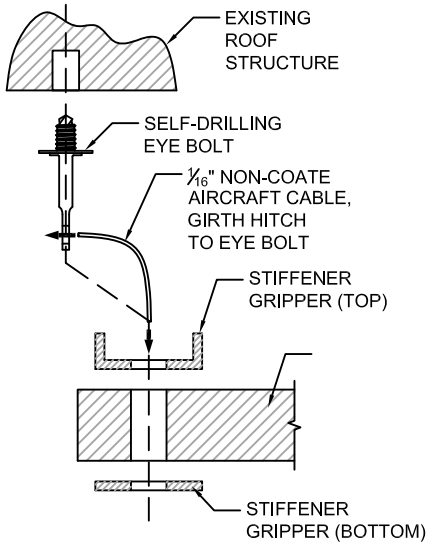
- 1) ON SINGLE BANNER RUNS, DIRECT ATTACHMENT MAY BE USED ON BOTH ENDS.
- 2) ON MULTIPLE BANNER RUNS, ADJUSTABLE ATTACHMENT TO BE USED ON BOTH ENDS.
- 3) PERFORATED SIDE TO FACE DOWN.



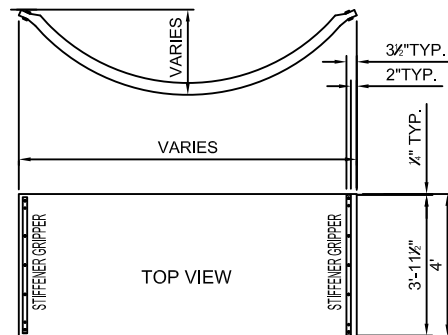
DUE TO THE NATURE OF THIS PRODUCT, FESTOON DEPTH MAY VARY. AIRCRAFT CABLE ADJUSTMENTS MAY BE NECESSARY.

NOTES TYP.
1. THE 1/16" CABLE STATIC LOAD JOIST RATING IS 480 LBS.

2
L-04
HORIZ. - TYP. END ATTACHMENT DETAIL
SCALE: NA



B
L-04
HARDWARE ATTACHMENT DETAIL
SCALE: NA



NOTE: MIN. FESTOON DEPTH REQUIREMENTS ARE DEPENDENT ON THE OVERALL LENGTH

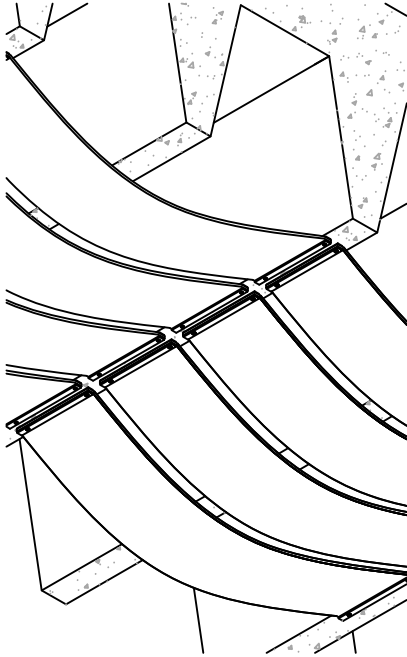
NOTE:
FESTOON DIMENSION RANGES FROM 30" MIN. TO 8'-0" MAX. DEPENDING ON THE OVERALL LENGTH

C
L-04
STIFFENER/GRIPPER DETAIL
SCALE: NA

Revised: 2025-04-30

AlphaFlex® Ceiling Banner

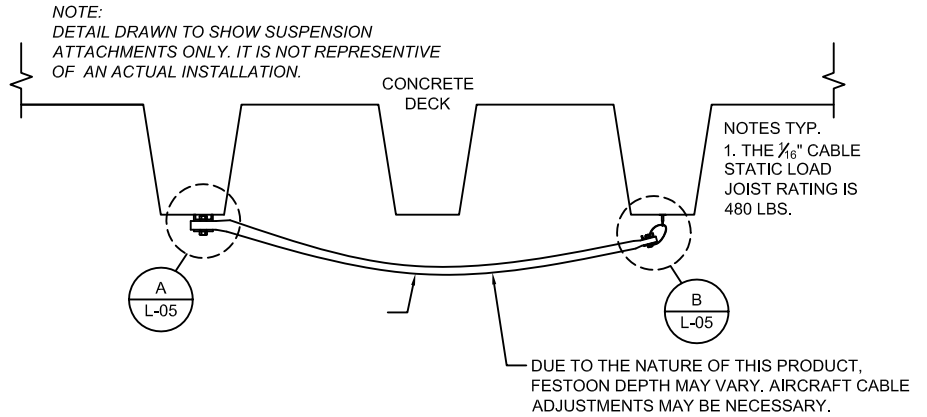
L-05 Direct Perpendicular Concrete Deck Attachment Details



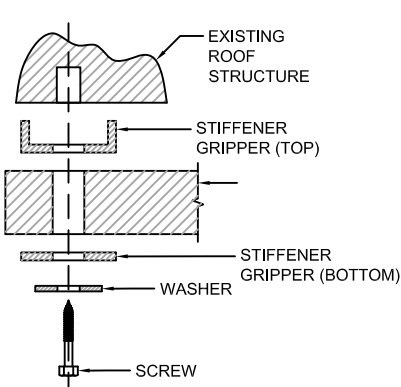
1
L-05
VIEW FROM BELOW
SCALE: NA

NOTES:

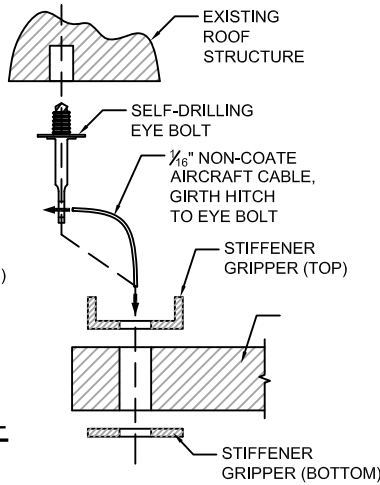
- 1) ON SINGLE BANNER RUNS, DIRECT ATTACHMENT MAY BE USED ON BOTH ENDS.
- 2) ON MULTIPLE BANNER RUNS, ADJUSTABLE ATTACHMENT TO BE USED ON ONE END. SEE DETAIL C/L-05
- 3) PERFORATED SIDE TO FACE DOWN.



2
D-05
HORIZ. - TYP. END ATTACHMENT DETAIL
SCALE: NA

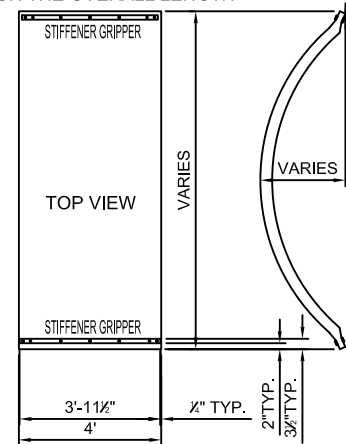


A
L-05
HARDWARE ATTACHMENT DETAIL
SCALE: NA



B
L-05
HARDWARE ATTACHMENT DETAIL
SCALE: NA

NOTE: FESTOON DIMENSION RANGES FROM 30" MIN. TO 8'-0" MAX. DEPENDING ON THE OVERALL LENGTH



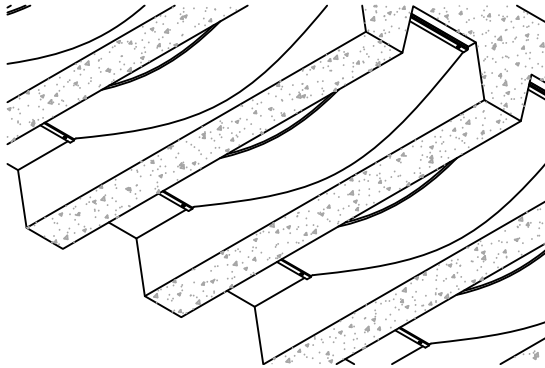
C
L-05
STIFFENER/GRIPPER DETAIL
SCALE: NA

NOTE: MIN. FESTOON DEPTH REQUIREMENTS ARE DEPENDENT ON THE OVERALL LENGTH

Revised: 2025-04-30

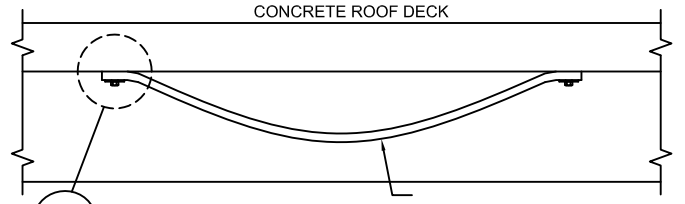
AlphaFlex® Ceiling Banner

L-05a Direct Parallel Concrete Deck Attachment Details



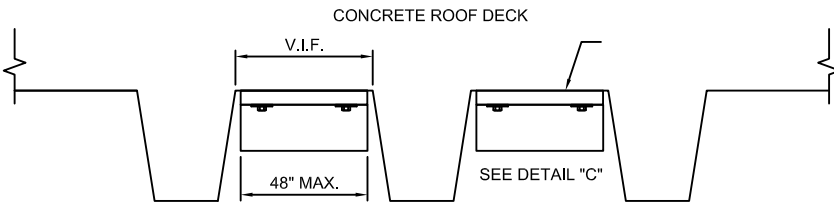
1
L-05a
VIEW FROM BELOW
SCALE: NA

NOTE:
DETAIL DRAWN TO SHOW SUSPENSION ATTACHMENTS ONLY. IT IS NOT REPRESENTATIVE OF AN ACTUAL INSTALLATION.



2
D-05a
CONCRETE ROOF DECK
B
L-05a
TYP.
HORZ. - TYP. END ATTACHMENT DETAIL
SCALE: NA

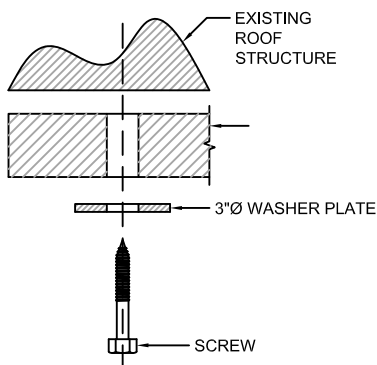
NOTE:
1) CONFIRM COFFER DIMENSIONS PRIOR TO INSTALL.



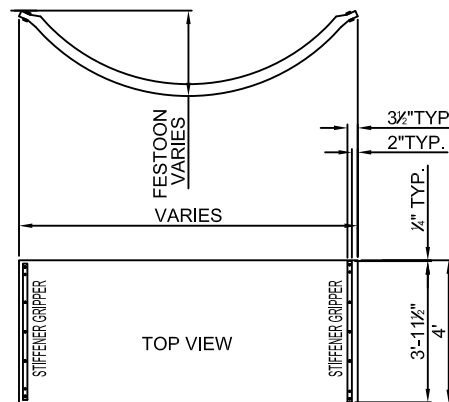
A
D-05a
CONCRETE ROOF DECK
V.I.F.
48" MAX.
SEE DETAIL "C"
HORZ. - TYP. END ATTACHMENT DETAIL
SCALE: NA

NOTES:

- 1) ON SINGLE BANNER RUNS, DIRECT ATTACHMENT MAY BE USED ON BOTH ENDS.
- 2) ON MULTIPLE BANNER RUNS, ADJUSTABLE ATTACHMENT TO BE USED ON ONE END. SEE DETAIL 1/L-05.
- 3) PERFORATED SIDE TO FACE DOWN.



B
L-05a
EXISTING ROOF STRUCTURE
3"Ø WASHER PLATE
SCREW
HARDWARE ATTACHMENT DETAIL
SCALE: NA



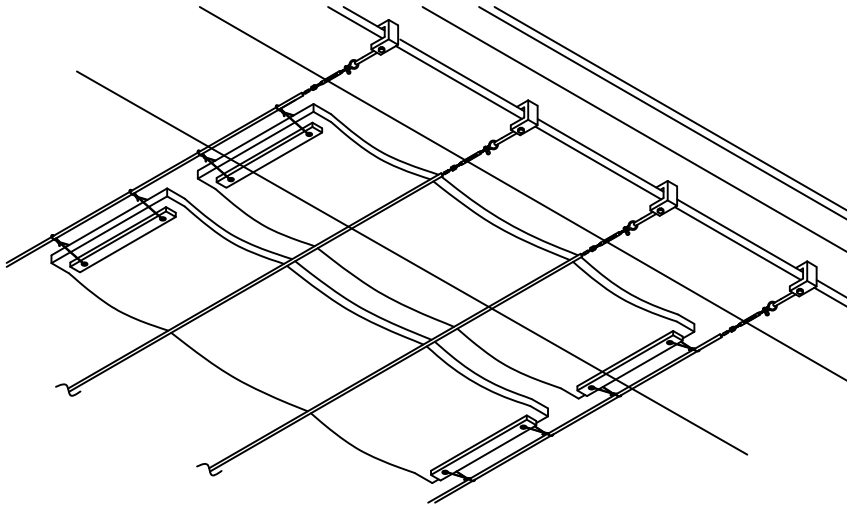
C
L-05a
FESTOON VARIES
VARIES
3/2" TYP.
2" TYP.
1/2" TYP.
3'-11 1/2"
4"
TOP VIEW
STIFFENER GRIPPER
STIFFENER GRIPPER
NOTE: MIN. FESTOON DEPTH REQUIREMENTS ARE DEPENDENT ON THE OVERALL LENGTH
STIFFENER/GRIPPER DETAIL
SCALE: NA

Revised: 2025-04-30

AlphaFlex® Ceiling Banner

L-06 Cable Lay Mount Bottom Chord Attachment Details

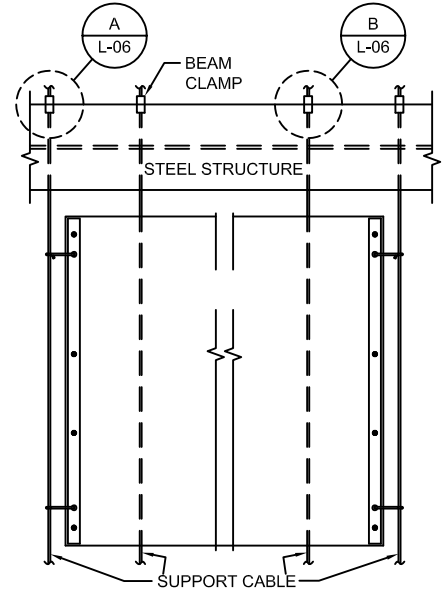
NOTE:
PRODUCT TO HAVE A MIN. 6" FESTOON ON EACH SIDE OF SUPPORT CABLE.



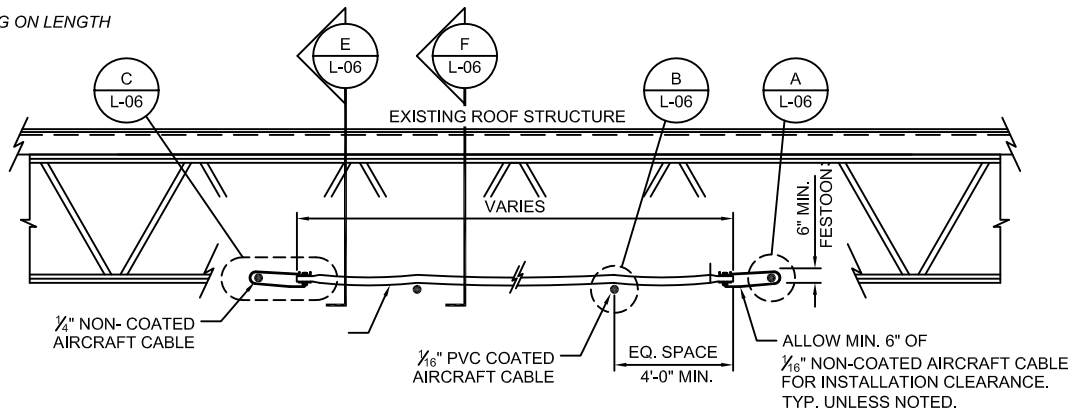
1
L-06 VIEW FROM BELOW
SCALE: NA

NOTES:

- 1) THE 1/16" AIRCRAFT CABLE STATIC LOAD JOIST RATING IS 480 LBS (7 X 7).
- 2) THE 1/4" AIRCRAFT CABLE STATIC LOAD JOIST RATING IS 6100 LBS (7 X 7)
- 3) DUE TO THE NATURE OF THIS PRODUCT, FESTOON DEPTH MAY VARY. ADJUSTMENTS MAY BE NECESSARY.
- 4) SUPPORT CABLE TO BE PLACED 4'-0" ON CENTER FOR BEST AESTHETIC APPEAL.
- 5) VARYING FROM THE 4'-0" ON CENTER DIMENSION CAN RESULT IN SAGGING OF MATERIAL.
- 6) ARE INSTALLED PERPENDICULAR TO CABLES AND ARE ANCHORED AT ENDS USING AIRCRAFT CABLE.
- 7) NUMBER OF SUPPORT CABLES VARY DEPENDING ON LENGTH
- 8) PERFORATED SIDE TO FACE DOWN.



2
L-06 TOP VIEW
SCALE: NA



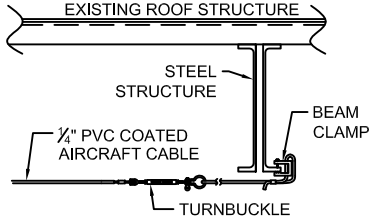
3
L-06 HORZ. - TYP. ATTACHMENT DETAIL
SCALE: NA

NOTE:
DETAIL DRAWN TO SHOW SUSPENSION ATTACHMENTS ONLY. IT IS NOT REPRESENTATIVE OF AN ACTUAL INSTALLATION.

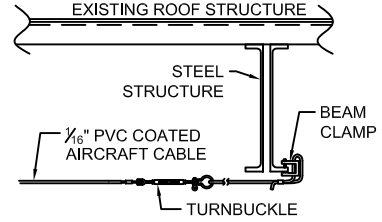
Revised: 2025-04-30

AlphaFlex® Ceiling Banner

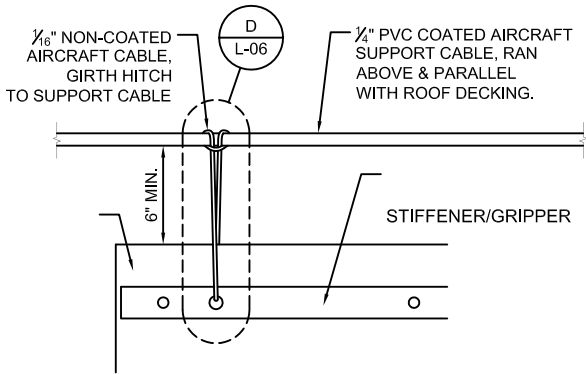
L-06 Cable Lay Mount Bottom Chord Attachment Details



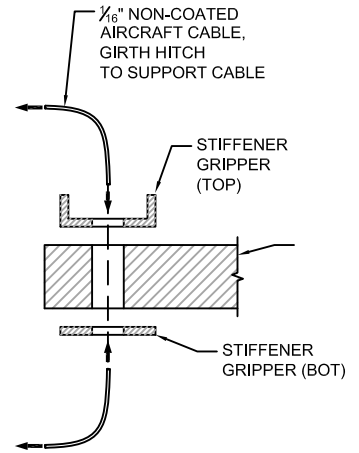
A
L-06
END SUPPORT CABLE ATTACHMENT DETAIL
SCALE: NA



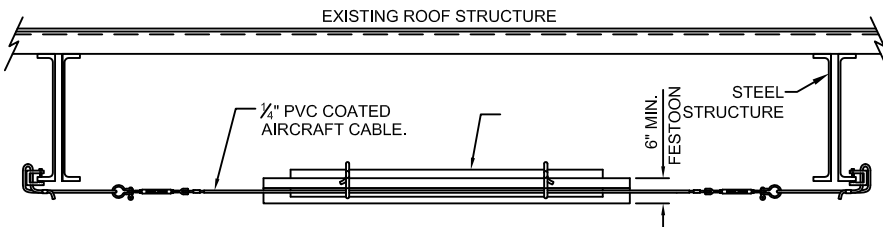
B
L-06
INTERMEDIATE SUPPORT CABLE ATTACHMENT DETAIL
SCALE: NA



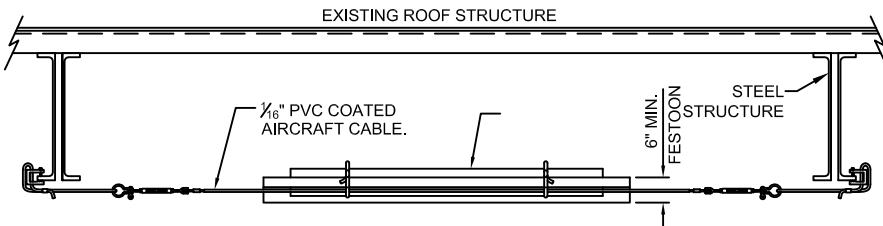
C
L-06
HORZ. - TYP. CABLE END ATTACHMENT DETAIL
SCALE: NA



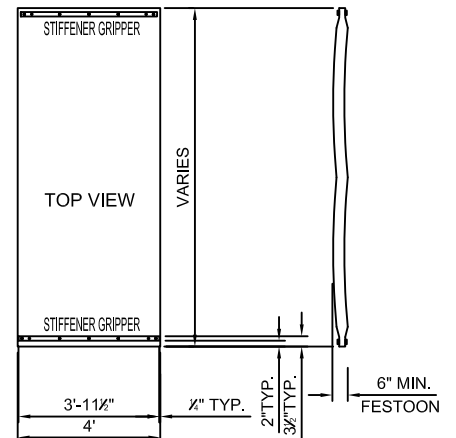
D
L-06
HARDWARE ATTACHMENT DETAIL
SCALE: NA



E
L-06
HORZ. - END SUPPORT CABLE ATTACHMENT DETAIL
SCALE: NA



F
L-06
HORZ. - INTERMEDIATE SUPPORT CABLE ATTACHMENT DETAIL
SCALE: NA



NOTE: MIN. FESTOON DEPTH REQUIREMENTS ARE DEPENDENT ON THE OVERALL LENGTH

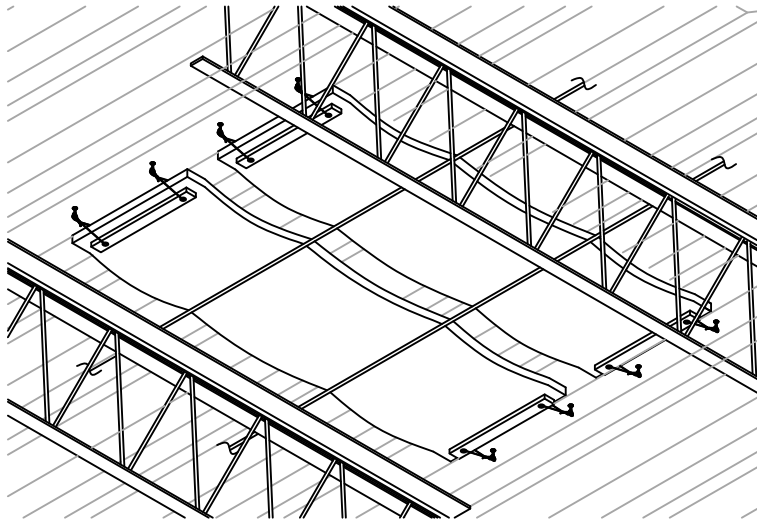
G
L-06
STIFFENER/GRIPPER DETAIL
SCALE: NA

Revised: 2025-04-30

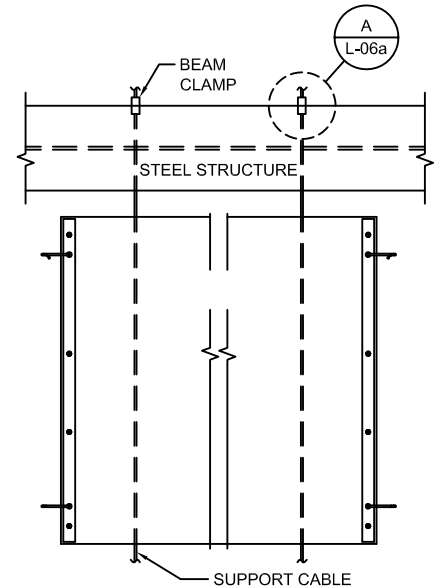
AlphaFlex® Ceiling Banner

L-06a Cable Lay Mount Top Chord w/Support Cable Attachment Details

NOTE:
PRODUCT TO HAVE A MIN. 6" FESTOON ON EACH SIDE OF SUPPORT CABLE.



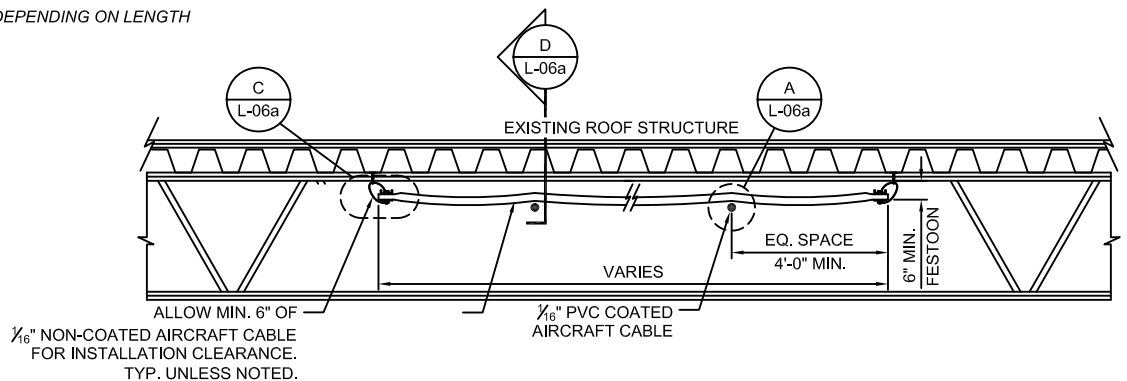
1
L-06a
VIEW FROM BELOW
SCALE: NA



2
L-06a
TOP VIEW
SCALE: NA

NOTES:

- 1) THE 1/16" AIRCRAFT CABLE STATIC LOAD JOIST RATING IS 480 LBS (7 X 7).
- 2) THE 1/4" AIRCRAFT CABLE STATIC LOAD JOIST RATING IS 6100 LBS (7 X 7)
- 3) DUE TO THE NATURE OF THIS PRODUCT, FESTOON DEPTH MAY VARY. ADJUSTMENTS MAY BE NECESSARY.
- 4) SUPPORT CABLE TO BE PLACED 4'-0" ON CENTER FOR BEST AESTHETIC APPEAL.
- 5) VARYING FROM THE 4'-0" ON CENTER DIMENSION CAN RESULT IN SAGGING OF MATERIAL.
- 6) ARE INSTALLED PERPENDICULAR TO CABLES AND ARE ANCHORED AT ENDS USING AIRCRAFT CABLE.
- 7) NUMBER OF SUPPORT CABLES VARY DEPENDING ON LENGTH
- 8) PERFORATED SIDE TO FACE DOWN.



3
L-06a
SCALE: NA

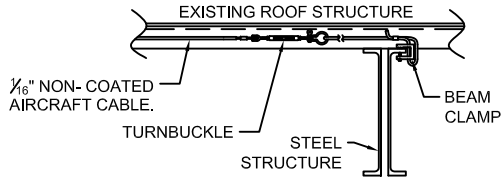
HORZ. - TYP. ATTACHMENT DETAIL

NOTE:
DETAIL DRAWN TO SHOW SUSPENSION ATTACHMENTS ONLY. IT IS NOT REPRESENTATIVE OF AN ACTUAL INSTALLATION.

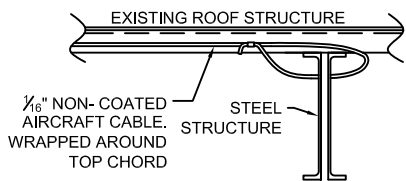
Revised: 2025-04-30

AlphaFlex® Ceiling Banner

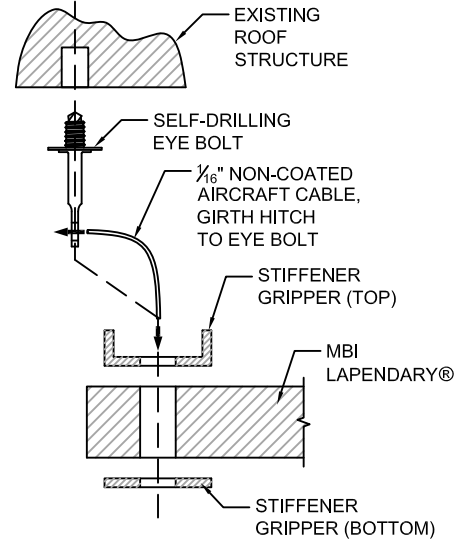
L-06a Cable Lay Mount Top Chord w/Support Cable Attachment Details



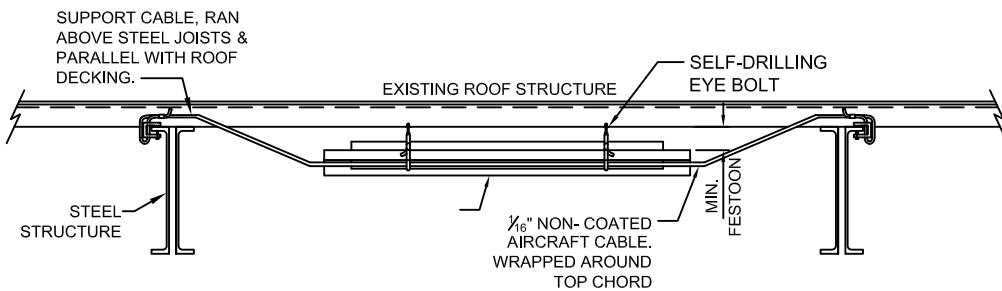
A INTERMEDIATE SUPPORT CABLE ATTACHMENT DETAIL - OPTION 1
L-06a SCALE: NA



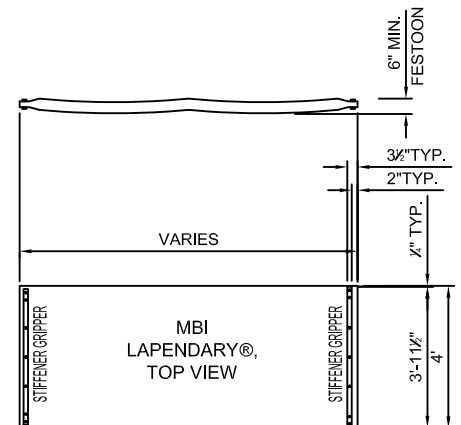
B INTERMEDIATE SUPPORT CABLE ATTACHMENT DETAIL - OPTION 2
L-06a SCALE: NA



C HARDWARE ATTACHMENT DETAIL
L-06a SCALE: NA



D HORZ. - INTERMEDIATE SUPPORT CABLE ATTACHMENT DETAIL
L-06a SCALE: NA



NOTE: MIN. FESTOON DEPTH REQUIREMENTS ARE DEPENDENT ON THE OVERALL LENGTH

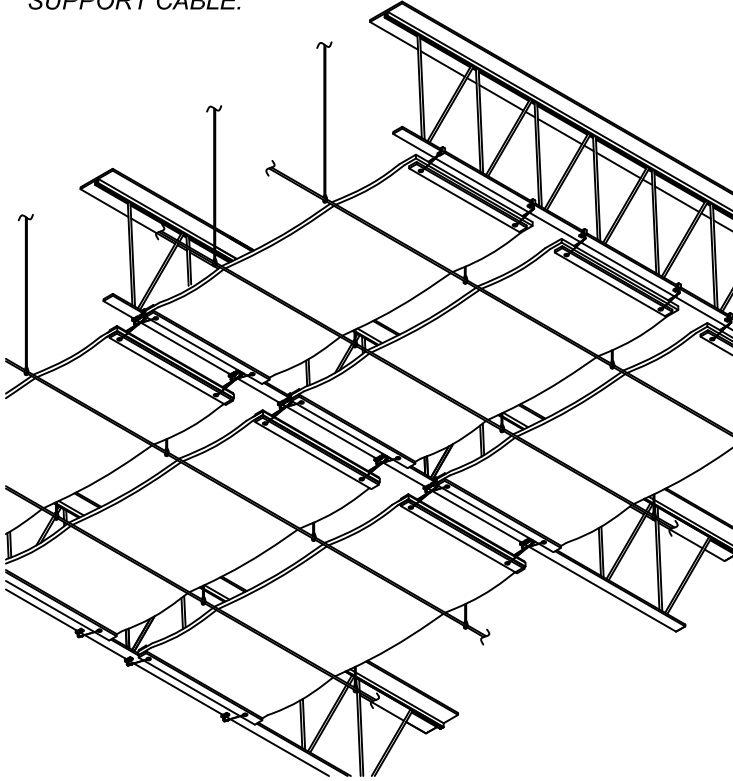
E STIFFENER/GRIPPER DETAIL
L-06a SCALE: NA

Revised: 2025-04-30

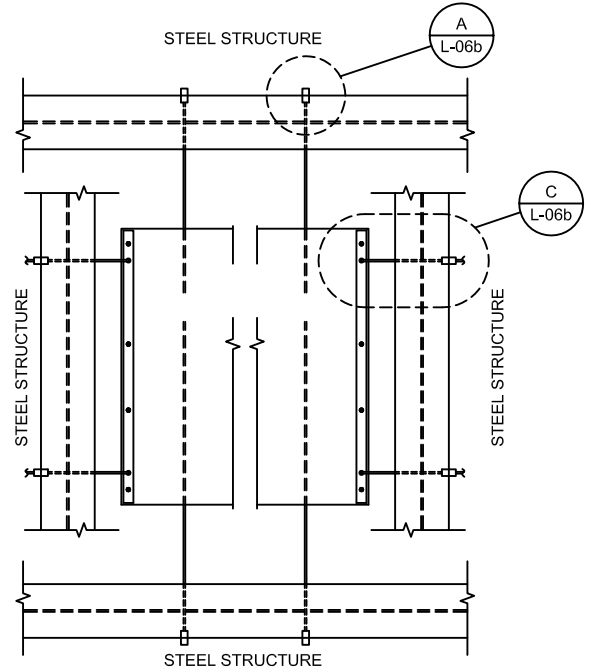
AlphaFlex® Ceiling Banner

L-06b Support Cable Lay Mounting Installation Details

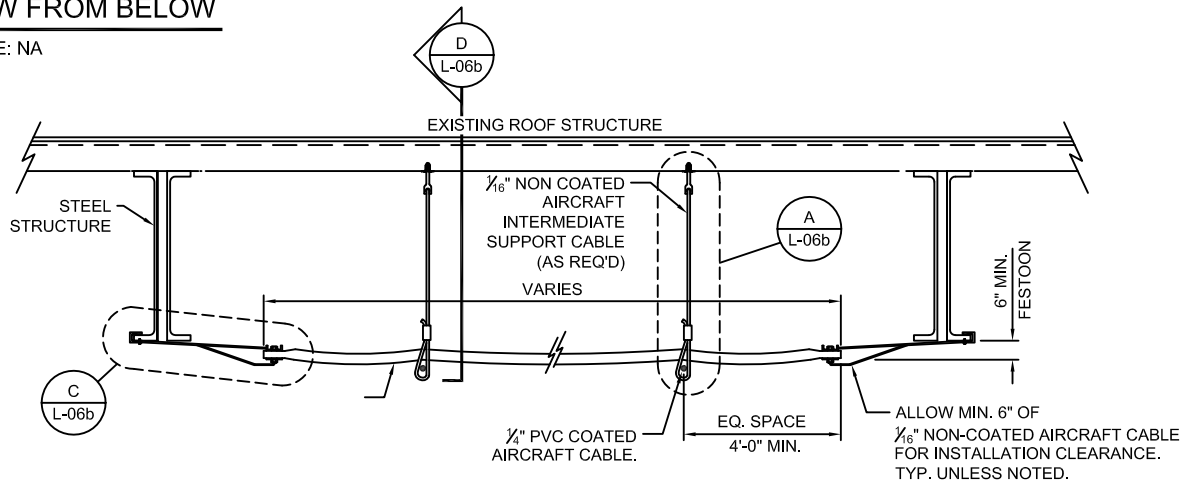
NOTE:
PRODUCT TO HAVE A MIN. 6" FESTOON ON EACH SIDE OF SUPPORT CABLE.



1
L-06b
VIEW FROM BELOW
SCALE: NA



2
L-06b
TOP VIEW
SCALE: NA

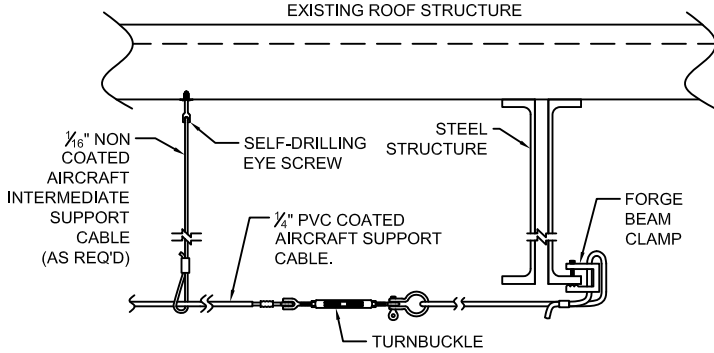


3
L-06b
HORIZ. - TYP. ATTACHMENT DETAIL
SCALE: NA
NOTE:
DETAIL DRAWN TO SHOW SUSPENSION ATTACHMENTS ONLY. IT IS NOT REPRESENTATIVE OF AN ACTUAL INSTALLATION.

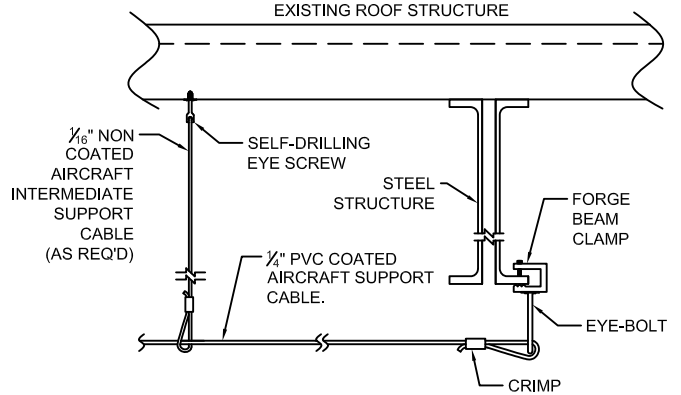
Revised: 2025-04-30

AlphaFlex® Ceiling Banner

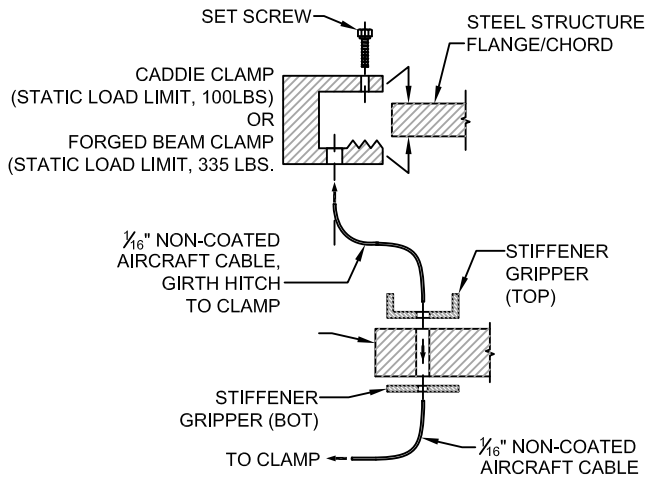
L-06b Support Cable Lay Mounting Installation Details



A INTERMEDIATE SUPPORT CABLE ATTACHMENT DETAIL - OPTION 1
L-06b SCALE: NA



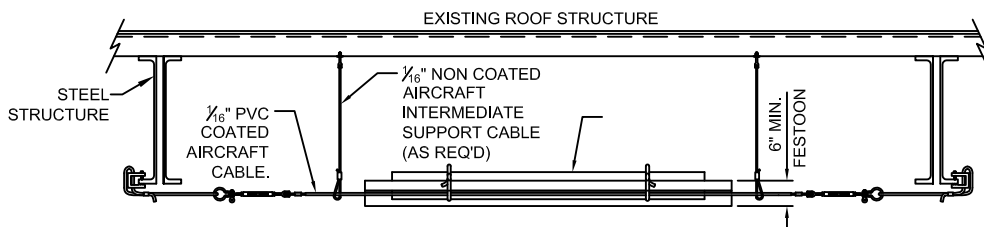
B INTERMEDIATE SUPPORT CABLE ATTACHMENT DETAIL - OPTION 2
L-06b SCALE: NA



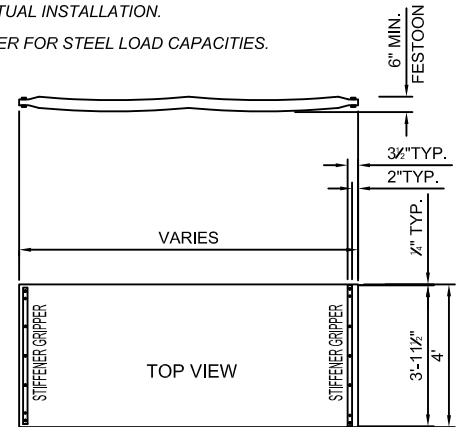
C HARDWARE ATTACHMENT DETAIL
L-06b SCALE: NA

NOTES:

- 1) THE 1/16" AIRCRAFT CABLE STATIC LOAD JOIST RATING IS 480 LBS (7 X 7).
- 2) THE 1/4" AIRCRAFT CABLE STATIC LOAD JOIST RATING IS 6100 LBS (7 X 7)
- 3) DUE TO THE NATURE OF THIS PRODUCT, FESTOON DEPTH MAY VARY. ADJUSTMENTS MAY BE NECESSARY.
- 4) SUPPORT CABLE TO BE PLACED ±4'-0" ON CENTER FOR BEST AESTHETIC APPEAL.
- 5) VARYING FROM THE 4'-0" ON CENTER DIMENSION CAN RESULT IN SAGGING OF MATERIAL.
- 6) ARE INSTALLED PERPENDICULAR TO SUPPORT CABLES AND ARE ANCHORED AT ENDS USING 1/16" NON-COATED AIRCRAFT CABLE.
- 7) NUMBER OF SUPPORT CABLES VARY DEPENDING ON LENGTH
- 8) PERFORATED SIDE TO FACE DOWN.
- 9) DETAIL DRAWN TO SHOW SUSPENSION ATTACHMENTS ONLY. IT IS NOT REPRESENTATIVE OF AN ACTUAL INSTALLATION.
- 10) CONSULT STRUCTURAL ENGINEER FOR STEEL LOAD CAPACITIES.



D HORZ - INTERMEDIATE SUPPORT CABLE ATTACHMENT DETAIL
L-06b SCALE: NA



NOTE: MIN. FESTOON DEPTH REQUIREMENTS ARE DEPENDENT ON THE OVERALL LENGTH

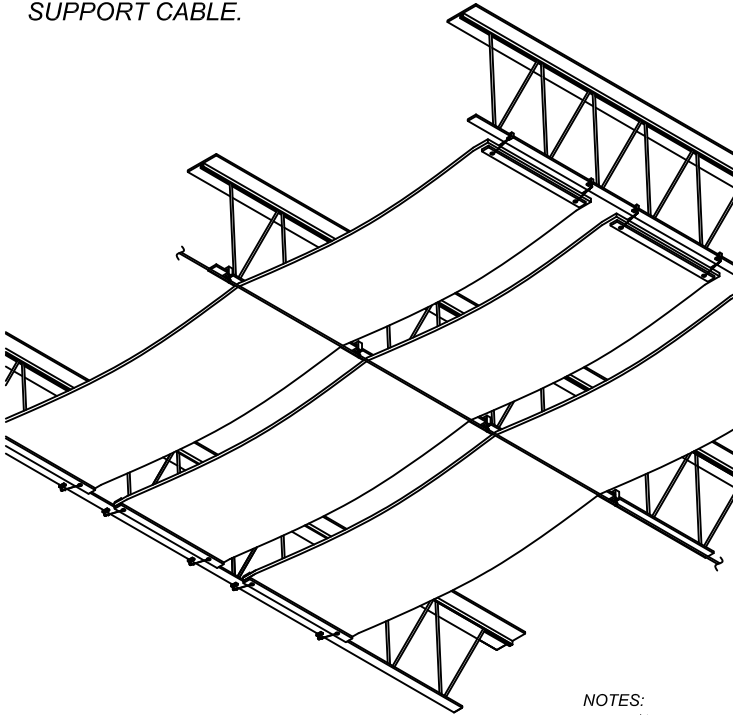
E STIFFENER/GRIPPER DETAIL
L-06b SCALE: NA

Revised: 2025-04-30

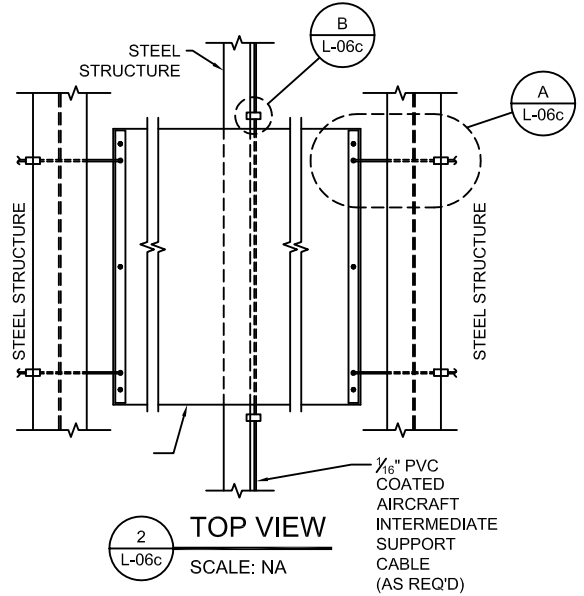
AlphaFlex® Ceiling Banner

L-06c Direct Attach & Support Cable Lay Mounting Installation Details

NOTE:
PRODUCT TO HAVE A MIN. 6" FESTOON ON EACH SIDE OF SUPPORT CABLE.

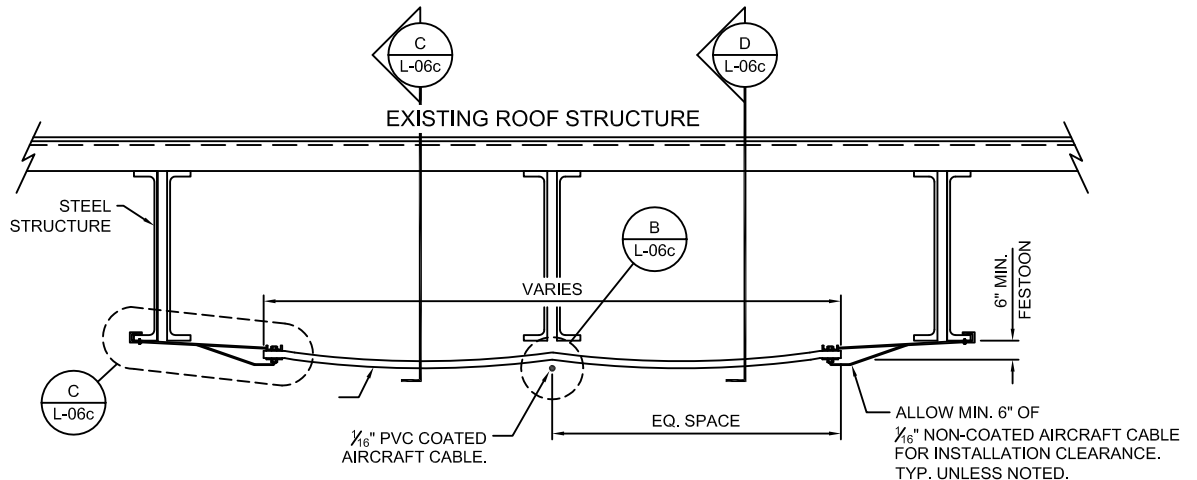


1
L-06c
VIEW FROM BELOW
SCALE: NA



2
L-06c
TOP VIEW
SCALE: NA

NOTES:
1. THE 1/8" AIRCRAFT CABLE STATIC LOAD JOIST RATING IS 480 LBS (7 X 7).
2) DUE TO THE NATURE OF THIS PRODUCT, FESTOON DEPTH MAY VARY. ADJUSTMENTS MAY BE NECESSARY.



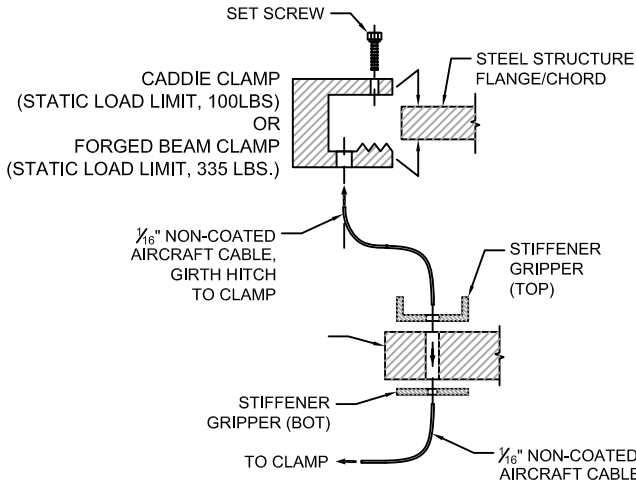
3
L-06c
HORZ. - TYP. ATTACHMENT DETAIL
SCALE: NA

NOTE:
DETAIL DRAWN TO SHOW SUSPENSION ATTACHMENTS ONLY. IT IS NOT REPRESENTATIVE OF AN ACTUAL INSTALLATION.

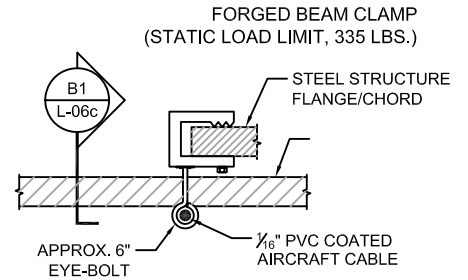
Revised: 2025-04-30

AlphaFlex® Ceiling Banner

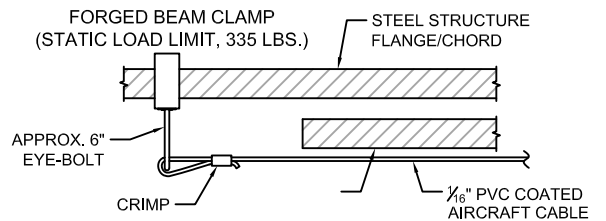
L-06c Direct Attach & Support Cable Lay Mounting Installation Details



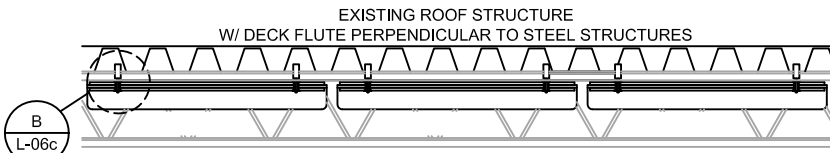
A **HARDWARE ATTACHMENT DETAIL**
L-06c SCALE: NA



B **HARDWARE ATTACHMENT DETAIL**
L-06c SCALE: NA

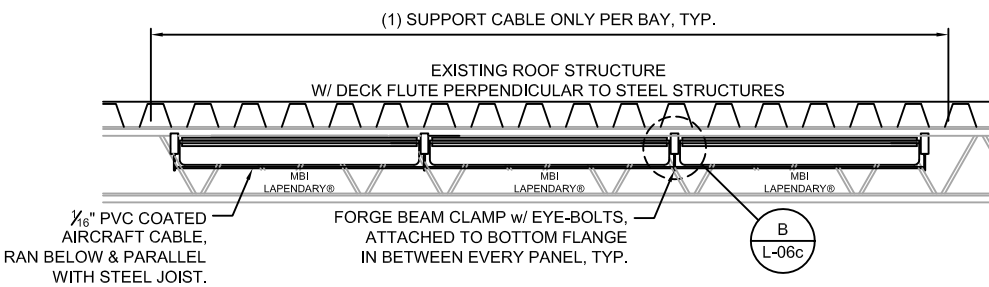


B1 **HARDWARE ATTACHMENT DETAIL**
L-06c SCALE: NA



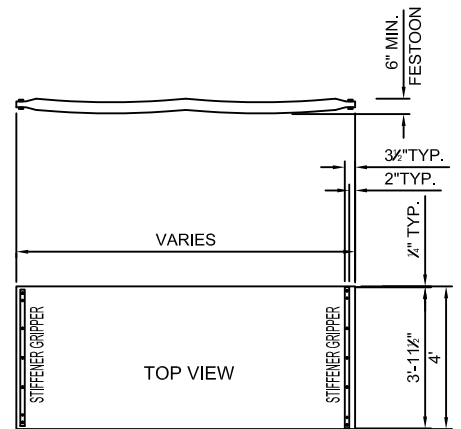
C **END CABLE ATTACHMENT DETAIL**
L-06c SCALE: NA

NOTE:
DETAIL DRAWN TO SHOW
SUSPENSION ATTACHMENTS
ONLY. IT IS NOT REPRESENTATIVE
OF AN ACTUAL INSTALLATION.



D **SUPPORT CABLE ATTACHMENT DETAIL**
L-06c SCALE: NA

NOTE:
DETAIL DRAWN TO SHOW
SUSPENSION ATTACHMENTS
ONLY. IT IS NOT REPRESENTATIVE
OF AN ACTUAL INSTALLATION.



NOTE: MIN. FESTOON DEPTH REQUIREMENTS ARE DEPENDENT ON THE OVERALL LENGTH

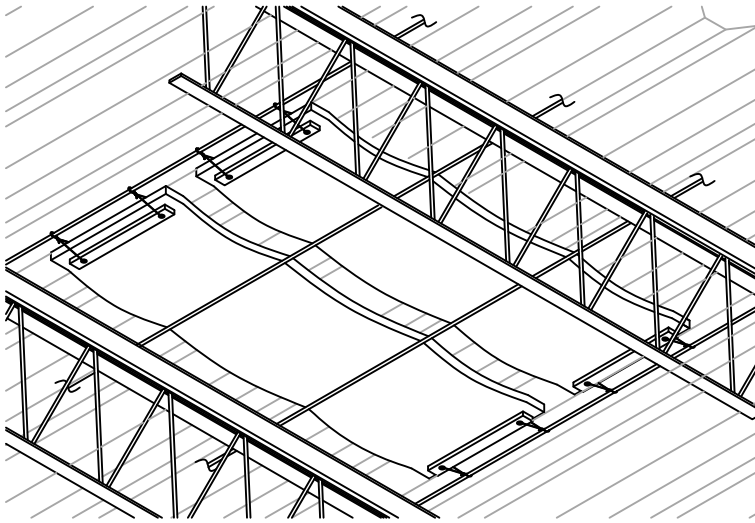
E **STIFFENER/GRIPPER DETAIL**
L-06c SCALE: NA

Revised: 2025-04-30

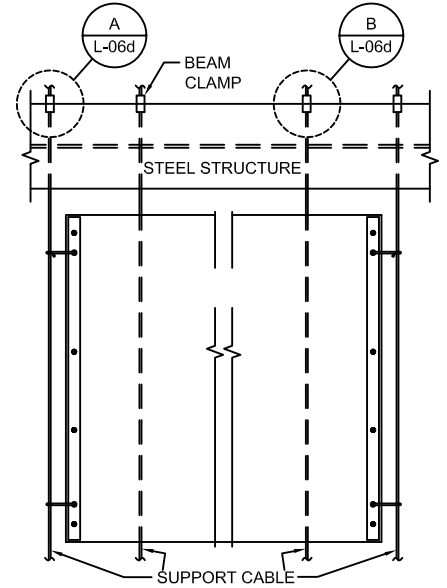
AlphaFlex® Ceiling Banner

L-06d Cable Lay Mount Top Chord w/End & Support Cable Attachment Details

NOTE:
PRODUCT TO HAVE A MIN. 6" FESTOON ON EACH SIDE OF SUPPORT CABLE.



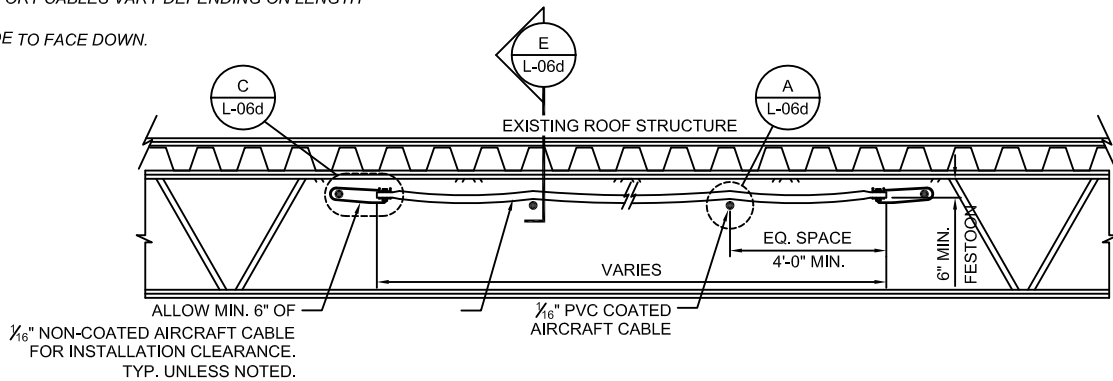
1 VIEW FROM BELOW
SCALE: NA



2 TOP VIEW
SCALE: NA

NOTES:

- 1) THE 1/8" AIRCRAFT CABLE STATIC LOAD JOIST RATING IS 480 LBS (7 X 7).
- 2) THE 1/4" AIRCRAFT CABLE STATIC LOAD JOIST RATING IS 6100 LBS (7 X 7)
- 3) DUE TO THE NATURE OF THIS PRODUCT, FESTOON DEPTH MAY VARY. ADJUSTMENTS MAY BE NECESSARY.
- 4) SUPPORT CABLE TO BE PLACED 4'-0" ON CENTER FOR BEST AESTHETIC APPEAL.
- 5) ARE INSTALLED PERPENDICULAR TO CABLES AND ARE ANCHORED AT ENDS USING AIRCRAFT CABLE.
- 6) NUMBER OF SUPPORT CABLES VARY DEPENDING ON LENGTH
- 7) PERFORATED SIDE TO FACE DOWN.



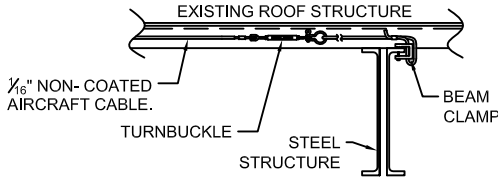
3 HORZ. - TYP. ATTACHMENT DETAIL
SCALE: NA

NOTE:
DETAIL DRAWN TO SHOW SUSPENSION ATTACHMENTS ONLY. IT IS NOT REPRESENTATIVE OF AN ACTUAL INSTALLATION.

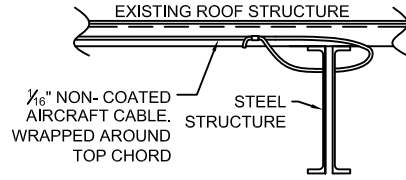
Revised: 2025-04-30

AlphaFlex® Ceiling Banner

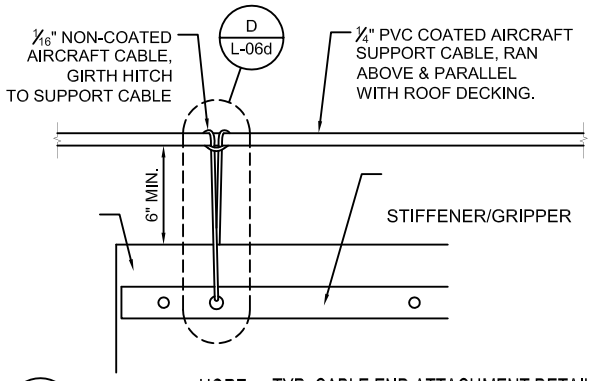
L-06d Cable Lay Mount Top Chord w/End & Support Cable Attachment Details



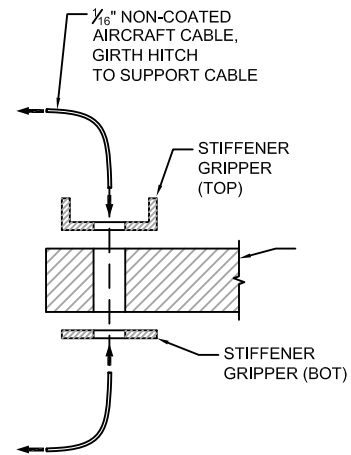
A
L-06d INTERMEDIATE SUPPORT CABLE ATTACHMENT DETAIL - OPTION 1
SCALE: NA



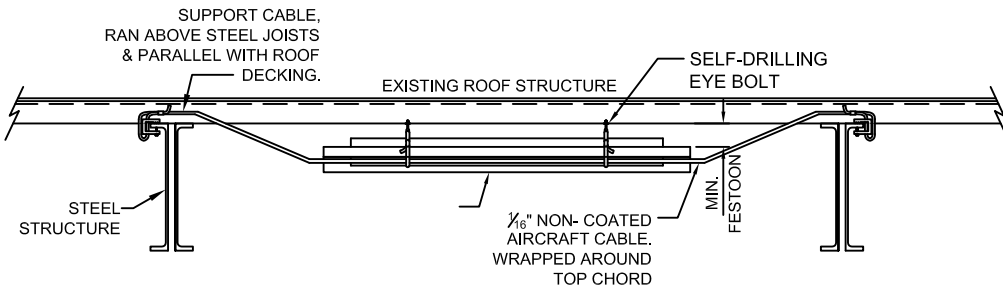
B
L-06d INTERMEDIATE SUPPORT CABLE ATTACHMENT DETAIL - OPTION 2
SCALE: NA



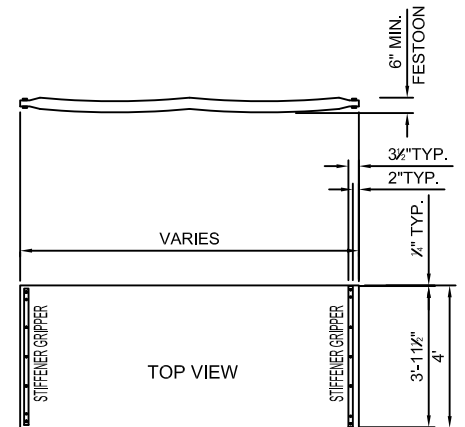
C
L-06d HORZ. - TYP. CABLE END ATTACHMENT DETAIL
SCALE: NA



D
L-06d HARDWARE ATTACHMENT DETAIL
SCALE: NA



E
L-06d HORZ. - INTERMEDIATE SUPPORT CABLE ATTACHMENT DETAIL
SCALE: NA



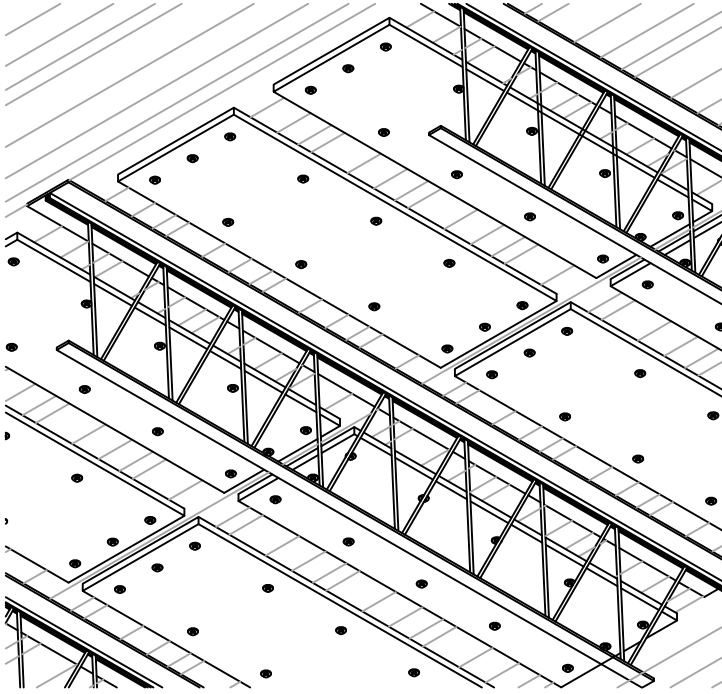
NOTE: MIN. FESTOON DEPTH REQUIREMENTS ARE DEPENDENT ON THE OVERALL LENGTH

F
L-06d STIFFENER/GRIPPER DETAIL
SCALE: NA

Revised: 2025-04-30

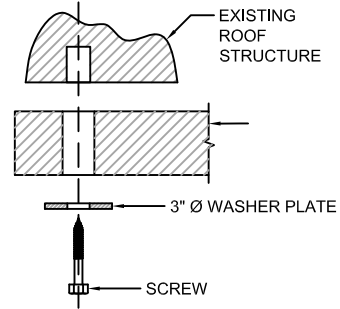
AlphaFlex® Ceiling Banner

L-07 Washer Plate Attachment to Roof Deck Details

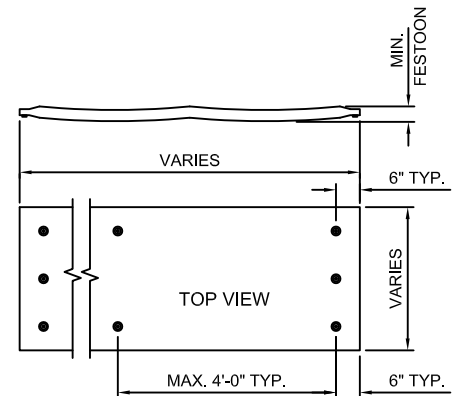


1
L-07
VIEW FROM BELOW
SCALE: NA

NOTES:
 1) 1/L-07 ILLUSTRATES A SNUG ATTACHMENT OF LAPENDARY® PANELS USING 3"Ø COLOR-MATCHED WASHER PLATES FASTENED DIRECTLY TO THE UNDERSIDE OF A DECK OR CEILING.
 THERE IS APPROXIMATELY 3" OF FESTOON BETWEEN 4'-0" ON CENTER ATTACHMENT POINTS.
 PERFORATED SIDE TO FACE DOWN.

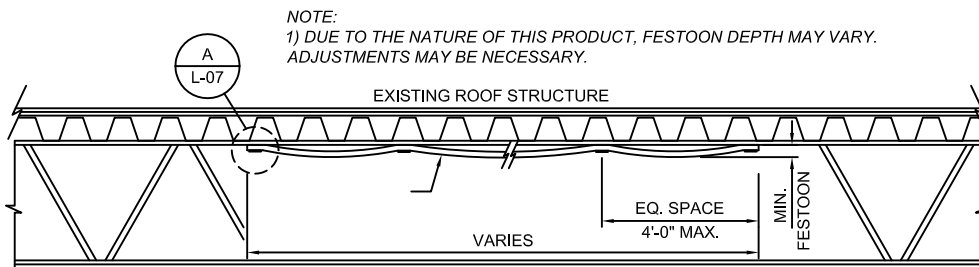


A
L-07
HARDWARE ATTACHMENT DETAIL
SCALE: NA



NOTE: MIN. FESTOON DEPTH REQUIREMENTS ARE DEPENDENT ON THE OVERALL LENGTH

B
L-07
WASHER PLATE DETAIL
SCALE: NA

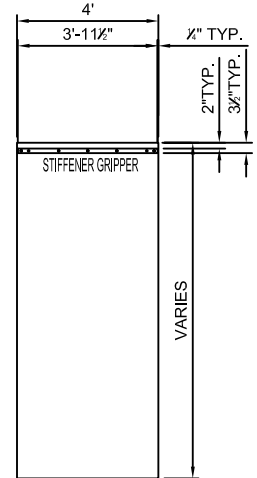
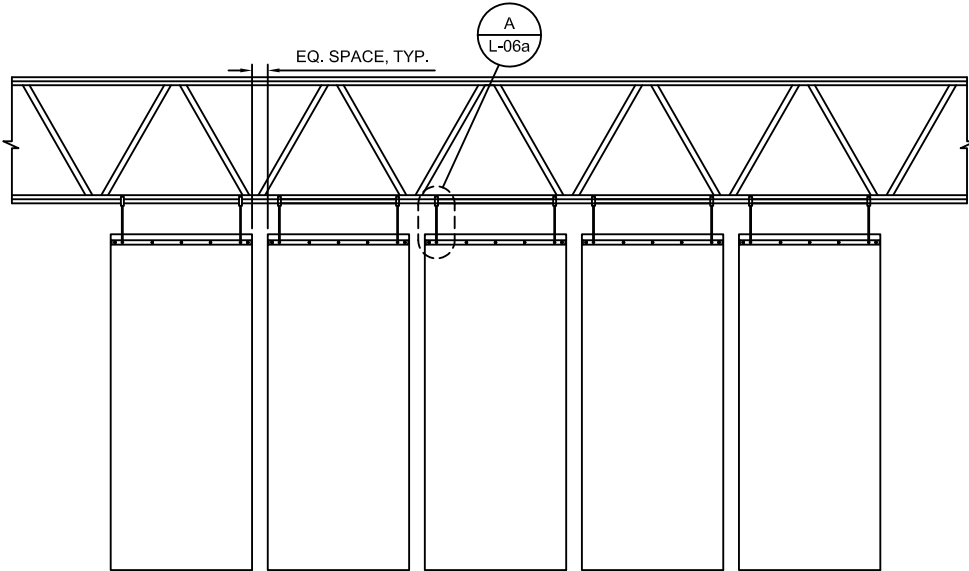


2
L-07
HORIZ. - TYP. ATTACHMENT DETAIL
SCALE: NA
 NOTE:
 1) DUE TO THE NATURE OF THIS PRODUCT, FESTOON DEPTH MAY VARY. ADJUSTMENTS MAY BE NECESSARY.
 DETAIL DRAWN TO SHOW SUSPENSION ATTACHMENTS ONLY. IT IS NOT REPRESENTATIVE OF AN ACTUAL INSTALLATION.

Revised: 2025-04-30

AlphaFlex® Ceiling Banner

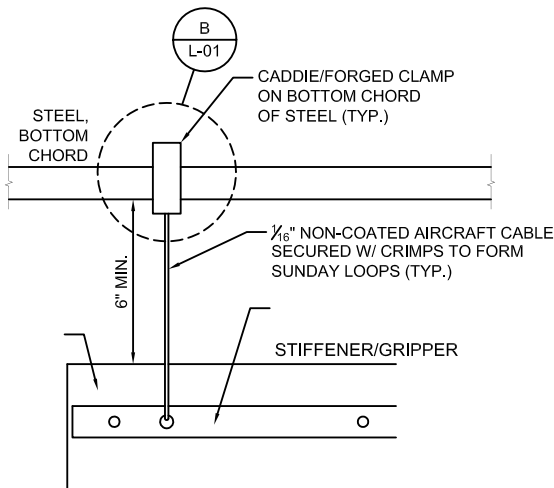
L-08 Attachment Details



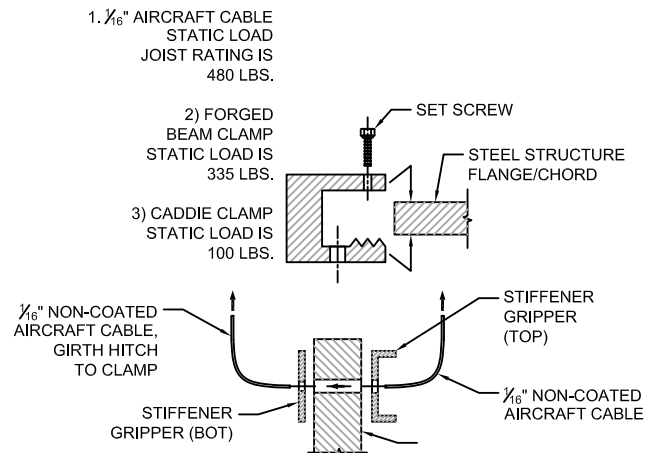
C
L-08 **STIFFENER/GRIPPER DETAIL**
SCALE: NA

1
L-08 **VERT. - TYP. ATTACHMENT DETAIL**
SCALE: NA

NOTE:
DETAIL DRAWN TO SHOW SUSPENSION ATTACHMENTS ONLY. IT IS NOT REPRESENTATIVE OF AN ACTUAL INSTALLATION.



A
L-08 **VERT. - TYP. BOTTOM CHORD ATTACHMENT DETAIL**
SCALE: NA



B
L-08 **HARDWARE ATTACHMENT DETAIL**
SCALE: NA

Revised: 2025-04-30