

AlphaPerf® Metal Acoustic Panel



Description

This AlphaPerf® Metal Acoustic Panel is a modular wall unit consisting of a metal frame surrounding a perforated metal skin, with encapsulated acoustical sound absorber. The perforated metal allows sound waves to enter the absorbing material where a portion is transformed from sound energy to heat.

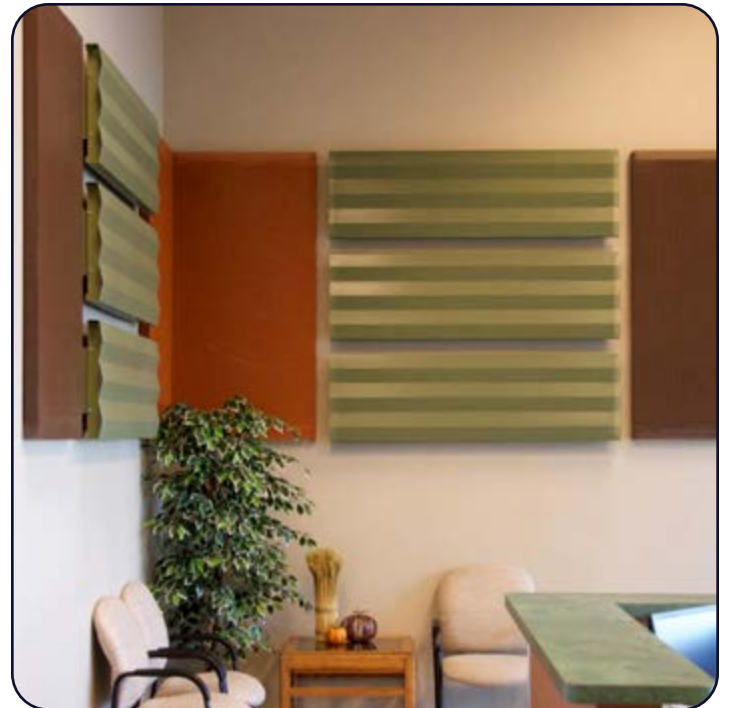
AlphaPerf® Metal Wall Panels are used primarily as a sound absorber in potentially noisy environments such as gymnasiums, swimming pools, pump rooms, and industrial fabrication work areas.

Features

- Elegant aesthetic
- Variety of sizes and colors
- Reduce reverberation and echo
- Impact Resistance
- Improves speech intelligibility

Technical Characteristics

Width:	18", 24", 30"
Height:	12" up to 144" (Flat) 12" up to 126" (V-Groove)
Thickness:	2", 4"
Construction:	22 Gauge perforated galvanized steel with acoustic fill encapsulated in black heat sealed polywrap
Pattern:	Flat or V-Groove
Finish:	Selection of RAL powder coated colors
Mounting:	Flush or Stand-off. Various configurations available.
NRC:	up to 1.25
Fire Resistance:	Class 1 per ASTM E 84



Revised: 2025-04-30

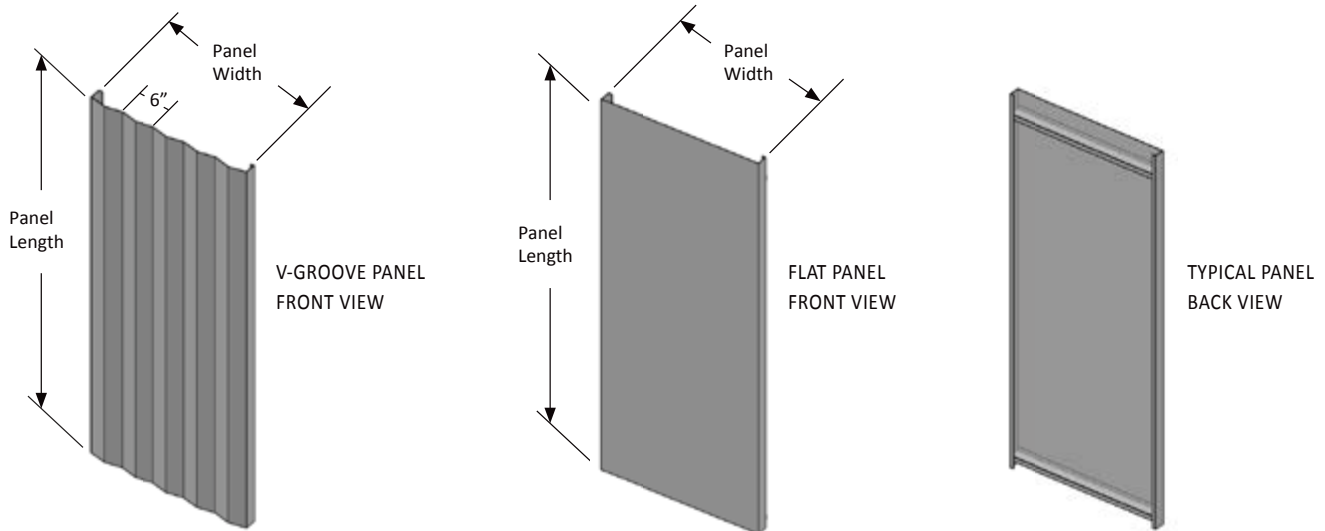
AlphaPerf[®] Metal Acoustic Panel

Sound Absorbing Performance

Pattern	Mount	125 Hz	250 Hz	500 Hz	1000 Hz	2000 Hz	4000 Hz	NRC
Flat	Flush	0.22	0.59	1.19	1.23	1.16	1.22	1.05
V-Groove	Flush	0.30	0.71	1.21	1.31	1.22	1.14	1.10
Flat	Stand-off	0.41	0.92	1.31	1.23	1.25	1.32	1.18
V-Groove	Stand-off	0.56	1.11	1.33	1.31	1.31	1.23	1.25

2" Nominal Thickness, Fill Unwrapped

PRODUCT DETAILS



Revised: 2025-04-30