

# AlphaSorb® Designer Premium Acoustic Felt Ceiling Baffles

## Aircraft Cable

These installation suggestions consist of a common process for baffle installation. Installers should rely upon their own professional experience and understanding of their unique requirements to ensure a successful install.

### Tools Needed



Cable Cutter

### Optional

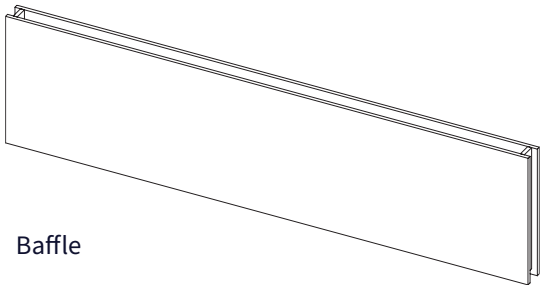


1/16" Aircraft Cable

Additional length required, if any, will be determined by site needs

Note: Installer to select preferred ceiling hardware

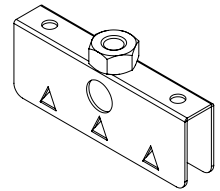
### Items Included



Baffle



(2) Grip-Lock Lock



(2) 9mm Spike Bracket

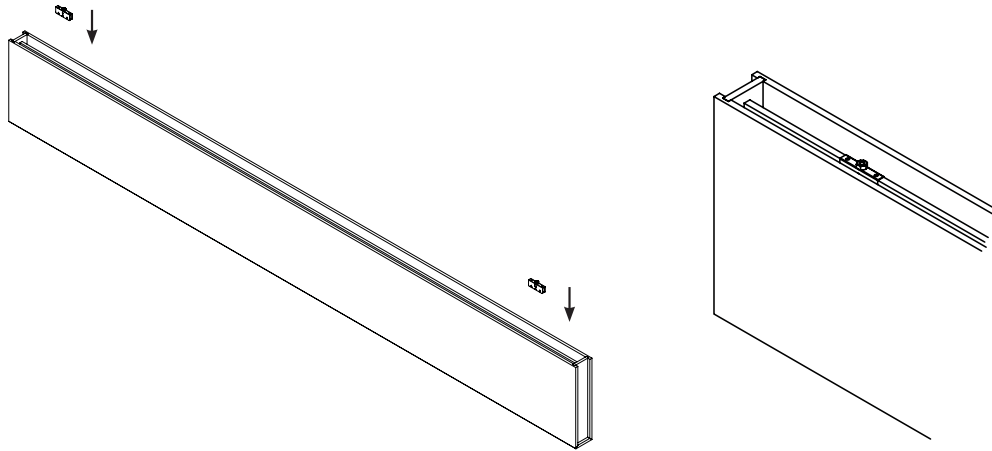
**IMPORTANT: This Installation Guide is for Drywall and Concrete Installations ONLY**

Revised: 2025-04-30

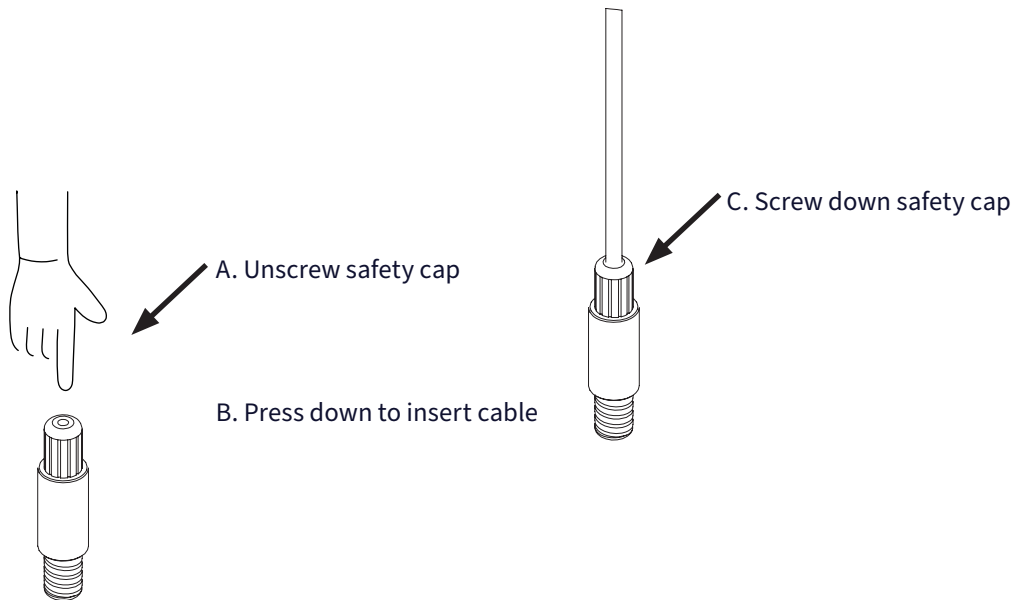
# AlphaSorb® Designer Premium Acoustic Felt Ceiling Baffles

## Aircraft Cable

1. Locate where spike bracket should be placed; we recommend approximately 6" from each side of the baffle. Slide spike brackets from the top in between layers until they grip the center layer of material.



2. Insert and lock the aircraft cable into the grip-lock.

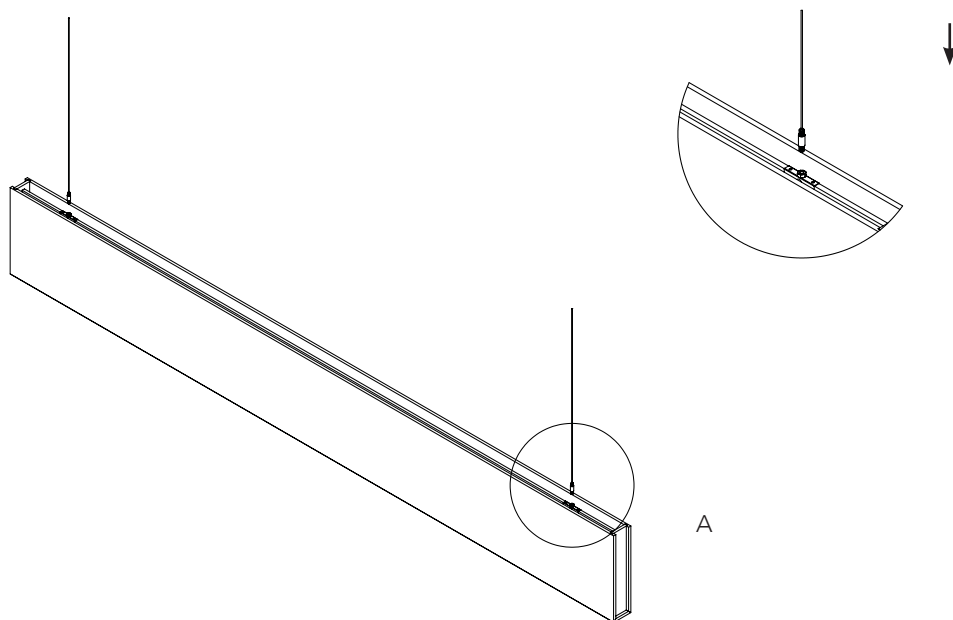


Revised: 2025-04-30

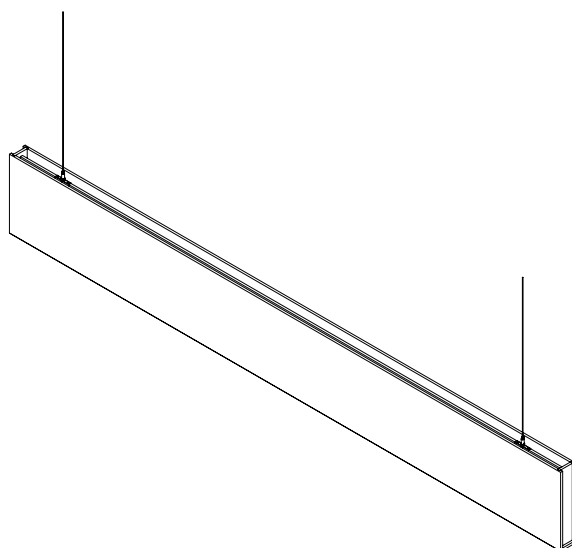
# AlphaSorb® Designer Premium Acoustic Felt Ceiling Baffles

## Aircraft Cable

3. Screw the grip-lock to the bracket on the baffle.



4. Complete installation.



Revised: 2025-04-30

# AlphaSorb® Designer Premium Acoustic Felt Ceiling Baffles

## Threaded Rod

These installation guidelines consist of the common process of adding a 1/4" (20) threaded rod for baffle installation. Installers should rely upon their own professional experience and understanding of their unique requirements to ensure a successful installation.

### Tools Needed



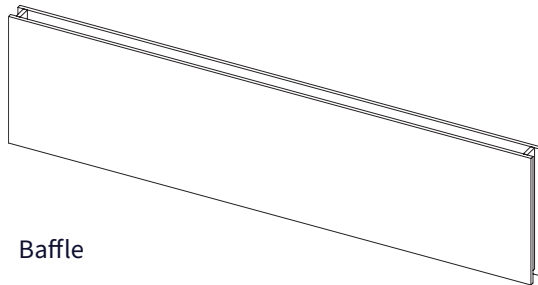
Cable Cutter

### By Others

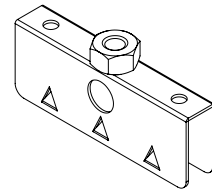


Threaded Rod 1/4 - 20

### Items Included



Baffle



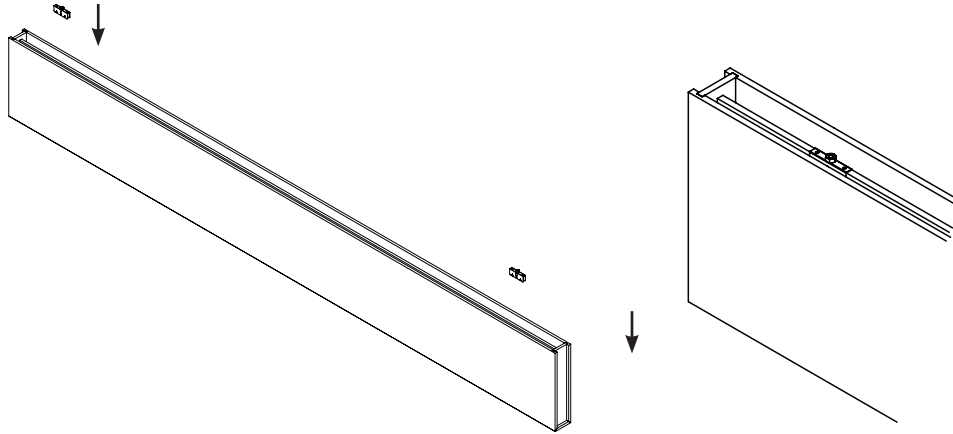
(2) 9mm Spike Bracket

Revised: 2025-04-30

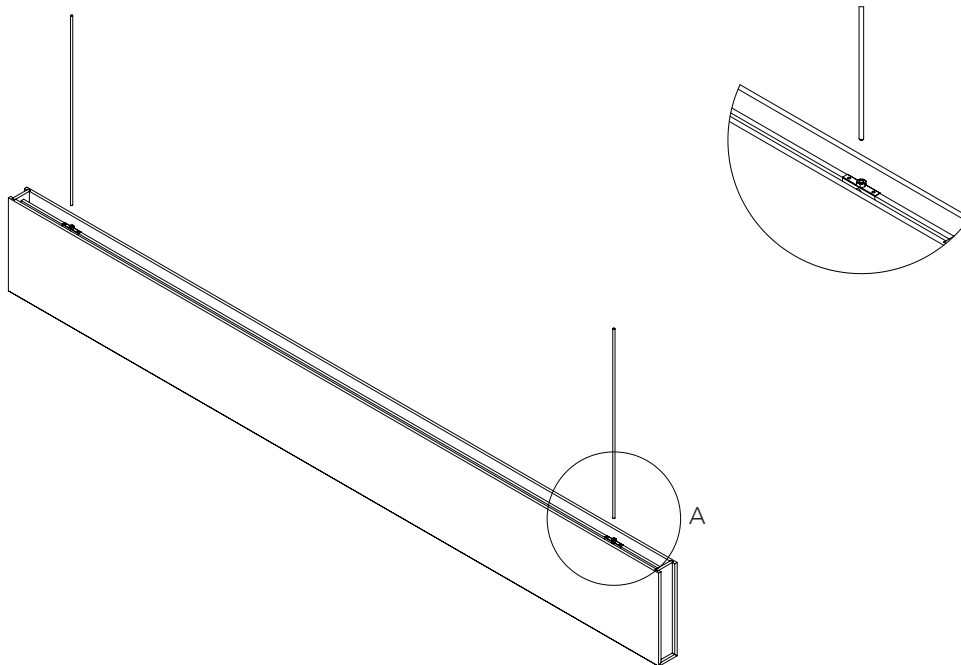
# AlphaSorb® Designer Premium Acoustic Felt Ceiling Baffles

## Threaded Rod

1. Locate where spike bracket should be placed; we recommend approximately 6" from each side of the baffle. Slide spike brackets from the top in between layers until they grip the center layer of material.



2. Install the threaded rod into the spike bracket.



Revised: 2025-04-30