

AlphaSorb® Designer Premium Acoustic Felt Ceiling Baffles

Aircraft Cable

These installation suggestions consist of a common process for tile installation. Installers should rely upon their own professional experience and understanding of their unique requirements to ensure a successful install.

Confirm your Unistrut installation has been completed. Consult with a professional about a proper Unistrut installation for your ceiling type (concrete vs. sheet-rock).

Tools Needed



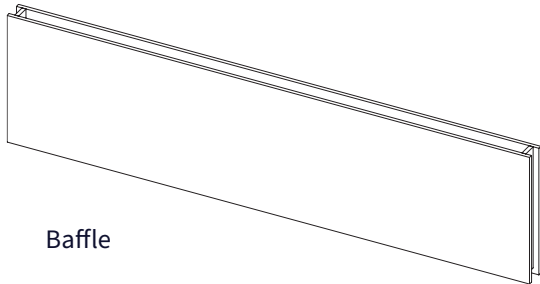
Cable Cutter

Optional

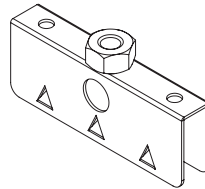


1/16" Aircraft Cable

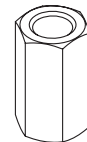
Items Included



Baffle



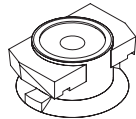
(2) 9mm Spike Bracket



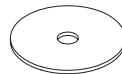
(2) Coupling Nut



(4) Griplock



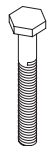
(2) Nylon Cone Nut



(2) Fender Washer



(2) 1/4" - 20 Nut



(2) 1/4" - 20 Bolt

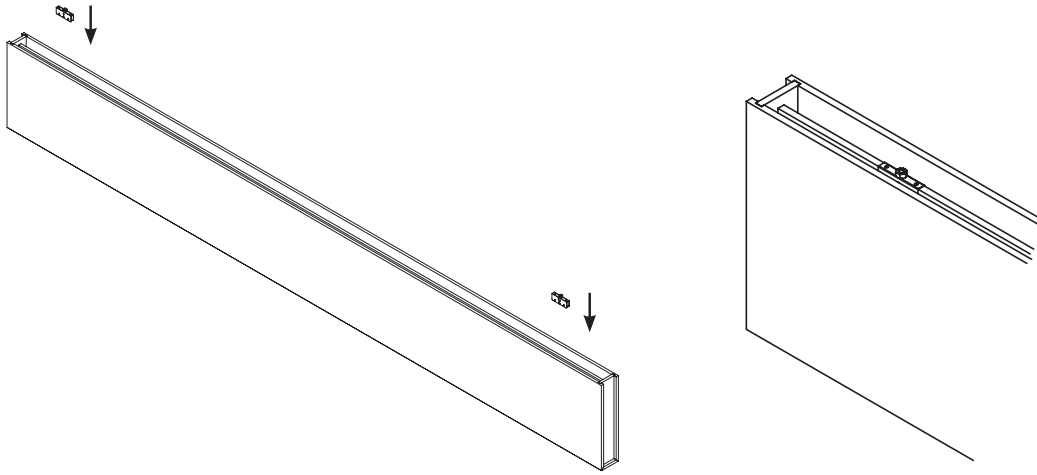
IMPORTANT: This Installation Guide is for Unistrut Installations ONLY

Revised: 2025-04-30

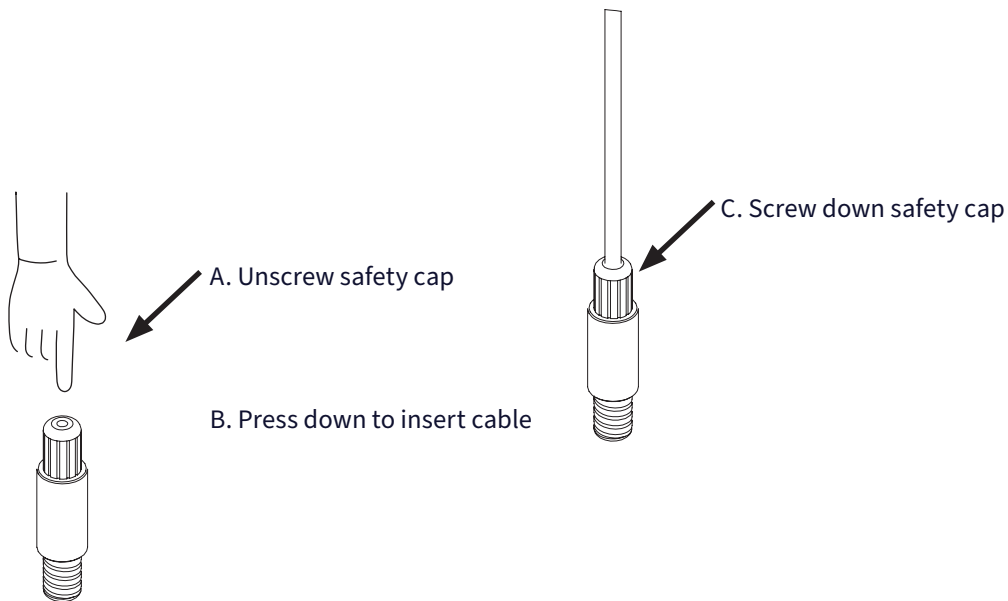
AlphaSorb® Designer Premium Acoustic Felt Ceiling Baffles

Aircraft Cable

1. Locate where spike bracket should be placed; we recommend approximately 6" from each side of the baffle. Slide spike brackets from the top in between layers until they grip the center layer of material.



2. Insert and lock the aircraft cable into the grip-lock.



Revised: 2025-04-30

AlphaSorb® Designer Premium Acoustic Felt Ceiling Baffles

Aircraft Cable

3. Cut the excess cable using cable cutter.

4. Install threaded rod or aircraft cable from unistrut.



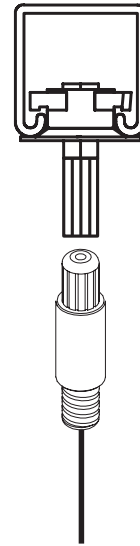
A. Screw the 1/4" - 20 bolt into the cone nut

B. Insert the fender washer

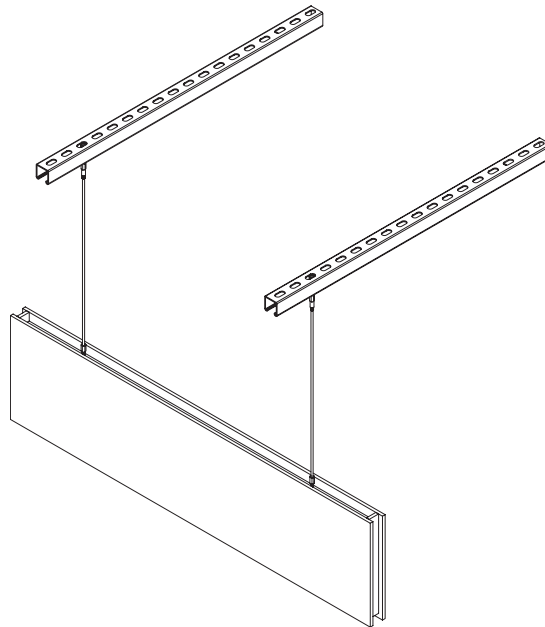
C. Screw the nut to the bolt

D. Screw the coupling nut to the bolt

E. Screw the grip-lock to the coupling nut



5. Final View



Revised: 2025-04-30

AlphaSorb® Designer Premium Acoustic Felt Ceiling Baffles

Threaded Rod

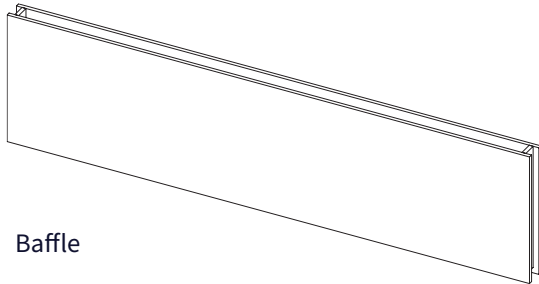
These installation guidelines consist of the common process of using threaded rod to suspend baffles from already installed Unistrut. Installers should rely upon their own professional experience and understanding of their unique requirements to ensure a successful installation.

Optional Tools

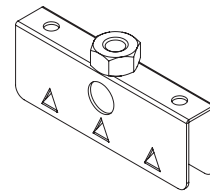


Threaded Rod 1/4" - 20

Items Included



Baffle



(2) 9mm Spike Bracket



(2) Nylon Cone Nut



(2) Fender Washer



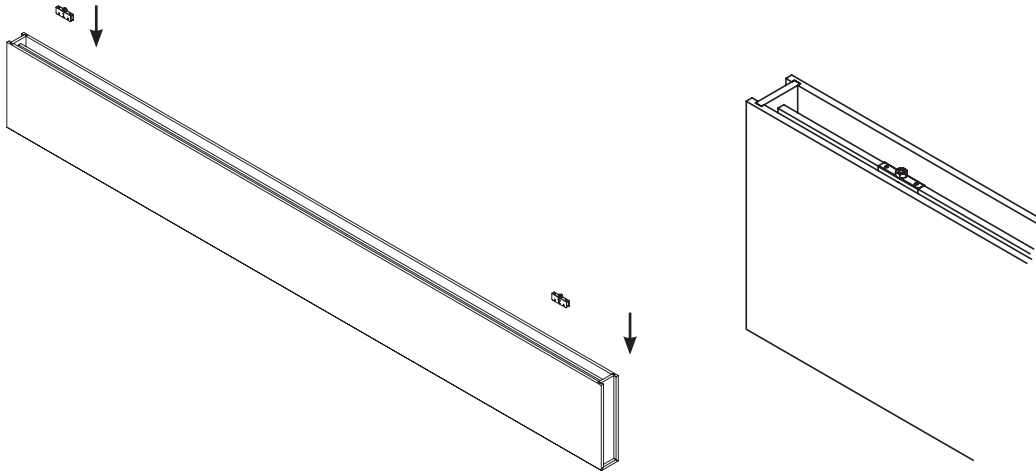
(2) 1/4" - 20 Nut

Revised: 2025-04-30

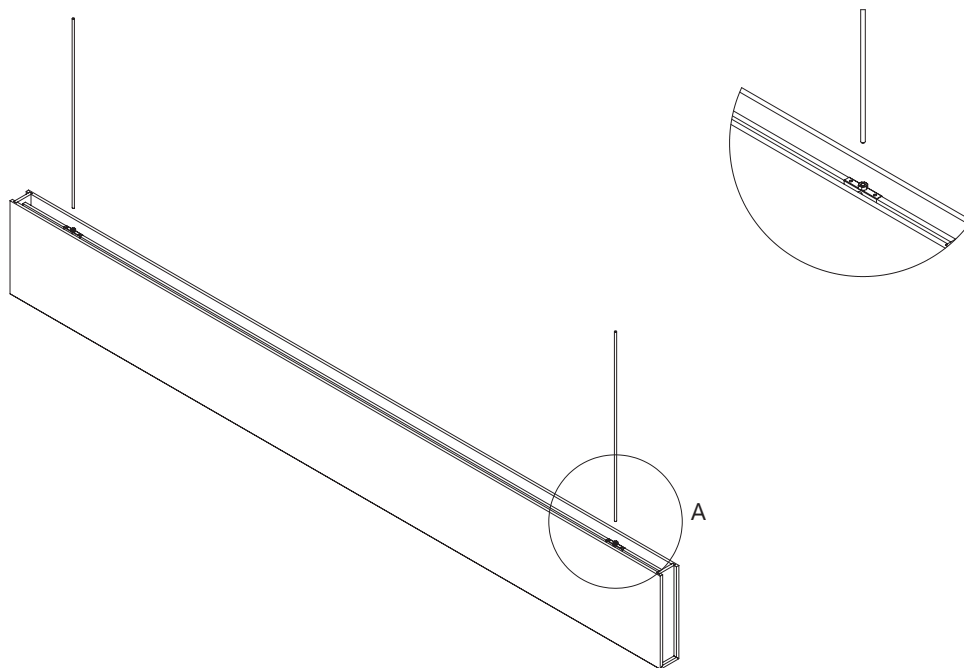
AlphaSorb® Designer Premium Acoustic Felt Ceiling Baffles

Threaded Rod

1. Locate where spike bracket should be placed; we recommend approximately 6" from each side of the baffle. Slide spike brackets from the top in between layers until they grip the center layer of material.



2. Install the threaded rod into the spike bracket.

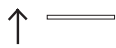


Revised: 2025-04-30

AlphaSorb® Designer Premium Acoustic Felt Ceiling Baffles

Threaded Rod

3. Install Threaded Rod in Unistrut.



A. Screw the threaded rod to go inside cone nut



B. Insert the fender washer

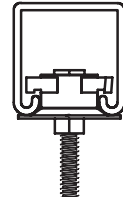


C. Screw the nut to the bolt

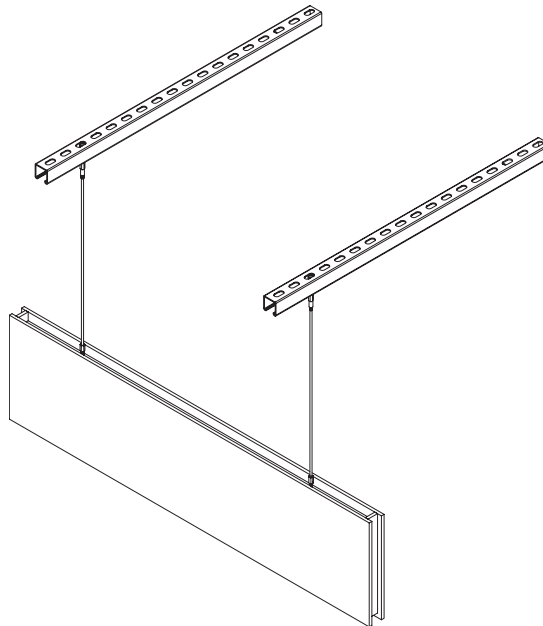


D. Screw the pre-installed coupling nut to the bolt

Threaded Rod



4. Final View



Revised: 2025-04-30