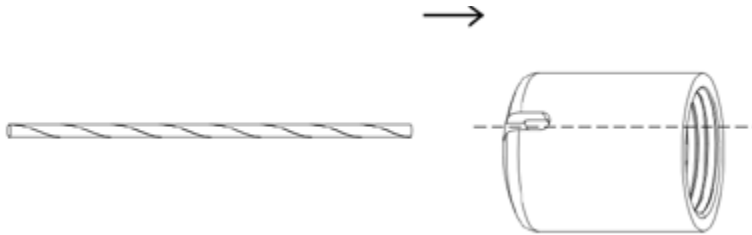


INSTALLATION GUIDE

AlphaSorb® Designer Premium Acoustic Felt Ceiling Clouds

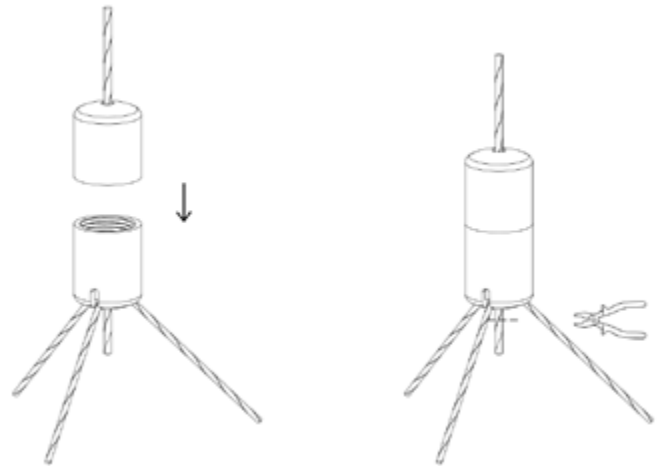
1. Insert cables to the bottom exit.



2. For the Circle Cloud use (3) included cables with ball ends to attach on the bottom exit; use (4) for the Square Cloud (not shown).



3. Screw it back to the sputnik head and cut excess wire.

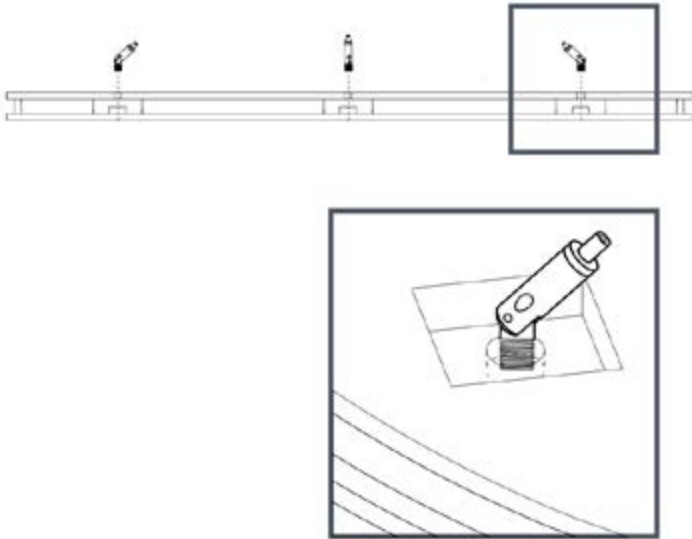


Revised: 2025-04-30

INSTALLATION GUIDE

AlphaSorb® Designer Premium Acoustic Felt Ceiling Clouds

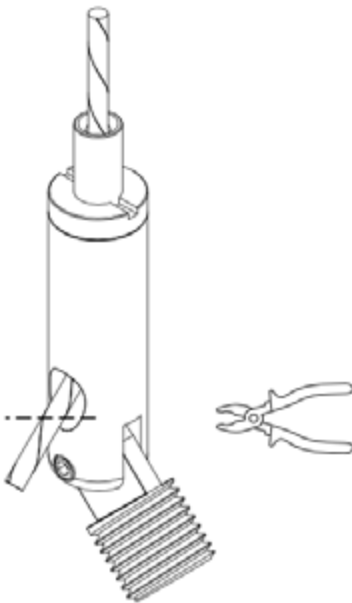
4. Locate the threaded hole to mount the jointed gripper.



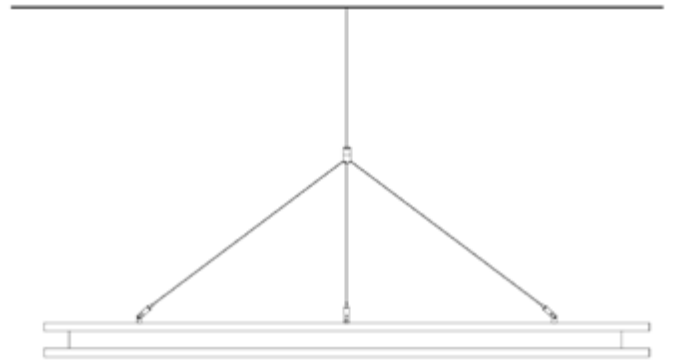
5. Press and hold the spring portion to insert the cable.



6. After insert cut out the excess cable.



7. Finished assembly. Cloud can be hung at different lengths.



Revised: 2025-04-30