

AlphaSorb® Fabric Wrapped Panels

Covers These Methods Of Mounting Impaling Clips | Rotofast Snap-On | Z-Clips

These installation instructions are given as a general guide to avoid common errors. Installer should follow best practices for construction and workmanship. Acoustical Solutions bears no responsibility for installation or contractor selection. Please contact a sales representative if you have questions, concerns or specific project requirements.

Be sure to inspect materials upon delivery. Please note any damage on the delivery ticket and notify Acoustical Solutions immediately. Materials should be stored in original packing in a clean, climate controlled environment free of moisture. Installation should not commence until building is enclosed and under standard occupancy conditions and surfaces are of acceptable condition and properly prepared. Do not install materials of unacceptable quality.

All fabrics except FR701 are directional meaning they have visible pattern directionality. Fabric directionality must be considered when determining fabric wrapped acoustical product orientation to maintain a consistent pattern flow. If you need help with design and panel orientation, please contact a sales consultant for assistance.

Recommended safety precautions:

- Wear safety glasses
- Wear black nitrile gloves to avoid getting fingerprints on the panels
- Wear long sleeves to protect from fiberglass fibers
- We recommend two or more people to install panels that are 4' x 4' or larger
- Follow the safety guidelines of any equipment being used (power tools, ladders, etc.)
- Follow OSHA guidelines when applicable

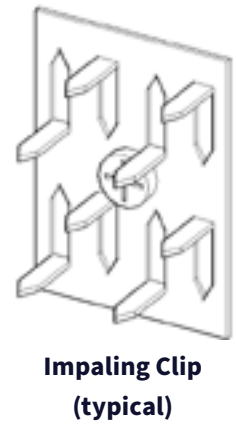
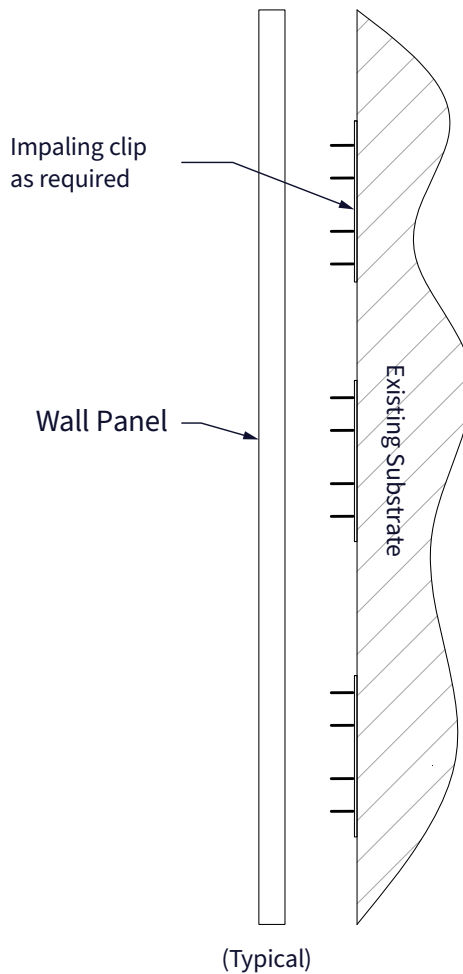
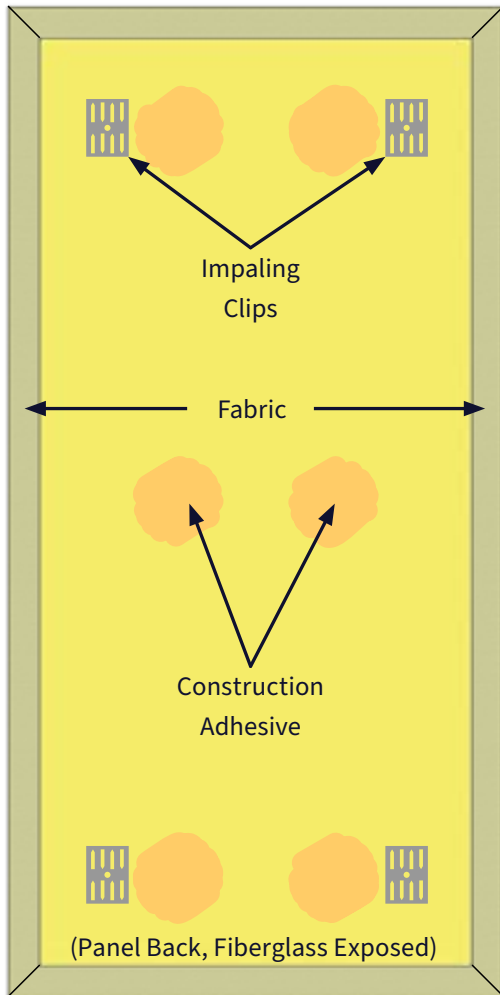
Revised: 2025-08-12

AlphaSorb® Fabric Wrapped Panels

Impaling Clips

Installation Method

Determine the location of where the panel(s) will be mounted to the wall. Lightly mark outside edge of location for the top, bottom, left and right of the panel. Mount impaling clips to the wall surface using the appropriate fastener or hot melt adhesive. Impaling clips should be set in at least six inches from the outer edge of the panel to avoid the fabric on the back of the panel. Apply a generous amount of construction adhesive (not included) to the back of the fabric-wrapped panel. Line up the panel to the marks on the wall and firmly push the panel down onto the impaling clips to impale the clips into the fiberglass core. Verify panels are straight and plumb with a level. Impaling clips will hold the panel in place while the adhesive sets. Repeat this process for multiple panels.

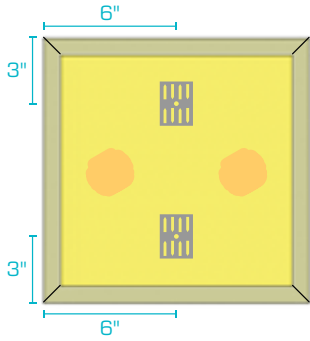


Panel Size	Typical # of Clips
1' x 1', 1' x 2', 1' x 4', 2' x 2'	2
2' x 3', 2' x 4', 2' x 5', 3' x 3', 3' x 4', 4' x 4'	4
2' x 6', 3' x 5', 3' x 6', 4' x 5', 4' x 6'	6
2' x 8', 2' x 10', 3' x 8', 4' x 8'	8
3' x 10', 4' x 10'	10

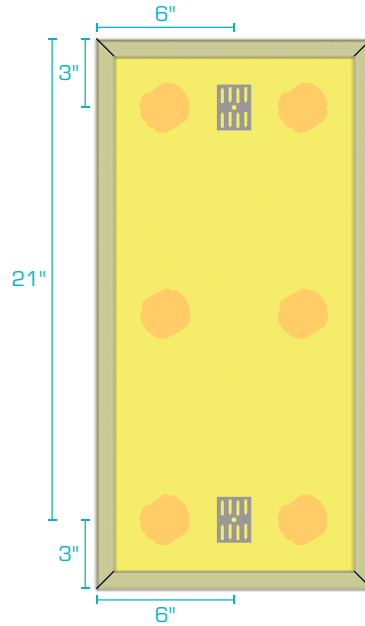
Revised: 2025-08-12

AlphaSorb® Fabric Wrapped Panels

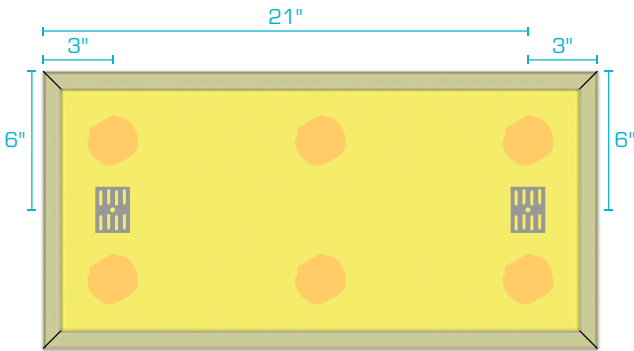
Impaling Clips



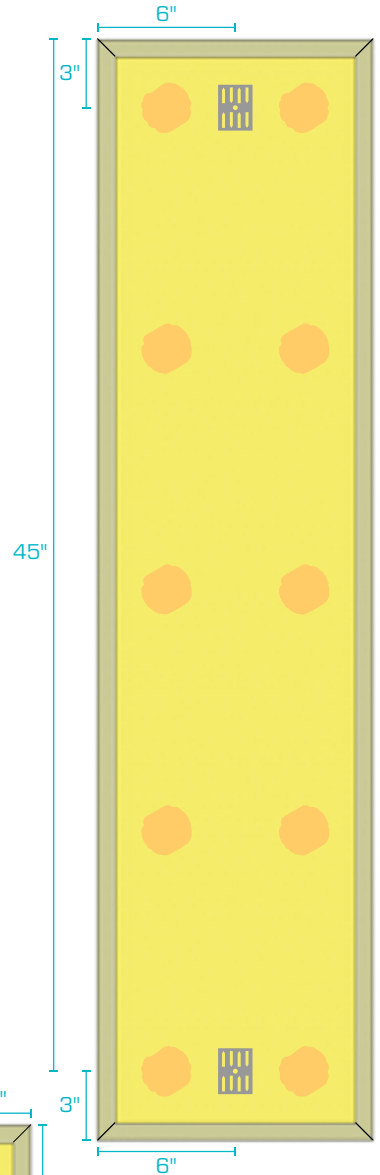
1' x 1' Panel



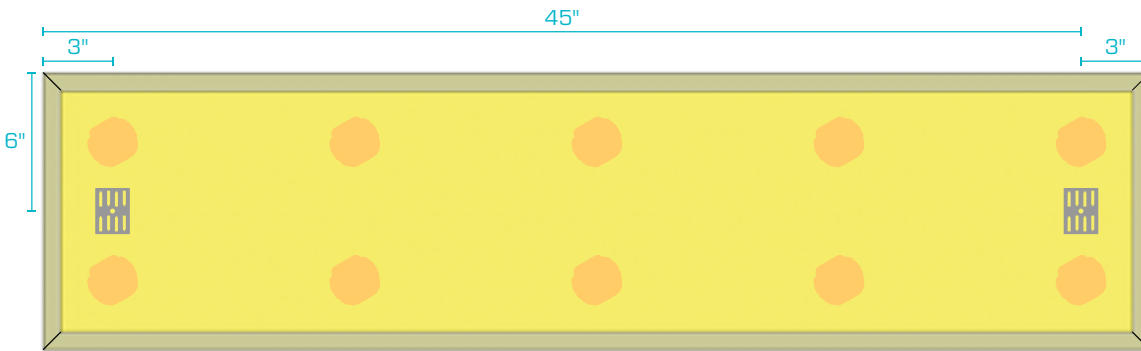
1' x 2' Panel



2' x 1' Panel



1' x 4' Panel



4' x 1' Panel

Revised: 2025-08-12

AlphaSorb® Fabric Wrapped Panels

Rotofast Snap-On



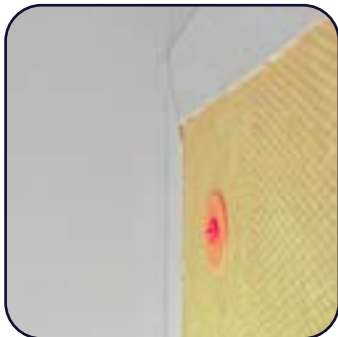
Step 1

Screw the Rotofast Snap-On Anchors into the back of the panel using a hex driver tool.



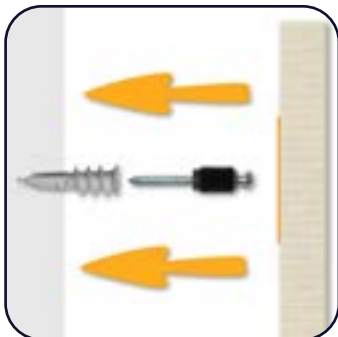
Step 2

Insert the marking plugs into the Rotofast Snap-On Anchors. The point of the marking plug should be facing away from the back of the panel.



Step 3

Push the panel firmly against the wall to mark all anchor locations.



Step 4

Screw Ratchets to wall at marked locations using appropriate wall or ceiling anchors. EZ anchors are provided for use with drywall only. Use other anchors as required. Once ratchets are secured to the wall, firmly push the panel anchors onto ratchets to complete installation.

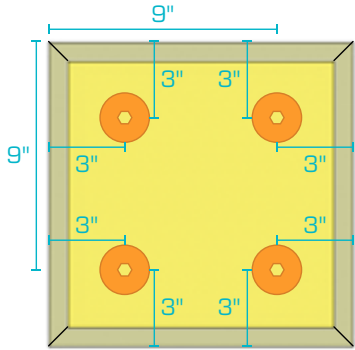
Note direction of ratchet — angled edges face toward screwhead while flat edges face toward drywall.



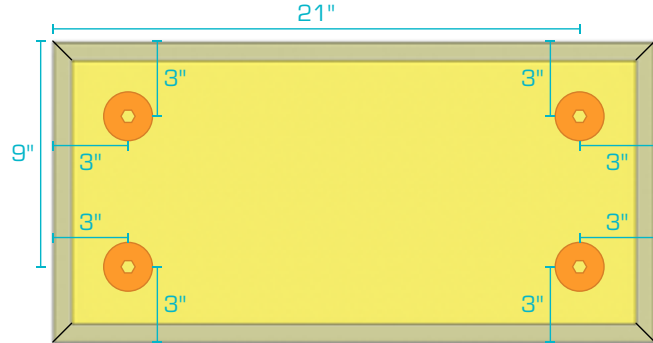
Revised: 2025-08-12

AlphaSorb® Fabric Wrapped Panels

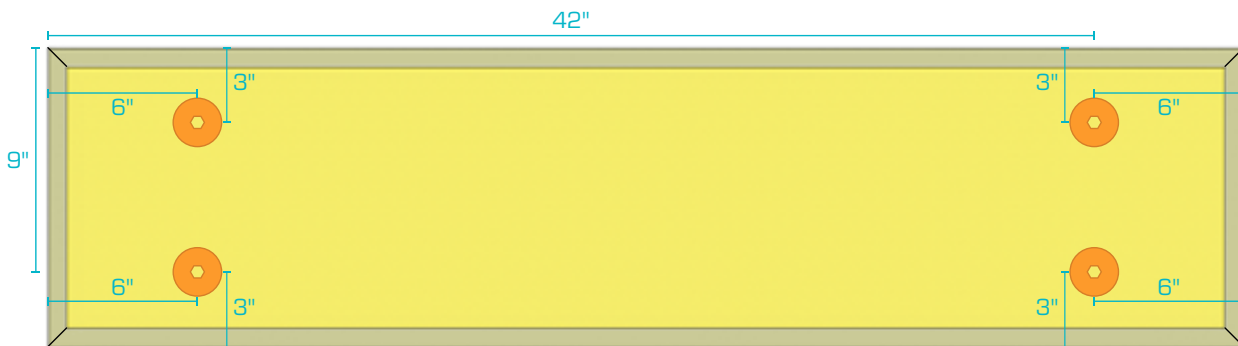
Rotofast Anchors



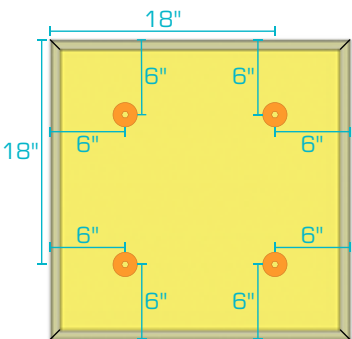
1' x 1' Panel



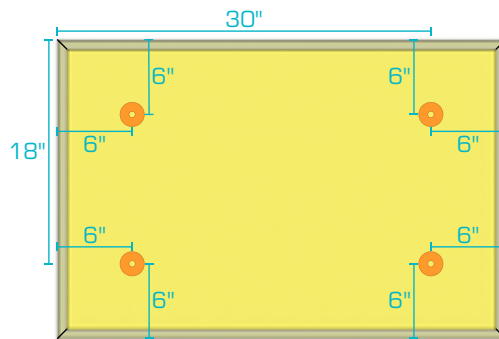
1' x 2' Panel



1' x 4' Panel



2' x 2' Panel

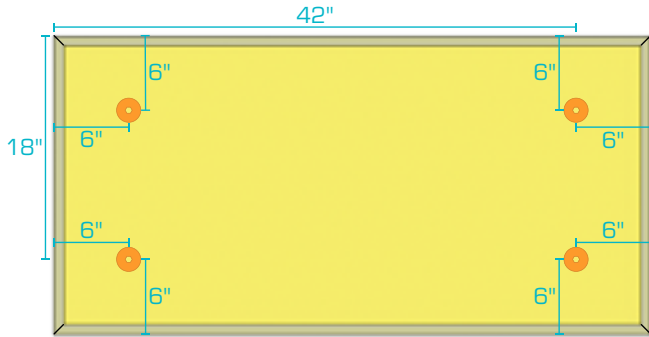


2' x 3' Panel

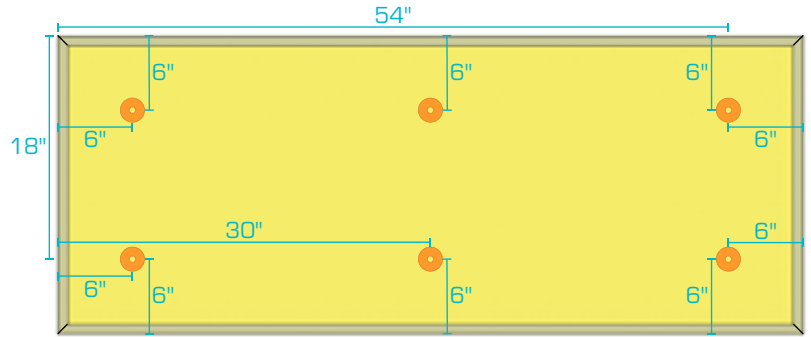
Revised: 2025-08-12

AlphaSorb® Fabric Wrapped Panels

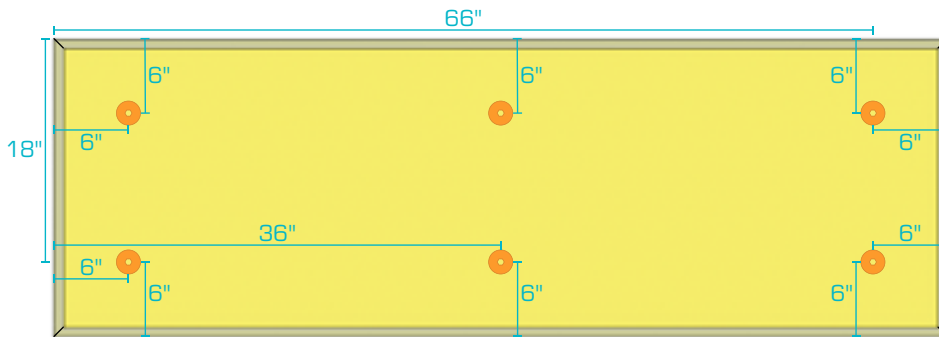
Rotofast Anchors



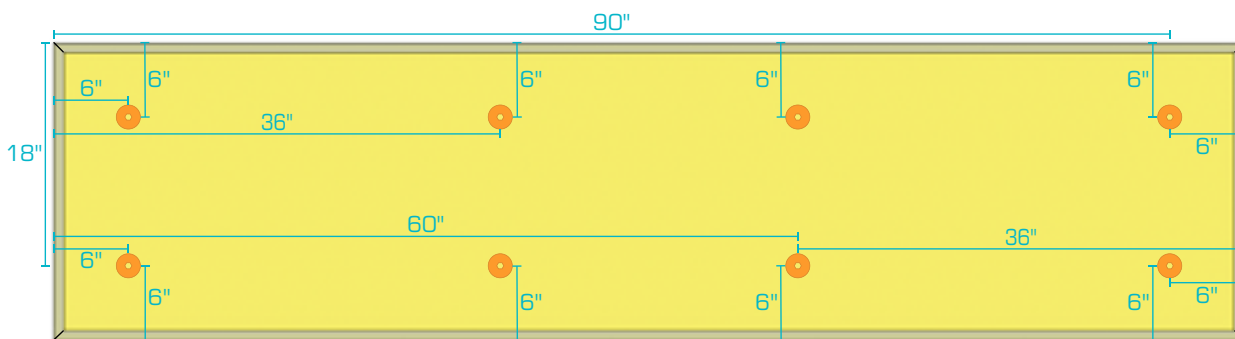
2' x 4' Panel



2' x 5' Panel



2' x 6' Panel

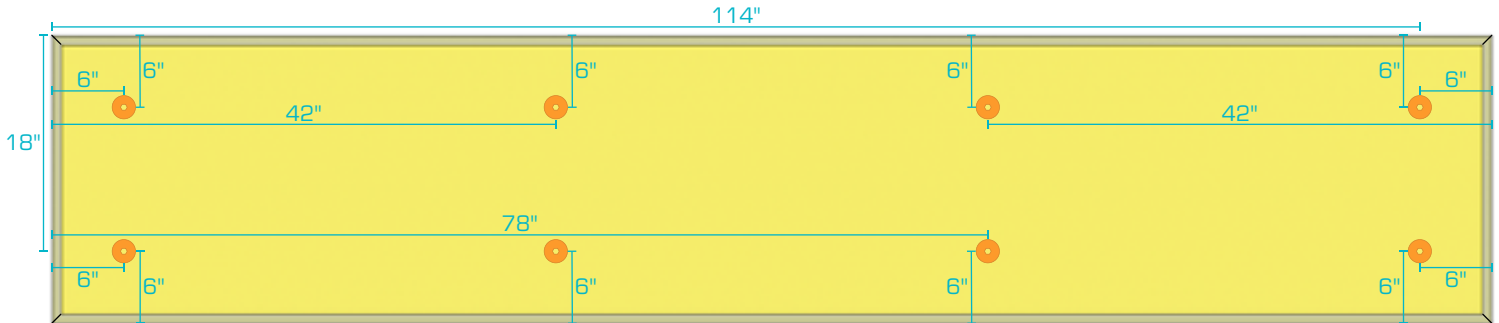


2' x 8' Panel

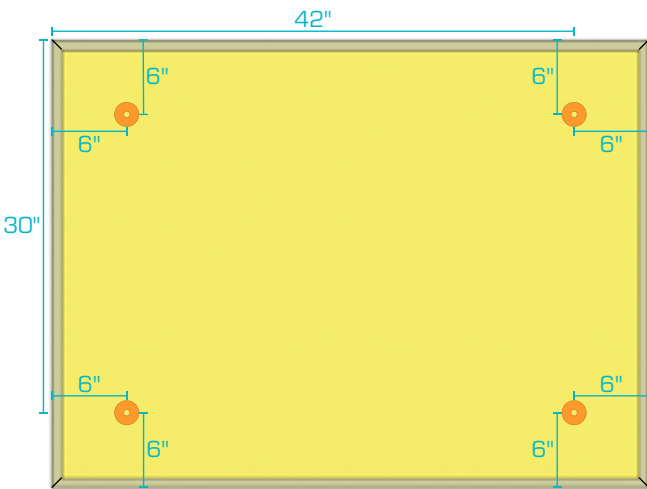
Revised: 2025-08-12

AlphaSorb® Fabric Wrapped Panels

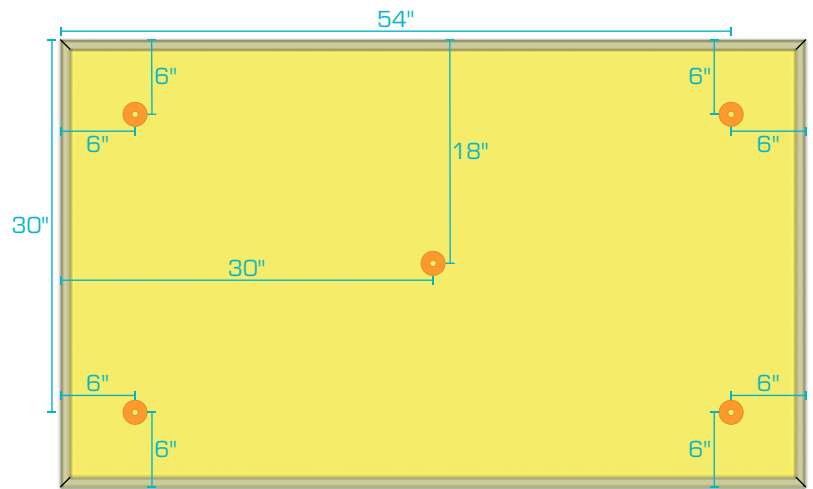
Rotofast Anchors



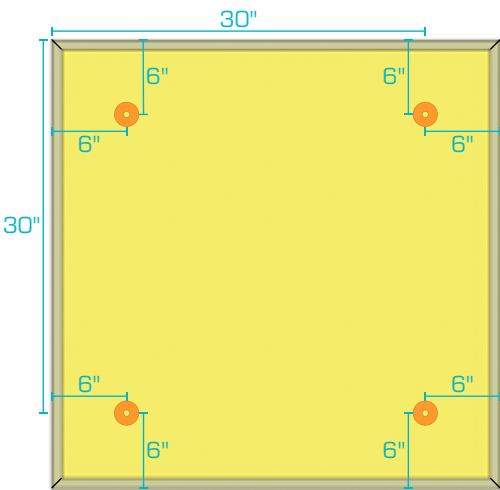
2' x 10' Panel



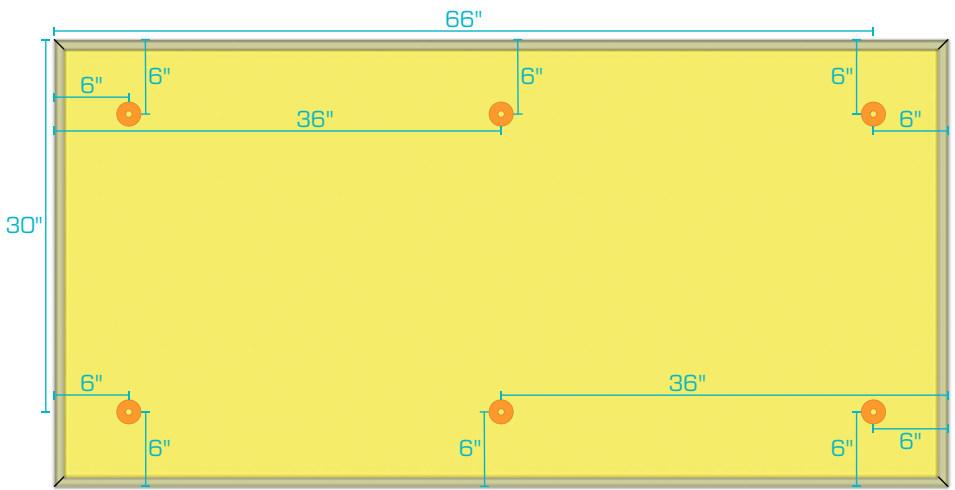
3' x 4' Panel



3' x 5' Panel



3' x 3' Panel

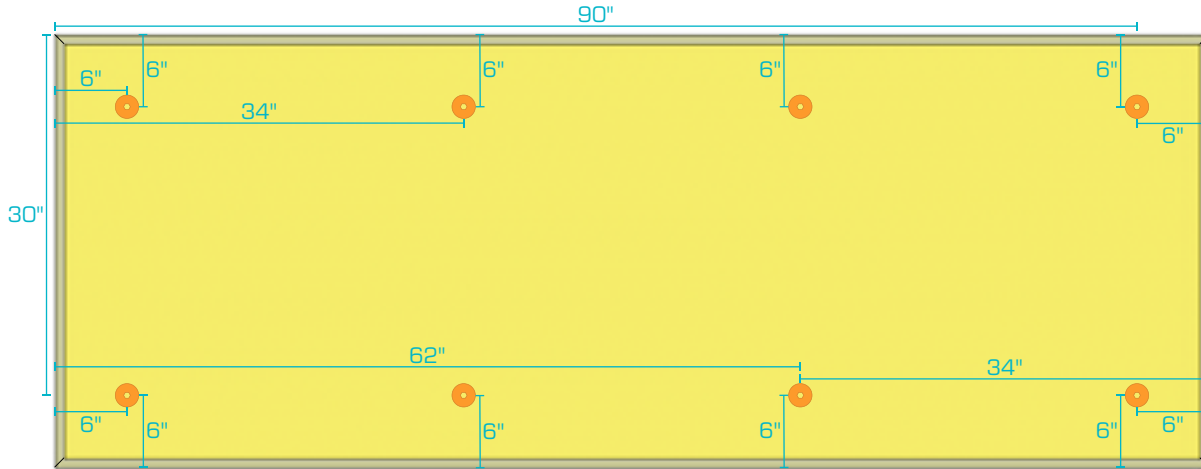


3' x 6' Panel

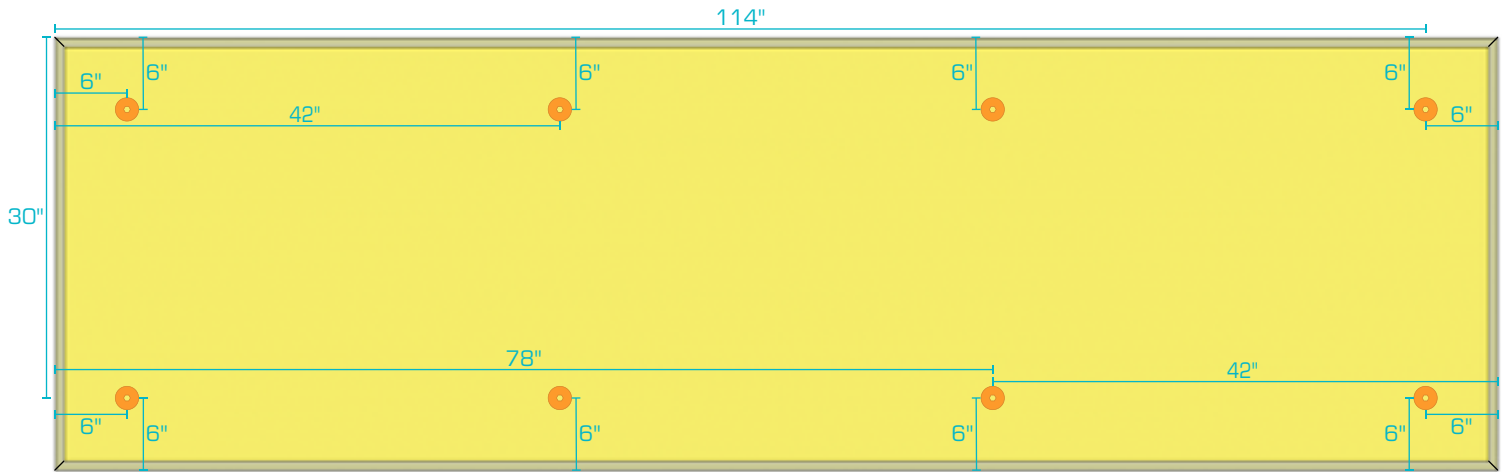
Revised: 2025-08-12

AlphaSorb® Fabric Wrapped Panels

Rotofast Anchors



3' x 8' Panel

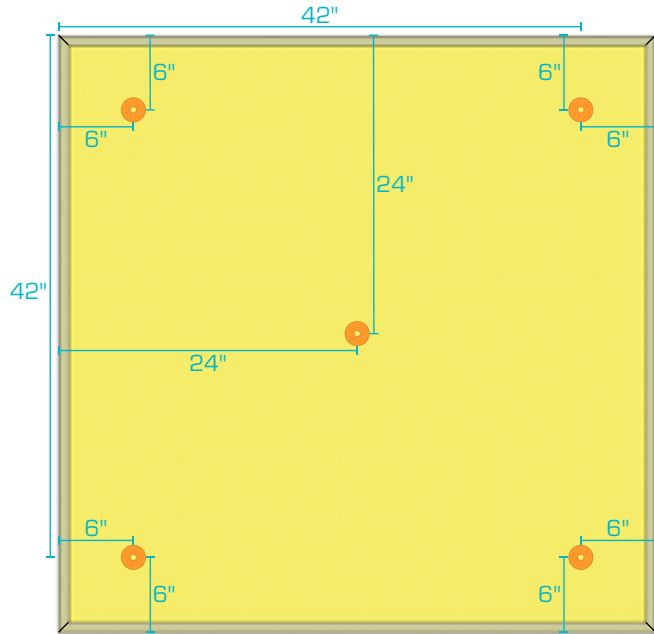


3' x 10' Panel

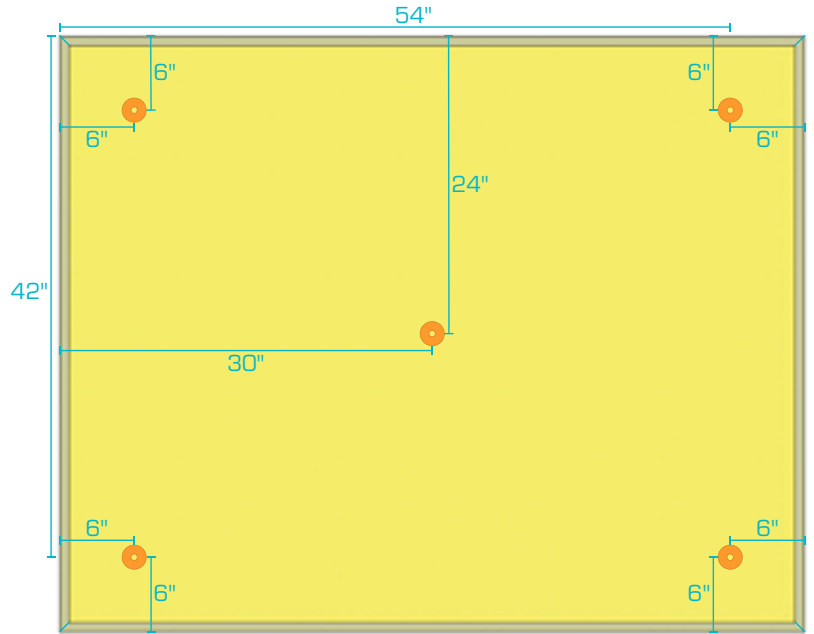
Revised: 2025-08-12

AlphaSorb® Fabric Wrapped Panels

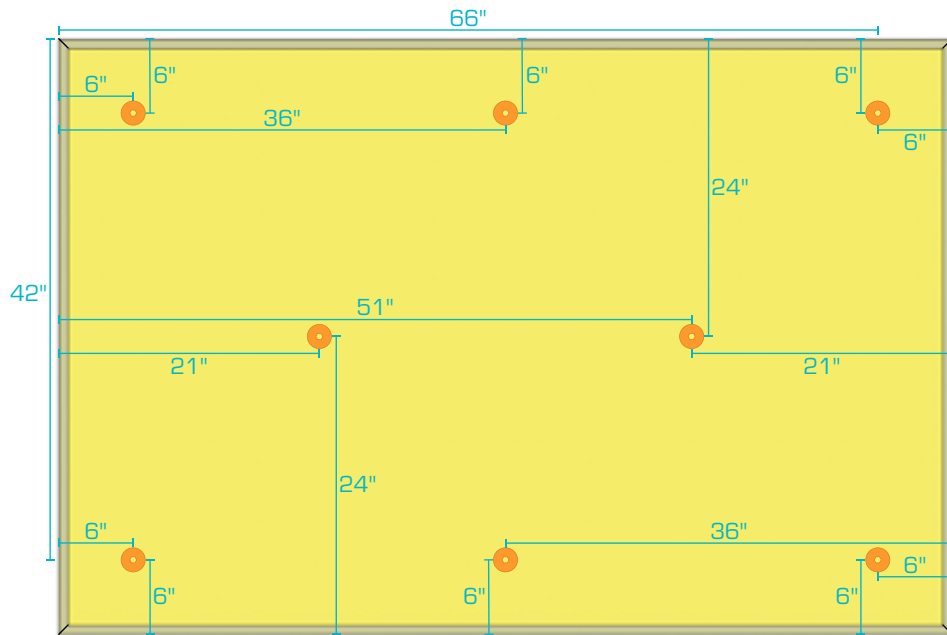
Rotofast Anchors



4' x 4' Panel



4' x 5' Panel

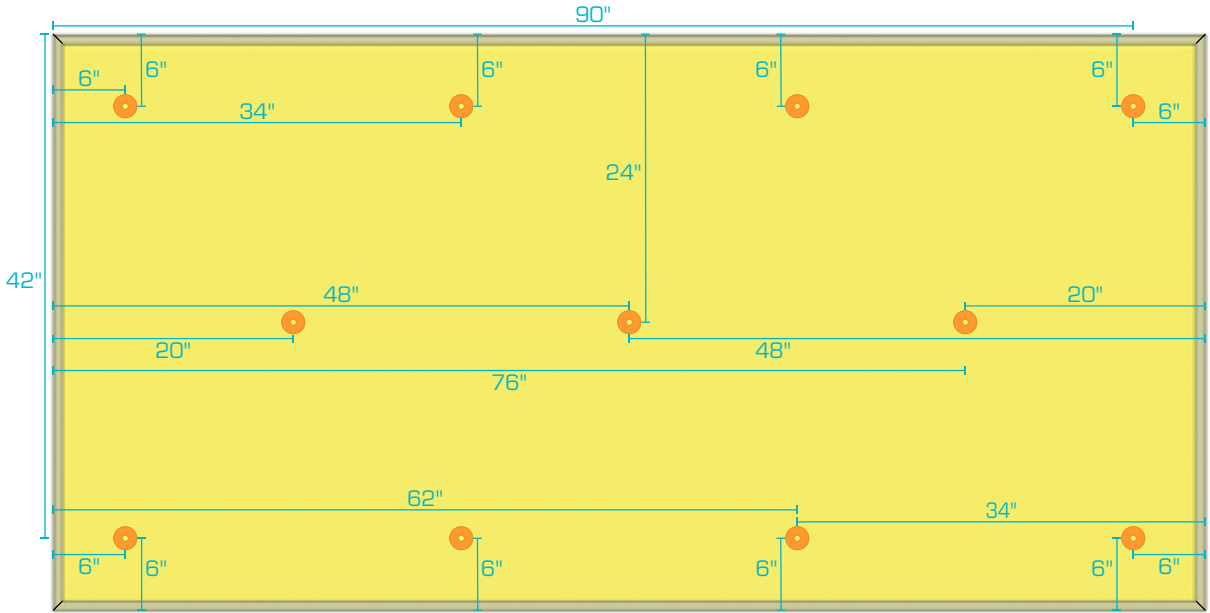


4' x 6' Panel

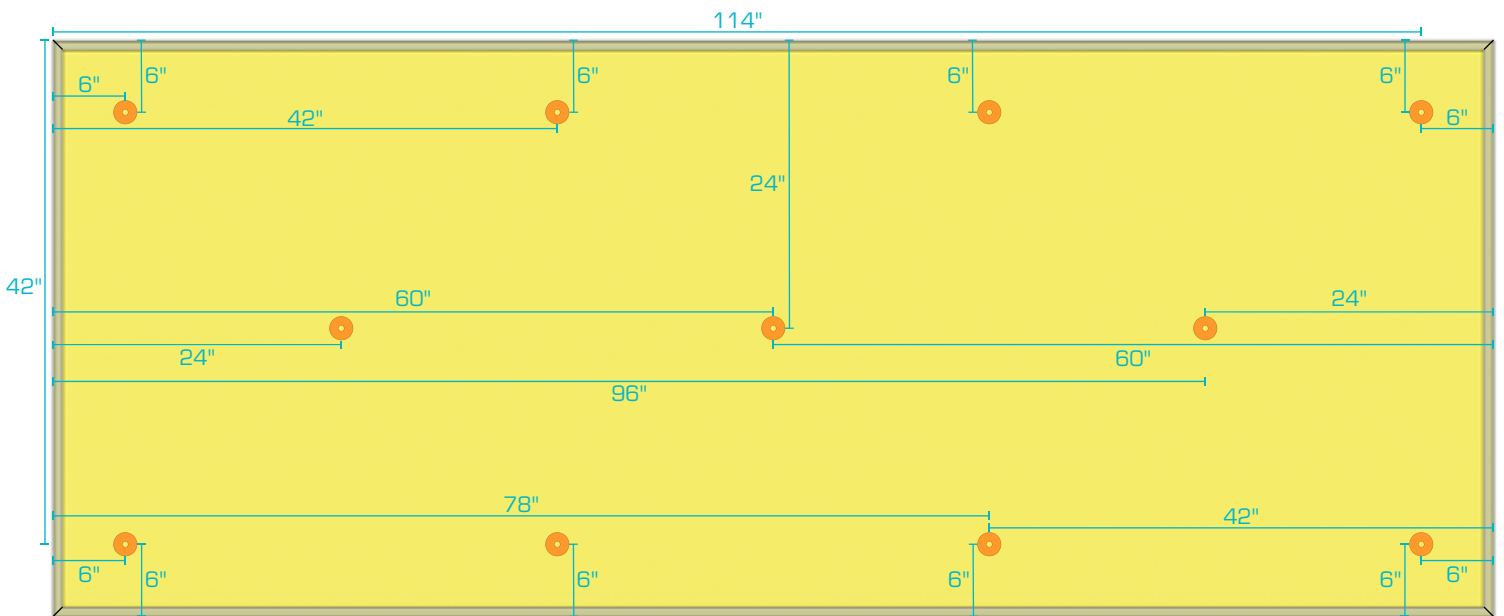
Revised: 2025-08-12

AlphaSorb® Fabric Wrapped Panels

Rotofast Anchors



4' x 8' Panel



4' x 10' Panel

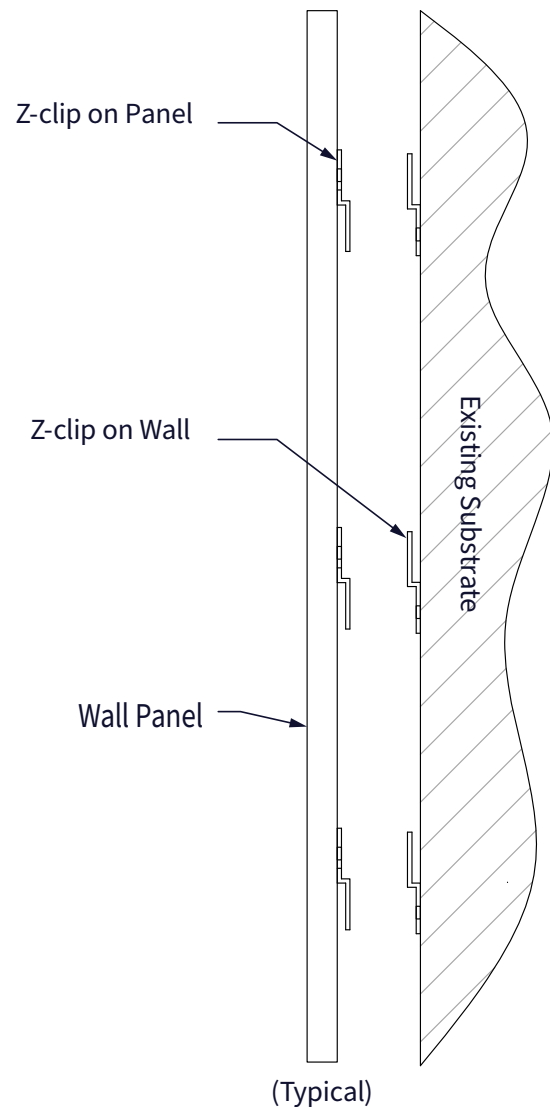
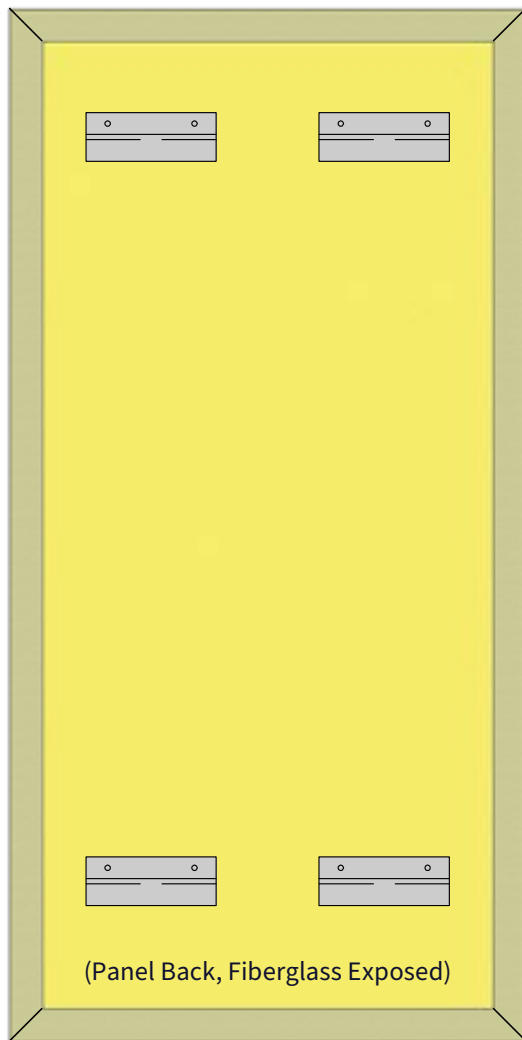
Revised: 2025-08-12

AlphaSorb® Fabric Wrapped Panels

Z-clips

Installation Method

Z-clips are a two part mechanical fastener used to mount acoustical panels to a wall. Z-clips will be factory mounted to the back of the panel. Mating wall z-clips are supplied with the order. Determine the location and layout of where the panel(s) will be mounted to the wall. Mirror mounting locations from panel onto the wall to line up with the z-clips on the back of the panels. Create reference lines on the wall to ensure panels will mount plumb and level. Secure z-clips to the wall using appropriate fasteners. Slide panel z-clips onto wall z-clips. Repeat process for multiple panels.

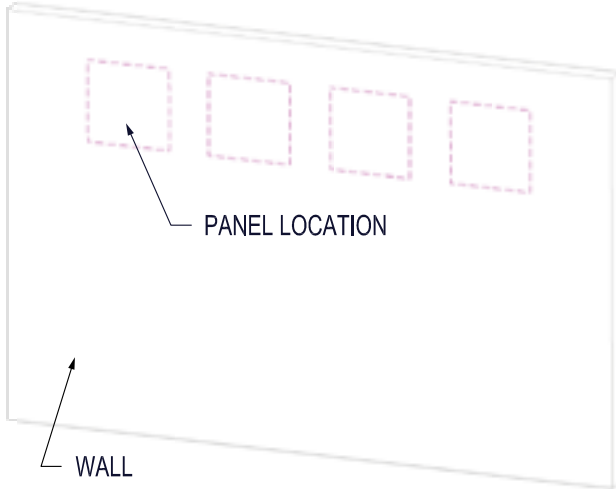


Revised: 2025-08-12

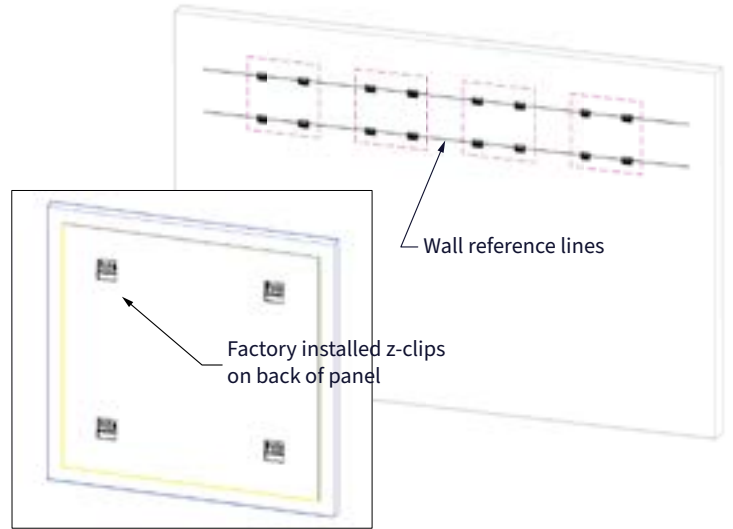
AlphaSorb® Fabric Wrapped Panels

Z-clips

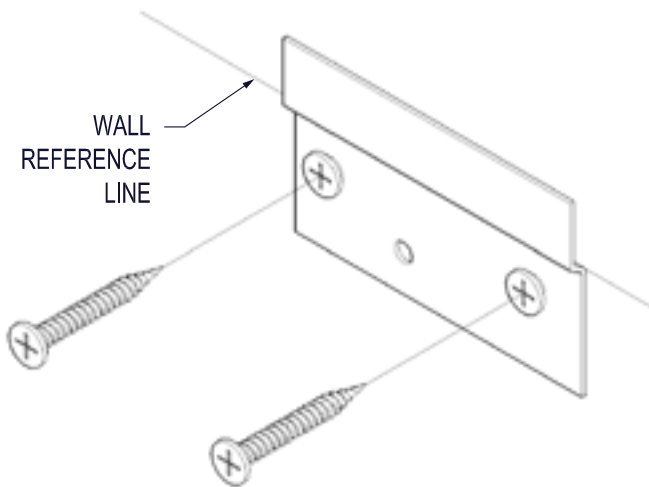
1) Layout panel location(s) on the wall



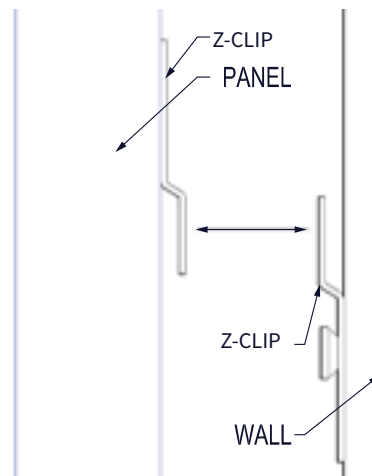
2) Determine Z-clip locations on wall, brackets should line up with the factory installed z-clips on the back of the panel.



3) Secure z-clip wall plate to wall with appropriate fasteners



4) Slide the Z-clips attached to the panel onto the z-clips attached to the wall.



Revised: 2025-08-12