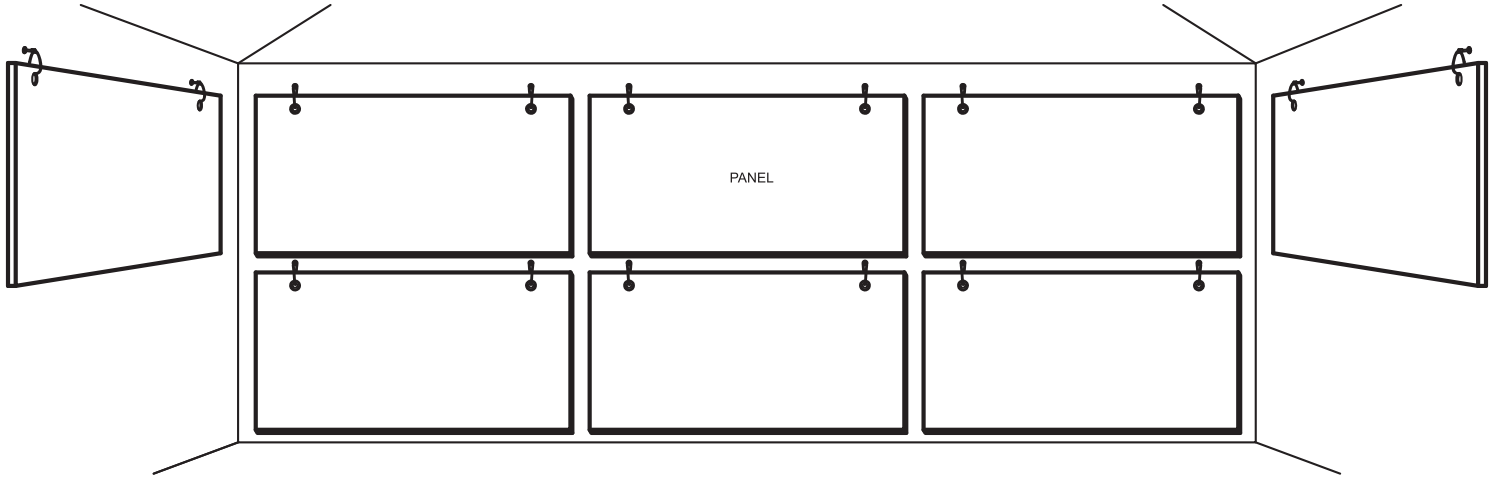
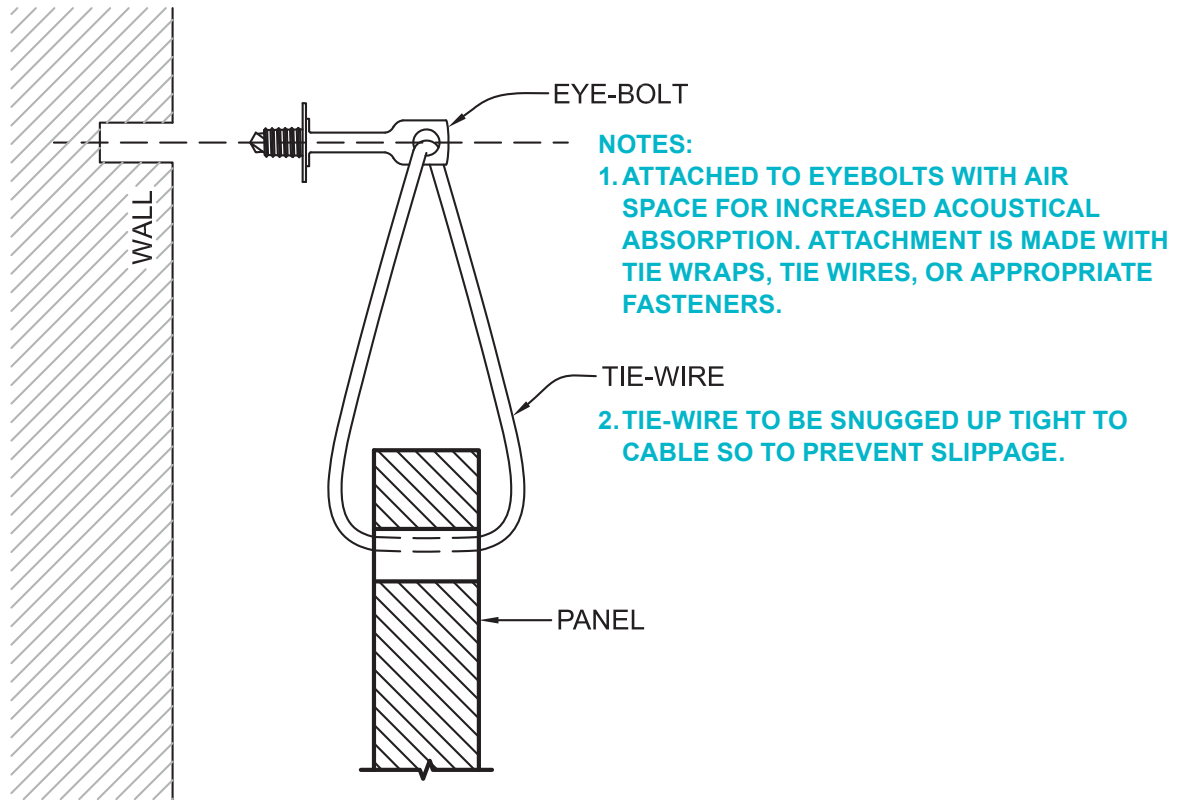


AlphaSorb® PVC Plastic Acoustic Panels



1 FRONT ELEVATION
CL-08 SCALE: NA



- NOTES:
1. ATTACHED TO EYEBOLTS WITH AIR SPACE FOR INCREASED ACOUSTICAL ABSORPTION. ATTACHMENT IS MADE WITH TIE WRAPS, TIE WIRES, OR APPROPRIATE FASTENERS.
 2. TIE-WIRE TO BE SNUGGED UP TIGHT TO CABLE SO TO PREVENT SLIPPAGE.

A ATTACHMENT DETAIL
CL-08 SCALE: NA

NOTE: DO NOT OVER TIGHTEN HARDWARE. DOING SO CAN CAUSE BOTTOM OF PANEL TO KICK OUT.

Revised: 2025-04-30