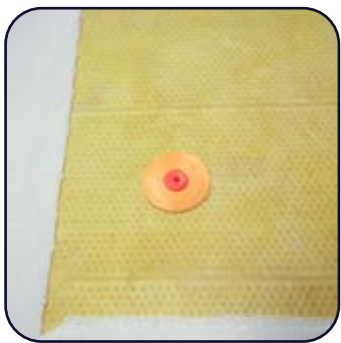


AlphaSorb® Quick Ship Custom Art Acoustic Panels



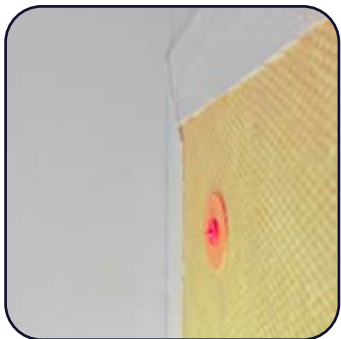
Step 1

In most cases, the Rotofast Snap-On anchors will be factory mounted into the back of the acoustical panel. If so, continue to step 2. If not, screw the Rotofast Snap-On Anchors into the back of the panel using a hex driver tool.



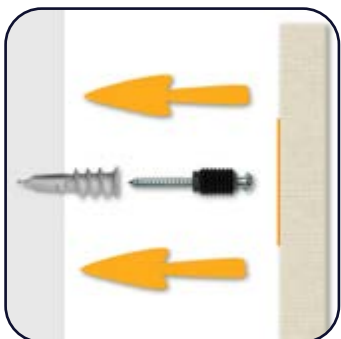
Step 2

Insert the marking plugs into the Rotofast Snap-On Anchors. The point of the marking plug should be facing away from the back of the panel.



Step 3

Push the panel firmly against the wall to mark all anchor locations.

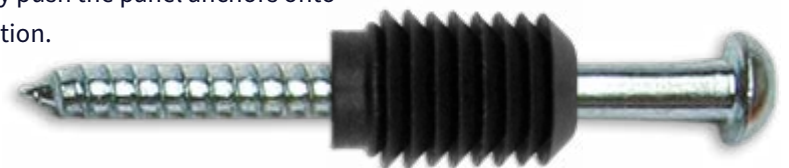


Step 4

Screw Ratchets to wall at marked locations using appropriate wall or ceiling anchors. EZ anchors are provided for use with drywall only. Use other anchors as required. Once ratchets are secured to the wall, firmly push the panel anchors onto ratchets to complete installation.

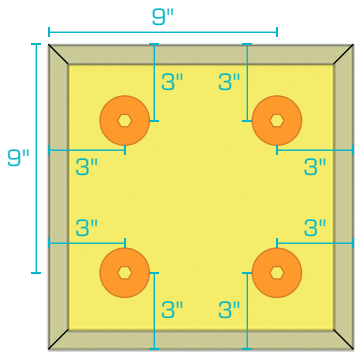


Note direction of ratchet — angled edges face toward screwhead while flat edges face toward drywall.

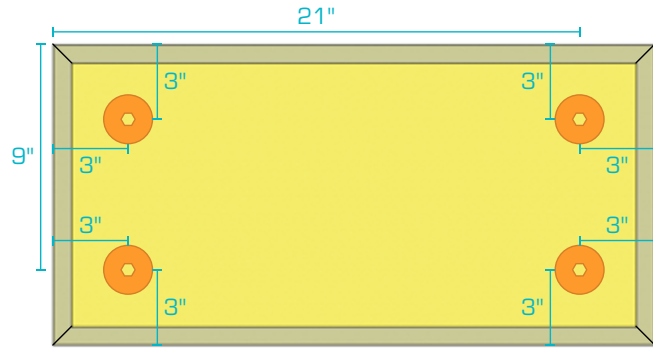


Revised: 2025-04-30

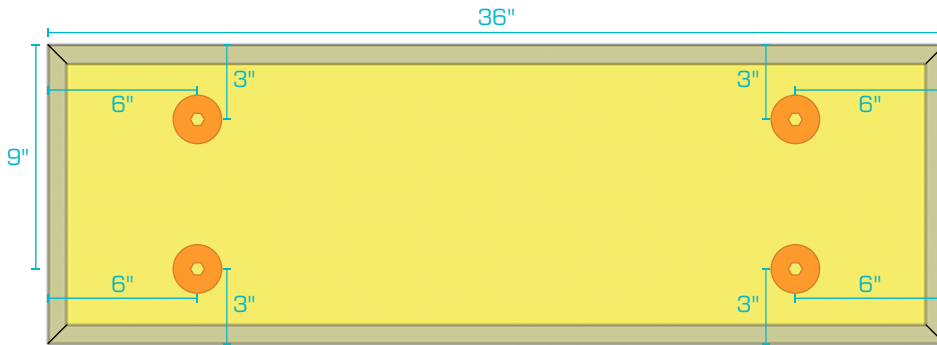
AlphaSorb® Quick Ship Custom Art Acoustic Panels



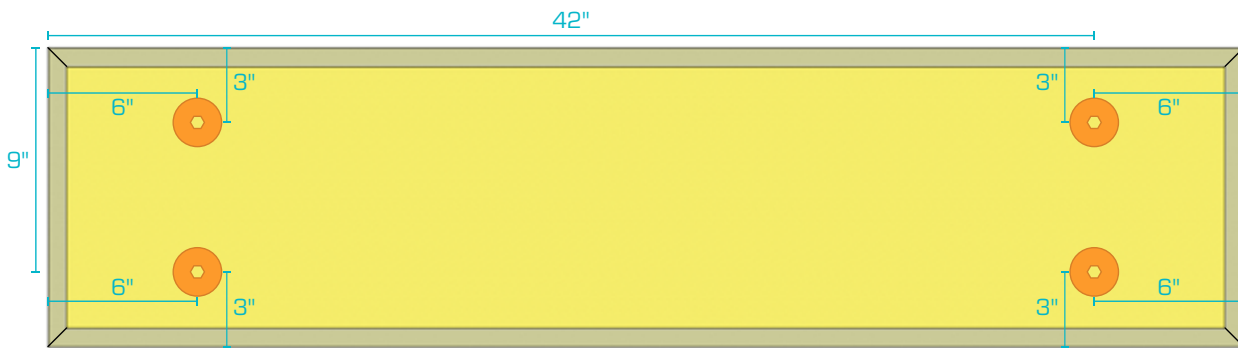
1' x 1' Panel



1' x 2' Panel



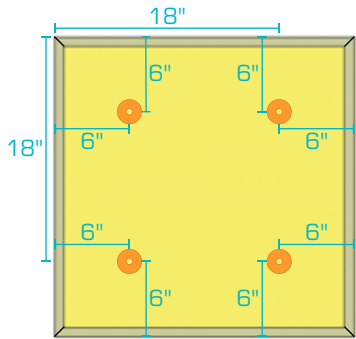
1' x 3' Panel



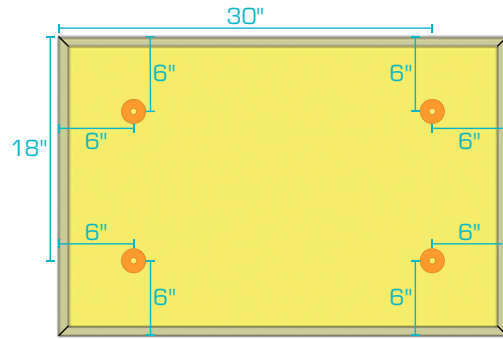
1' x 4' Panel

Revised: 2025-04-30

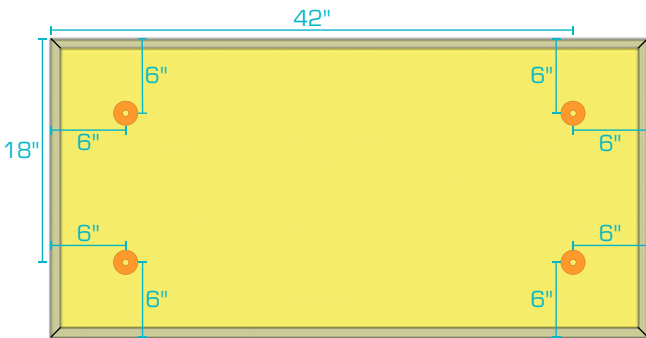
AlphaSorb® Quick Ship Custom Art Acoustic Panels



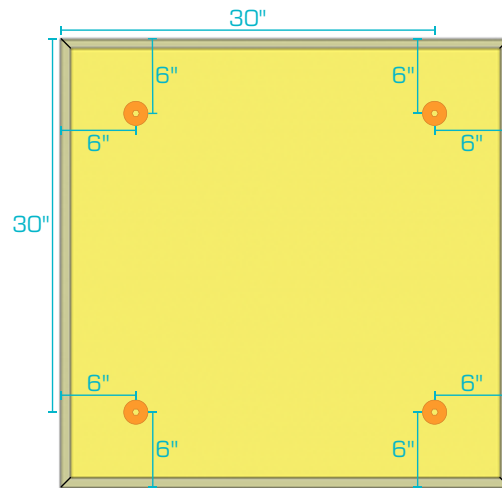
2' x 2' Panel



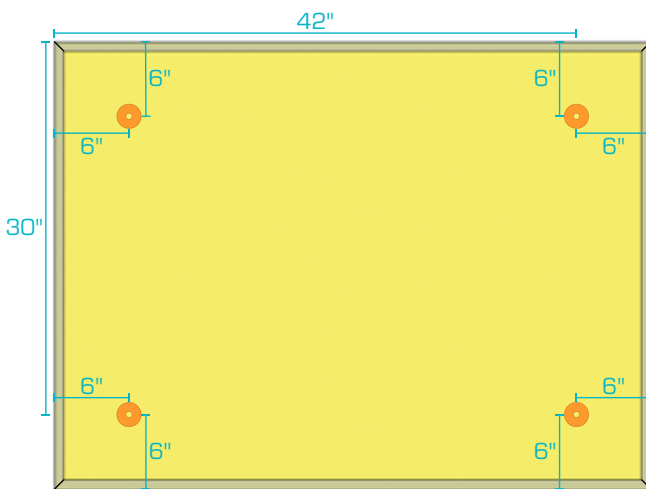
2' x 3' Panel



2' x 4' Panel



3' x 3' Panel



3' x 4' Panel

Revised: 2025-04-30