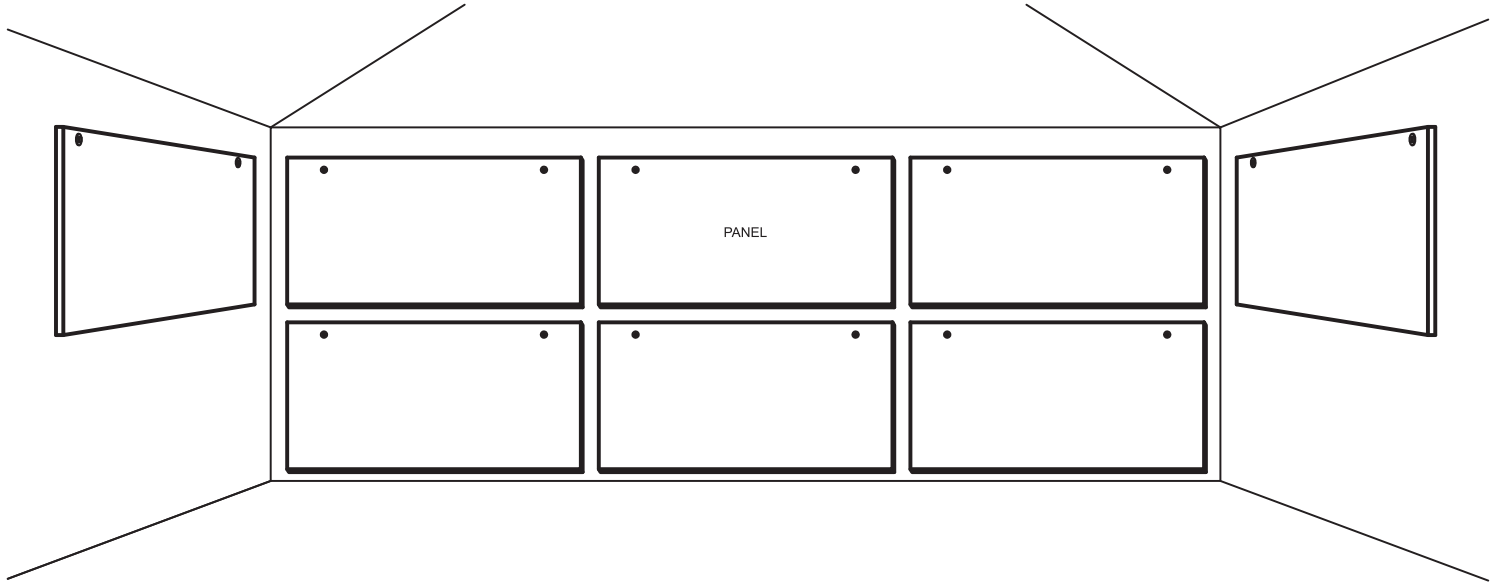
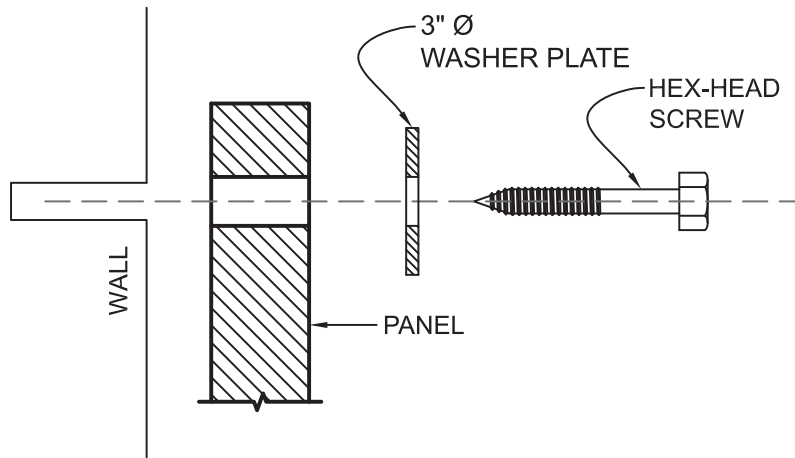


# AlphaSorb® Ripstop Nylon Acoustic Panels



1 FRONT ELEVATION  
CL-07 SCALE: NA



A ATTACHMENT DETAIL  
CL-07 SCALE: NA

**NOTE: DO NOT OVER TIGHTEN HARDWARE. DOING SO CAN CAUSE BOTTOM OF PANEL TO KICK OUT.**

Revised: 2025-04-30