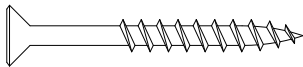


# AlphaSorb® Wood Fiber Acoustic Ceiling Tiles

## FASTENER TABLE

SCREW TYPE CHART			
PANEL THICKNESS	SUBSTRATE	RECOMMENDED SCREW TYPE	RECOMMENDED SCREW LENGTH
1"	HAT CHANNEL OR THIN METAL	SELF-TAPPING	2"
1"	WALL BOARD OR WOOD FURRING	DRYWALL SCREW	1-5/8"
1"	CONCRETE	TAPCON	2-1/4"

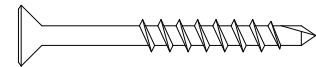
SCREW SPACING CHART		
APPLICATION	MINIMUM O.C. SPACING	MINIMUM SCREW DISTANCE FROM EDGE OF PANEL
CEILING	12"	3/4"
WALL	24"	3/4"
WALL: HIGH TRAFFIC	12"	3/4"



#6 SHARP POINT DRYWALL SCREW RECOMMENDED FOR WOOD APPLICATION



#6 CMU SCREW RECOMMENDED FOR MASONRY APPLICATION



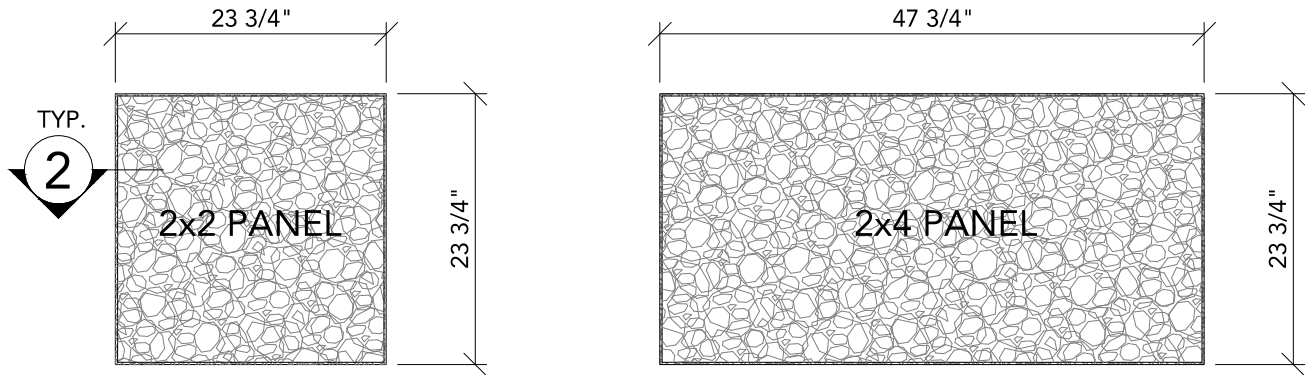
#6 SELF TAPPING SCREW RECOMMENDED FOR METAL APPLICATIONS)

### 1 RECOMMENDED FASTENERS

1' = 1'-0"

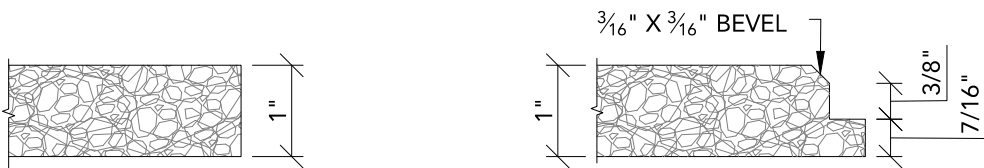
Revised: 2025-04-30

# AlphaSorb® Wood Fiber Acoustic Ceiling Tiles



## 1 TYPICAL PANEL OPTIONS

3/4" = 1'-0"

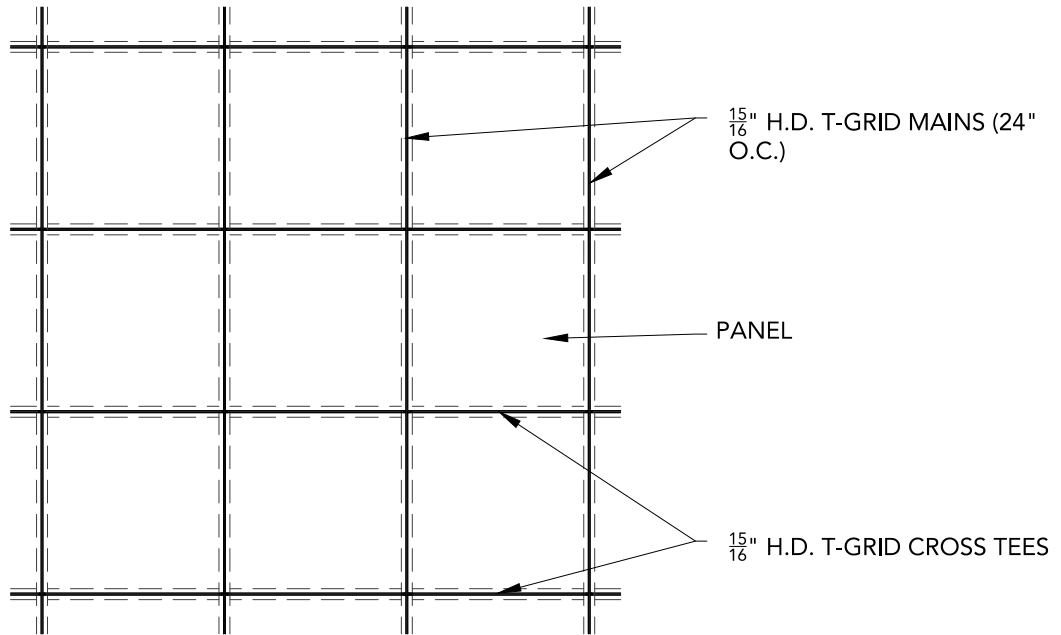


## 2 TYPICAL EDGE OPTIONS

6" = 1'-0"

Revised: 2025-04-30

# AlphaSorb® Wood Fiber Acoustic Ceiling Tiles



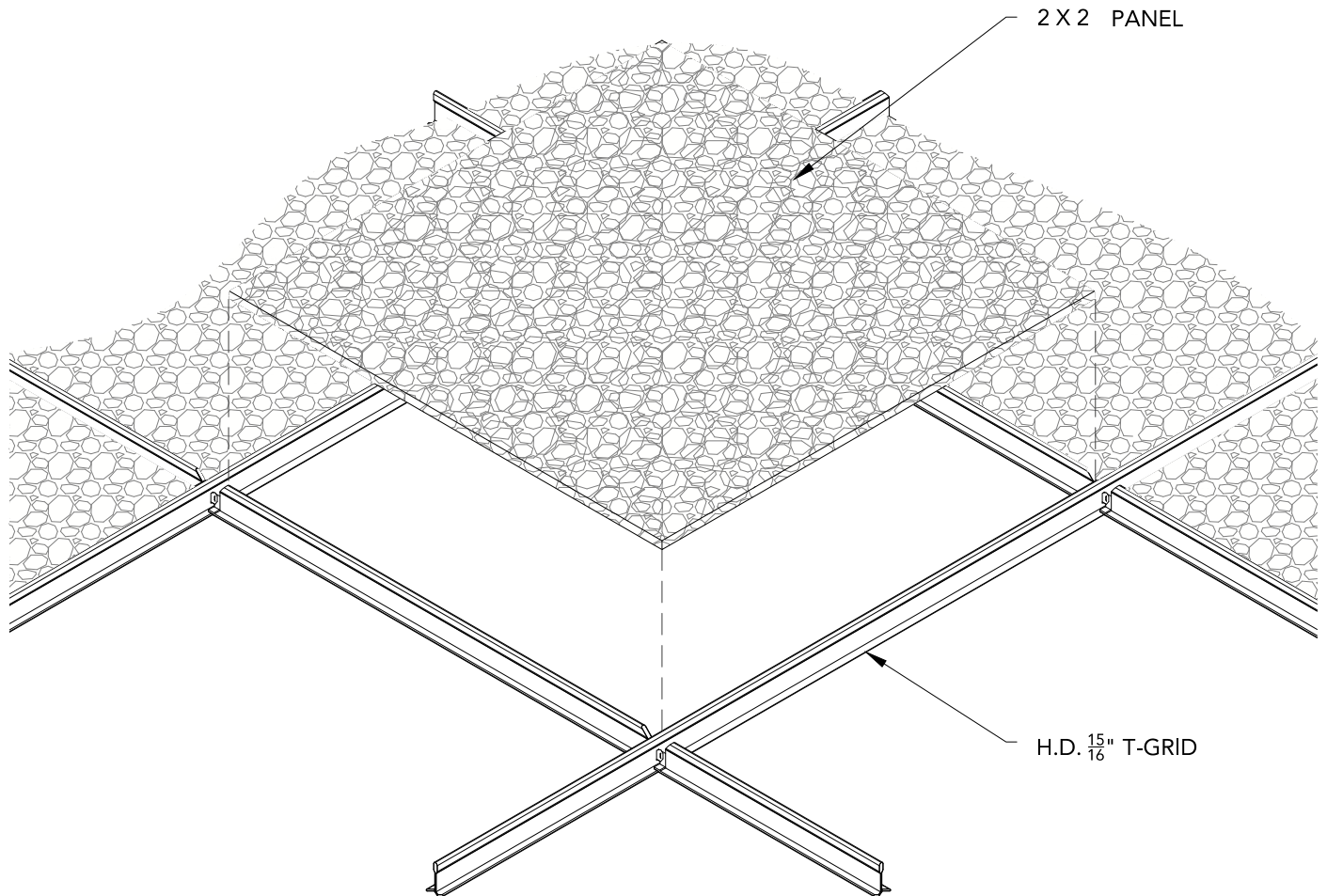
**1** TYPICAL T-GRID LAYOUT RCP  
 1/2" = 1'-0"

	PANEL SIZE	
NOMINAL	2X2	2X4
ACTUAL SIZE	23.75" X 23.75"	23.75" X 47.75"
RECOMMENDED CROSS TEE/FURRING SPACING	24" O.C.	48" O.C.

Revised: 2025-04-30

CAD DRAWINGS

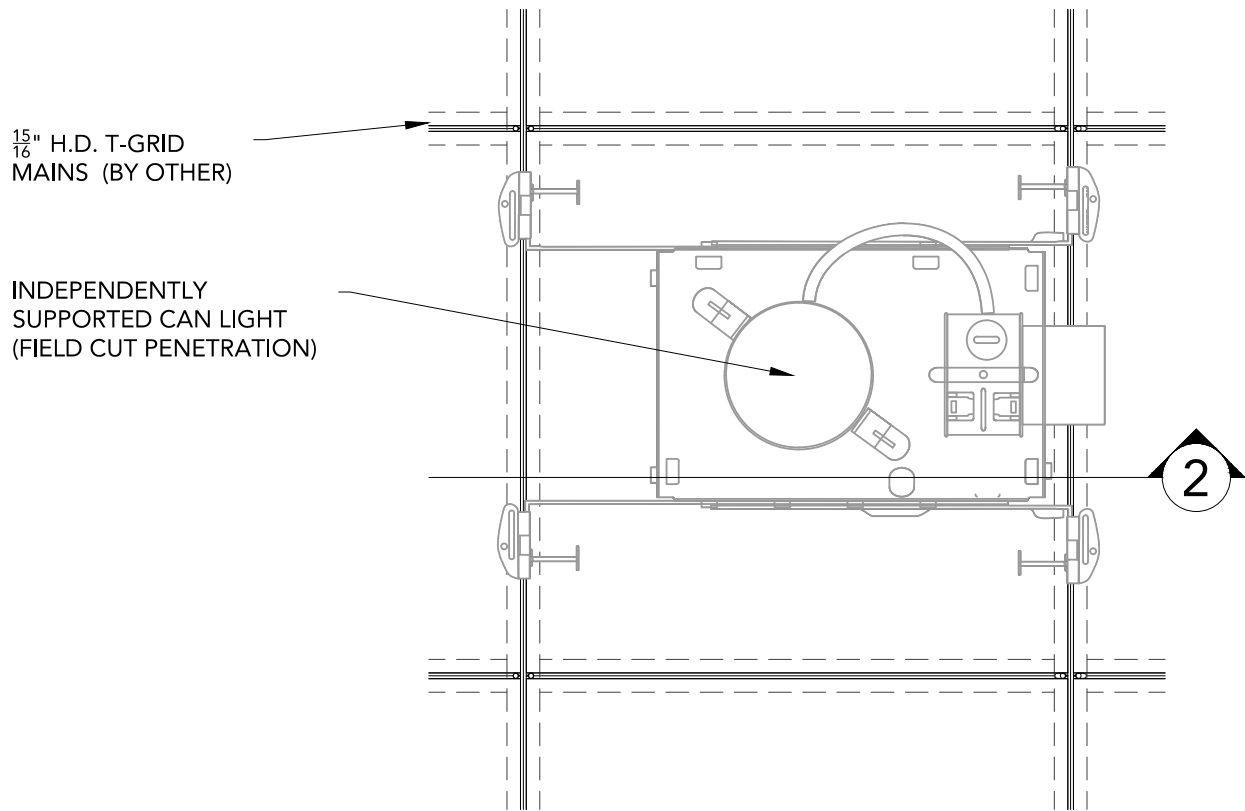
# AlphaSorb® Wood Fiber Acoustic Ceiling Tiles



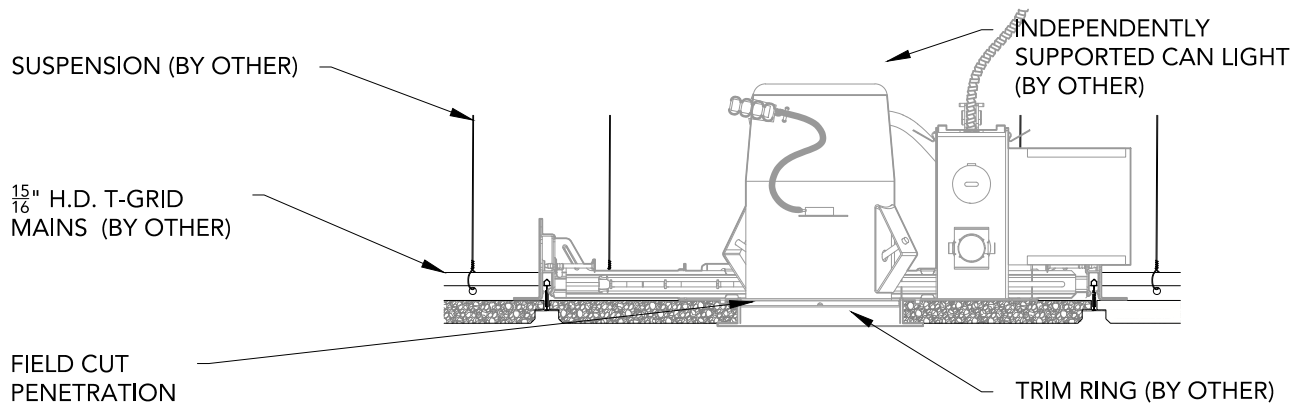
1 REGULAR ISOMETRIC  
1 1/2" = 1'-0"

Revised: 2025-04-30

# AlphaSorb® Wood Fiber Acoustic Ceiling Tiles



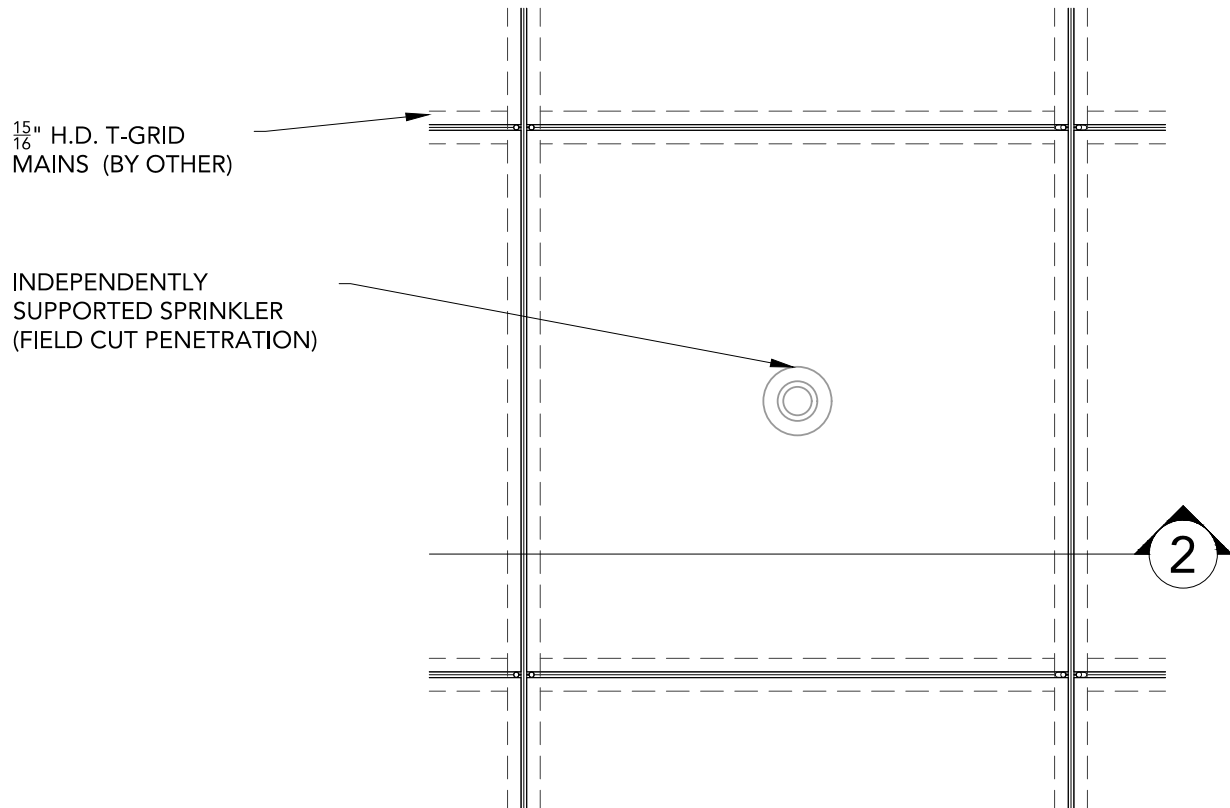
1 TEGULAR CAN LIGHT PLAN  
1 1/2" = 1'-0"



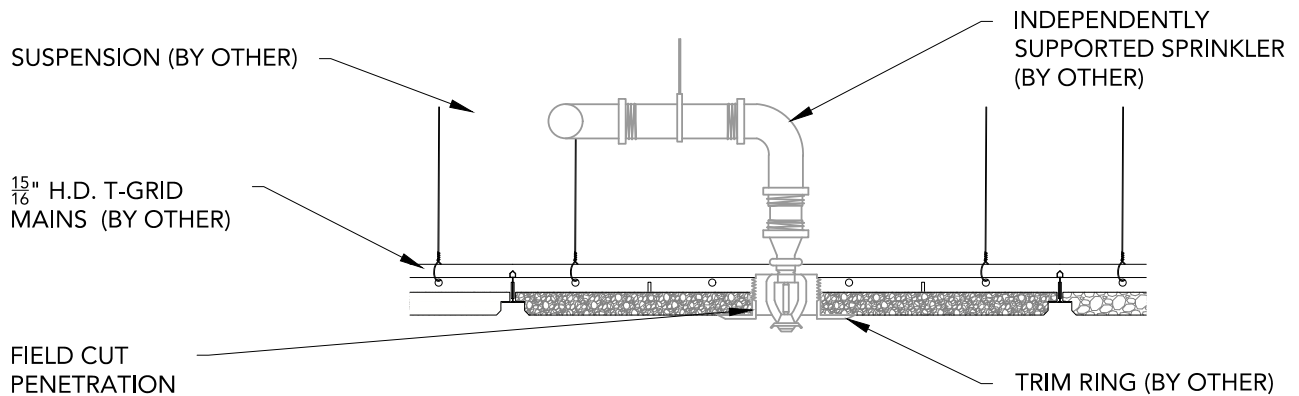
2 TEGULAR CAN LIGHT SECTION  
1 1/2" = 1'-0"

Revised: 2025-04-30

# AlphaSorb® Wood Fiber Acoustic Ceiling Tiles



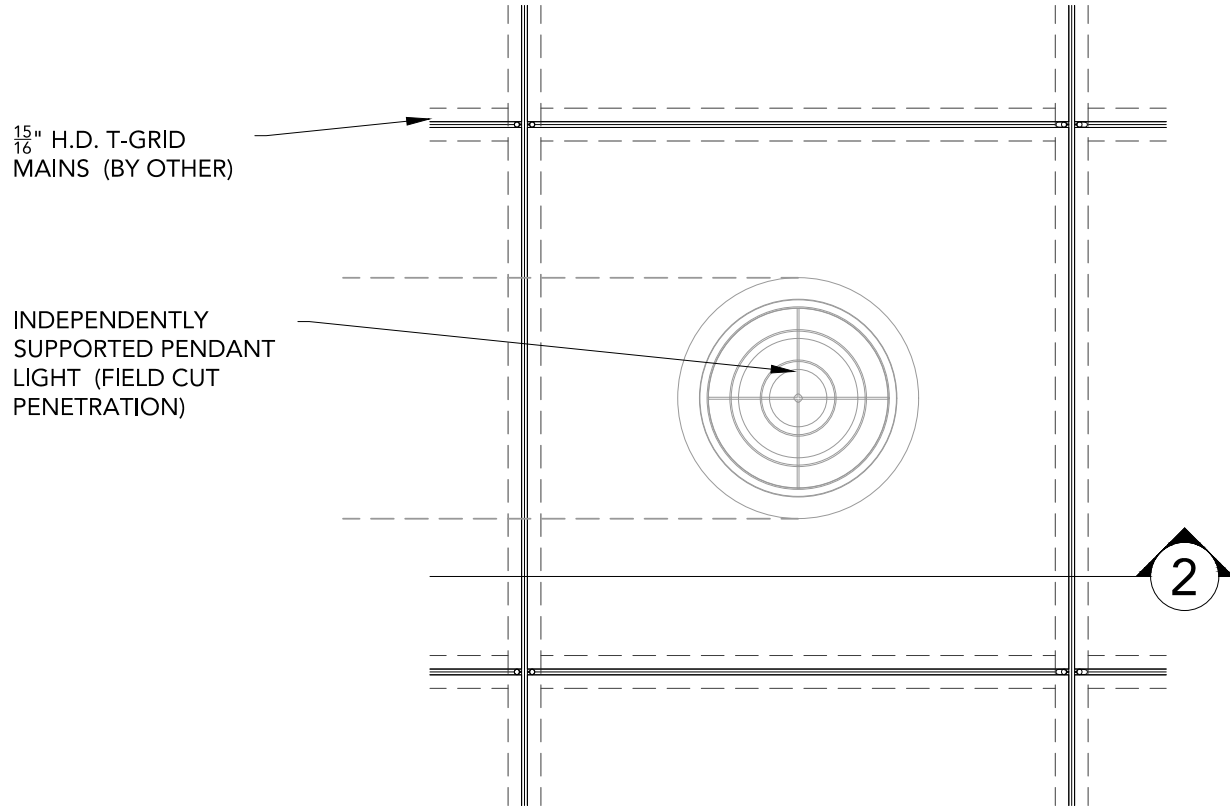
1 REGULAR SPRINKLER PLAN  
1 1/2" = 1'-0"



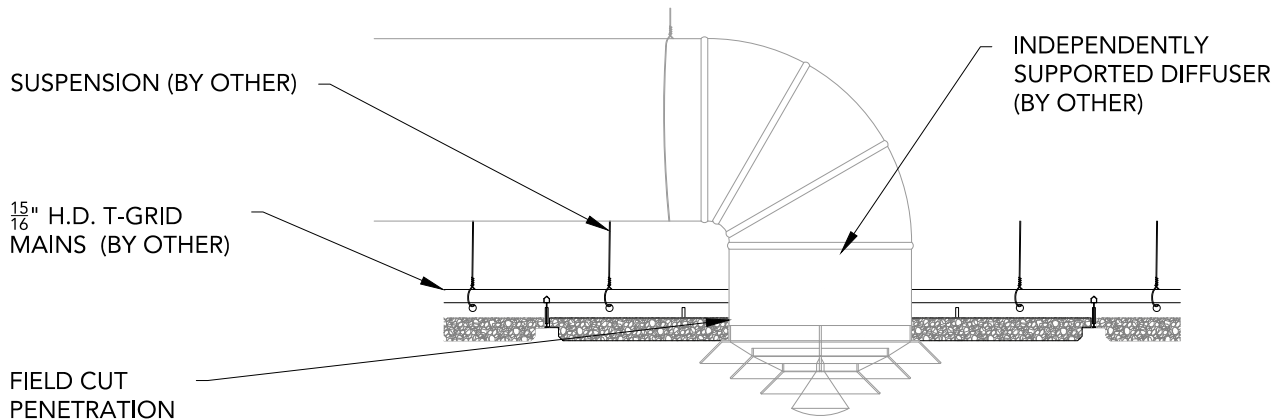
2 REGULAR SPRINKLER SECTION  
1 1/2" = 1'-0"

Revised: 2025-04-30

# AlphaSorb® Wood Fiber Acoustic Ceiling Tiles



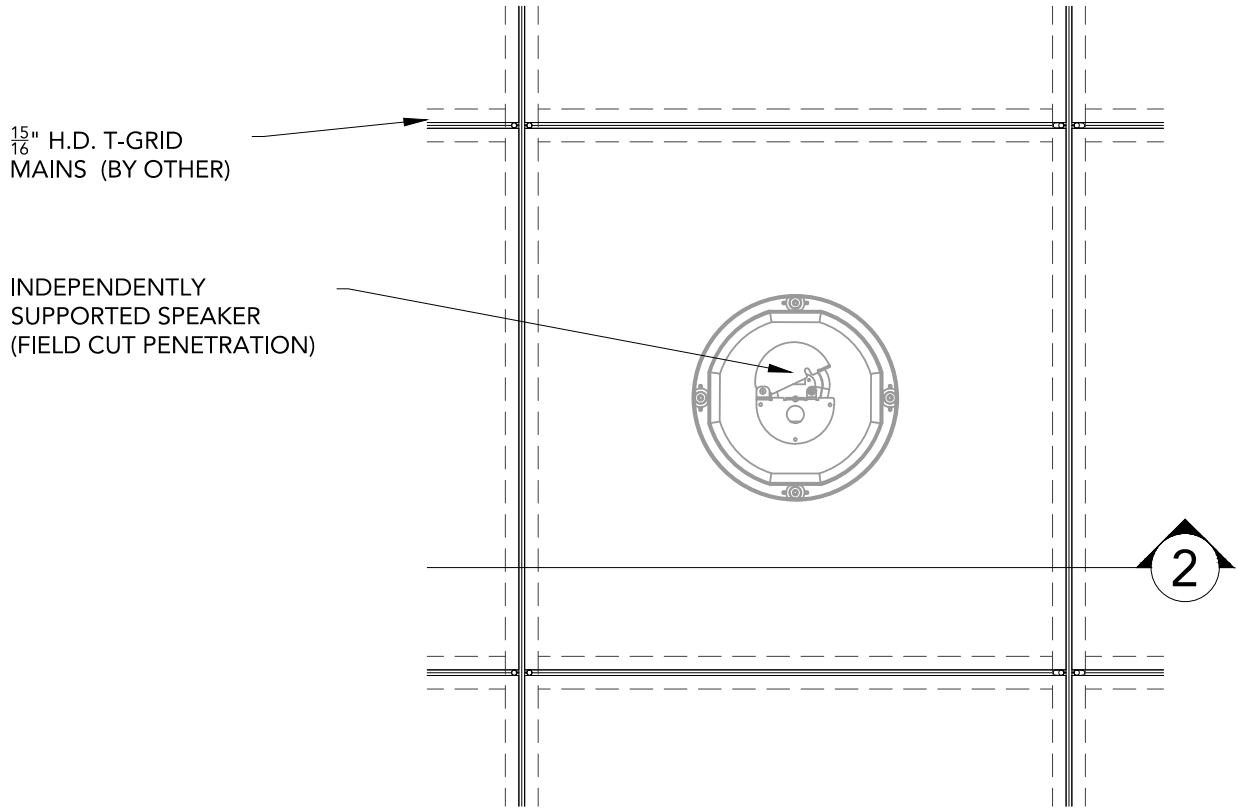
1 REGULAR DIFFUSER PLAN  
1 1/2" = 1'-0"



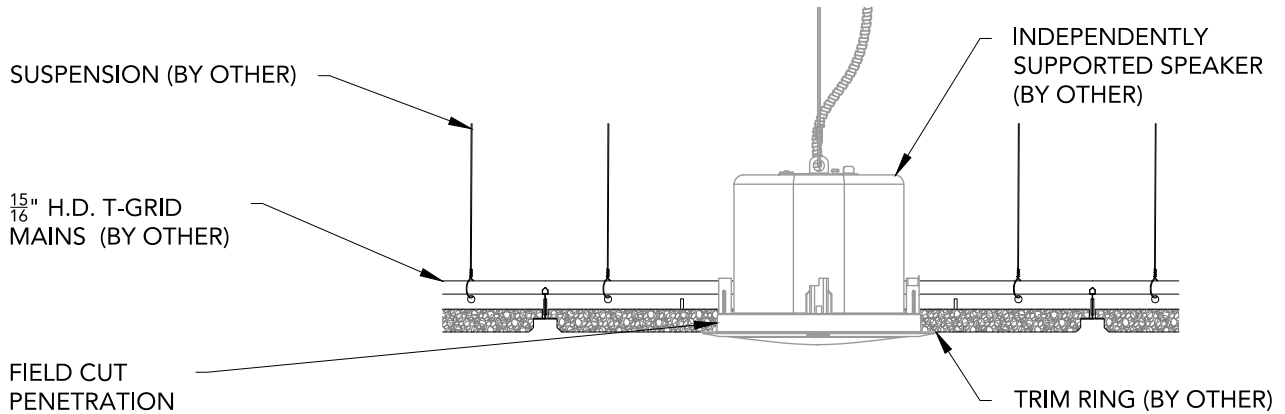
2 REGULAR DIFFUSER SECTION  
1 1/2" = 1'-0"

Revised: 2025-04-30

# AlphaSorb® Wood Fiber Acoustic Ceiling Tiles



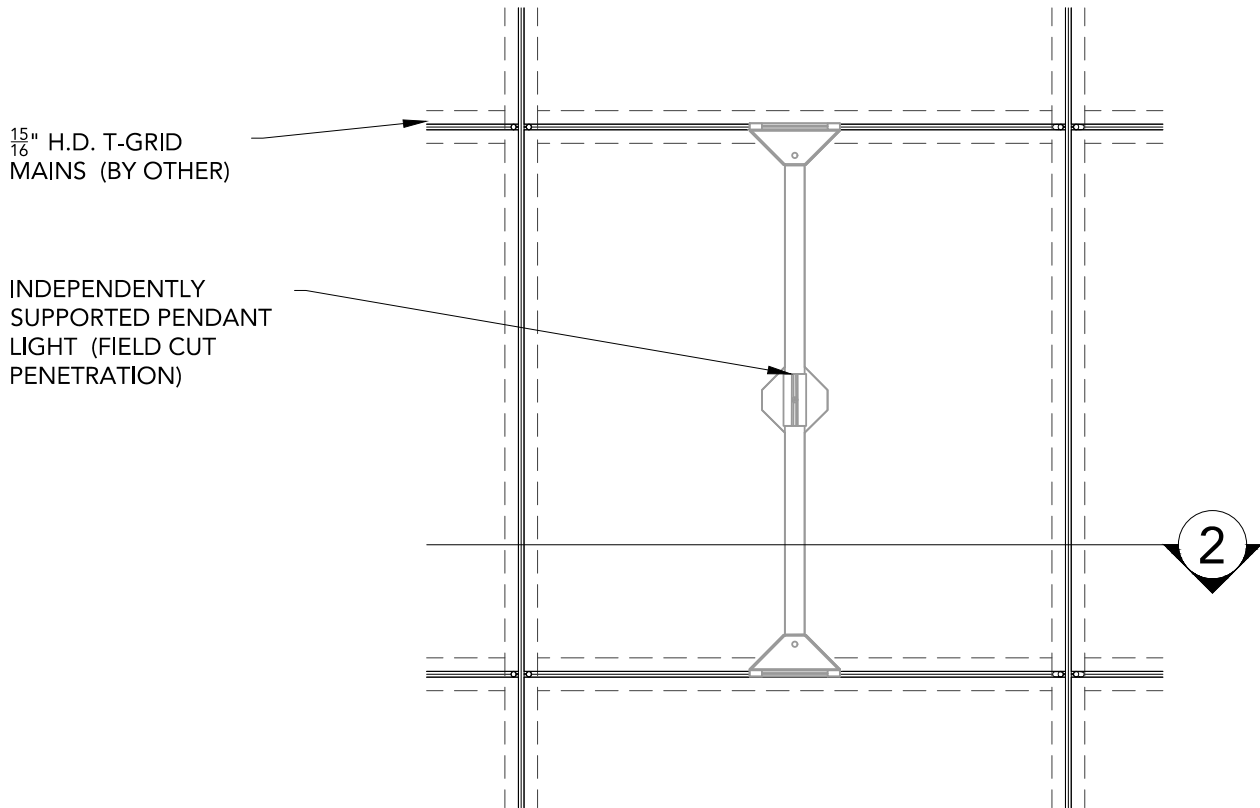
1 REGULAR SPEAKER PLAN  
1 1/2" = 1'-0"



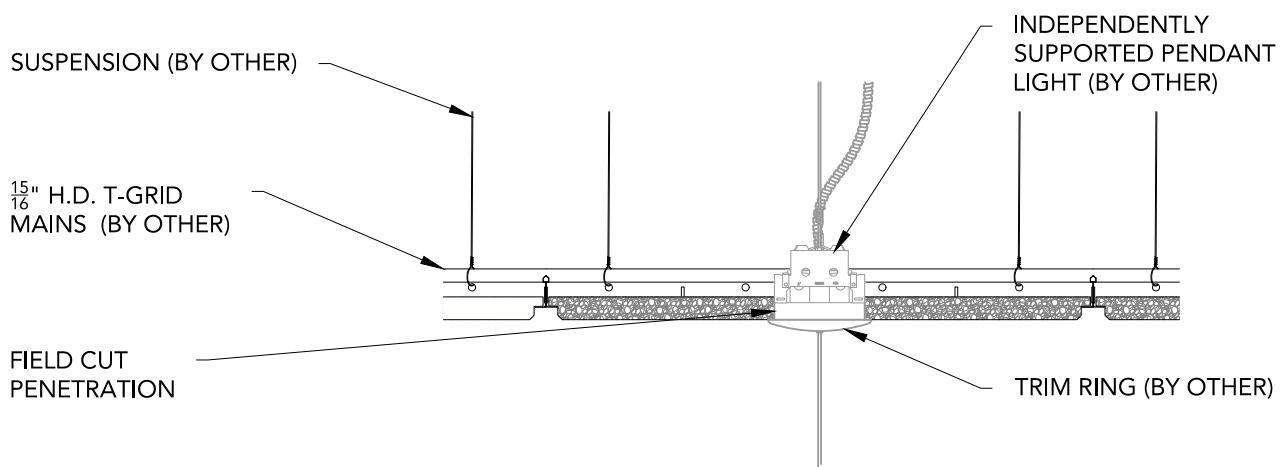
2 REGULAR SPEAKER SECTION  
1 1/2" = 1'-0"

Revised: 2025-04-30

# AlphaSorb® Wood Fiber Acoustic Ceiling Tiles



1 REGULAR PENDANT LIGHT PLAN  
1 1/2" = 1'-0"



2 REGULAR PENDANT LIGHT SECTION  
1 1/2" = 1'-0"

Revised: 2025-04-30