

## INSTALLATION GUIDE

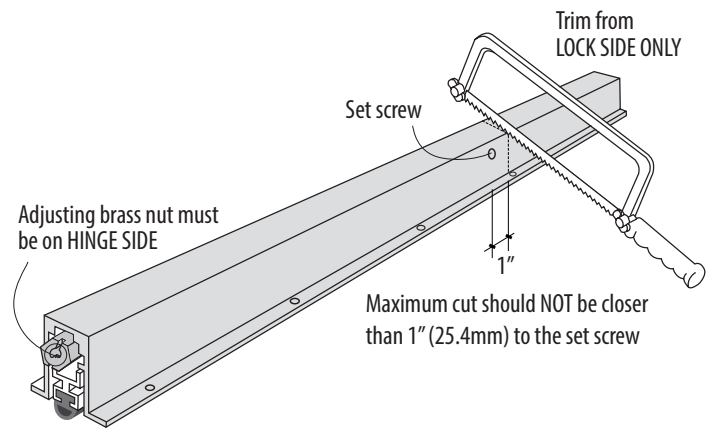
# Automatic Door Bottom

The following installation instructions are given as a general guide to avoid common errors. Installer should follow best practices for construction and workmanship. Acoustical Solutions bears no responsibility for installation or contractor selection. Please contact a sales representative if you have questions, concerns or specific project requirements.

Be sure to inspect materials upon delivery. Please note any damage on the delivery ticket and notify Acoustical Solutions immediately. Materials should be stored in original packing in a clean, climate controlled environment free of moisture. Installation should not commence until building is enclosed and under standard occupancy conditions and surfaces are of acceptable condition and properly prepared. Do not install materials of unacceptable quality.

## Trimming Instructions

1. Cut the automatic door bottom (ADB) to the size needed. Leave  $\frac{1}{16}$ " (1.6mm) clearance on each end.
2. Place the ADB on the door. All surface and semi-mortised units must be mounted on the push side of the door (side where the door stop is).
3. Fasten with screws provided. The adjusting brass nut must be on the hinge side and should not be adjusted until the unit has been mounted.
4. Optimum clearance between door bottom unit and floor or sill is  $\frac{3}{8}$ " (9.5mm). For model #369 clearance is  $\frac{5}{8}$ " (15.9mm).
5. Final adjustment to control the drop of the automatic door bottom can be made once the unit is installed, by turning the adjusting brass nut in or out. Open and close the door while adjusting the brass nut to get the desired seal with the floor or sill. Do not over adjust.



### SURFACE MOUNT



### SEMI-MORTISED



### MORTISED



Revised: 2025-04-30