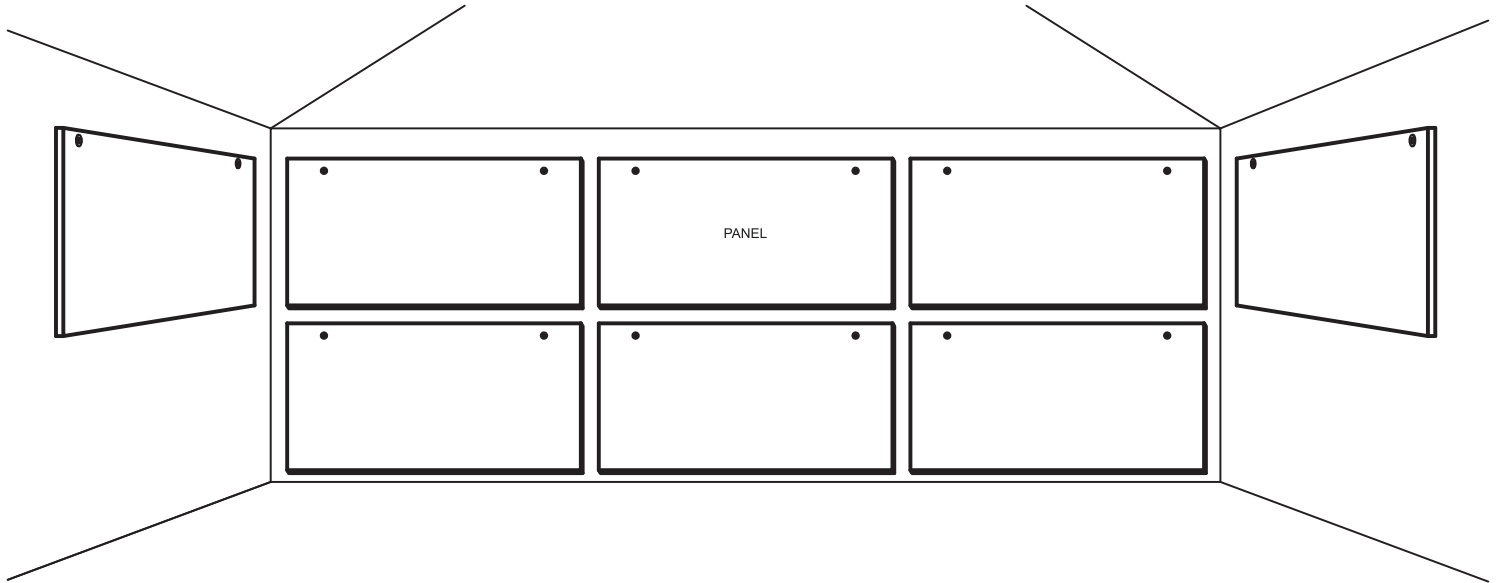
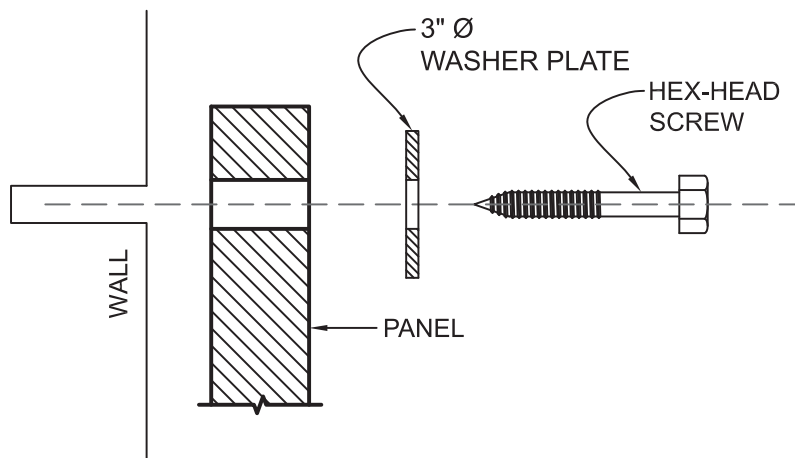


Cypress Acoustic Panel



1 FRONT ELEVATION
CL-07 SCALE: NA

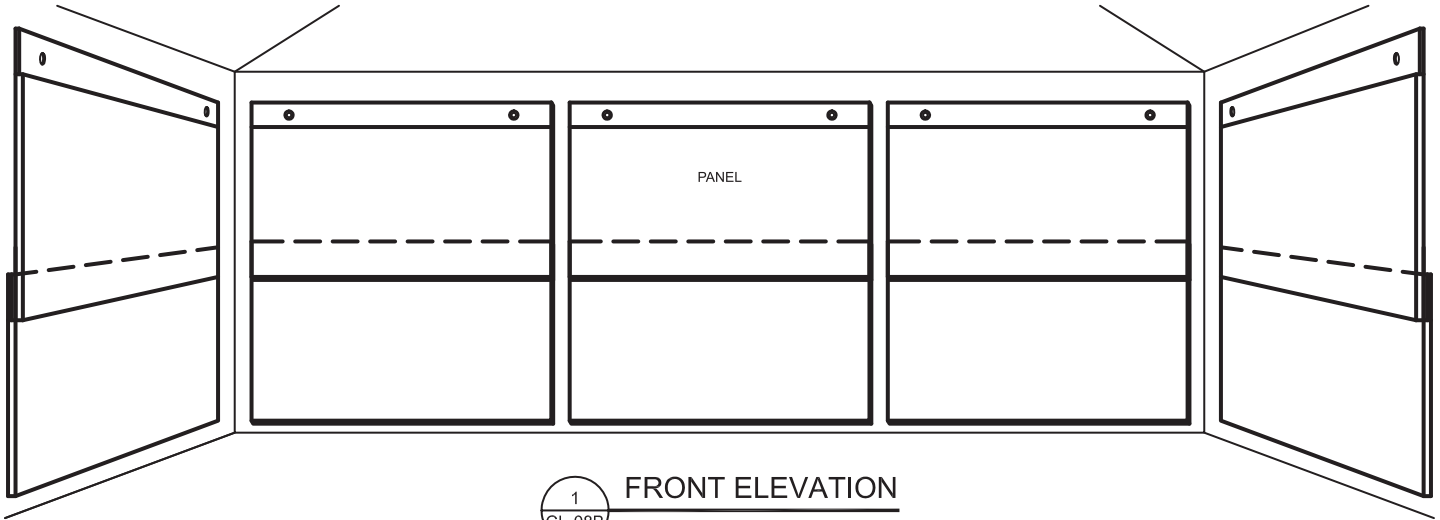


A ATTACHMENT DETAIL
CL-07 SCALE: NA

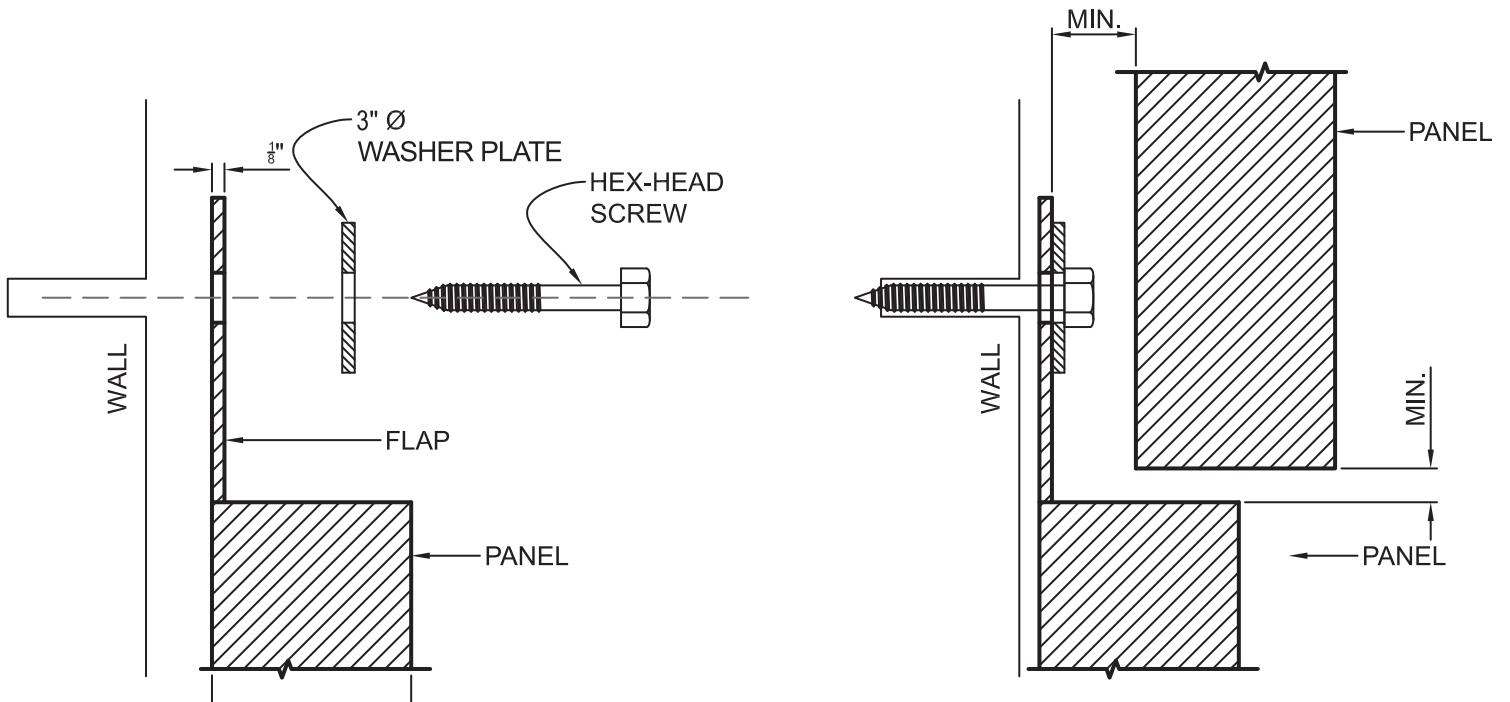
NOTE: DO NOT OVER TIGHTEN HARDWARE. DOING SO CAN CAUSE BOTTOM OF PANEL TO KICK OUT.

Revised: 2025-04-30

Cypress Acoustic Panel



1 FRONT ELEVATION
CL-08B SCALE: NA



NOTE: DO NOT OVER TIGHTEN HARDWARE. DOING SO CAN CAUSE BOTTOM OF PANEL TO KICK OUT.

Revised: 2025-04-30