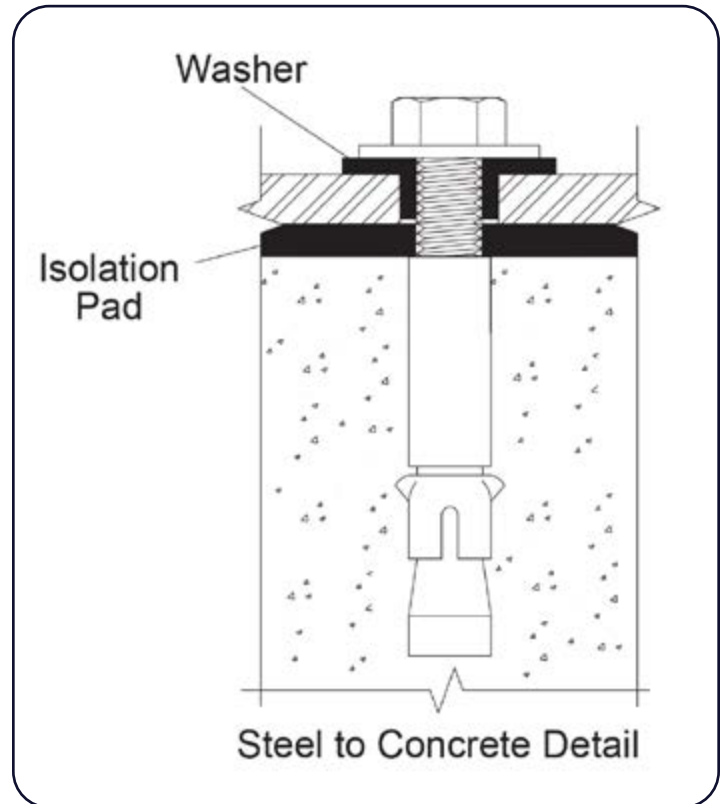
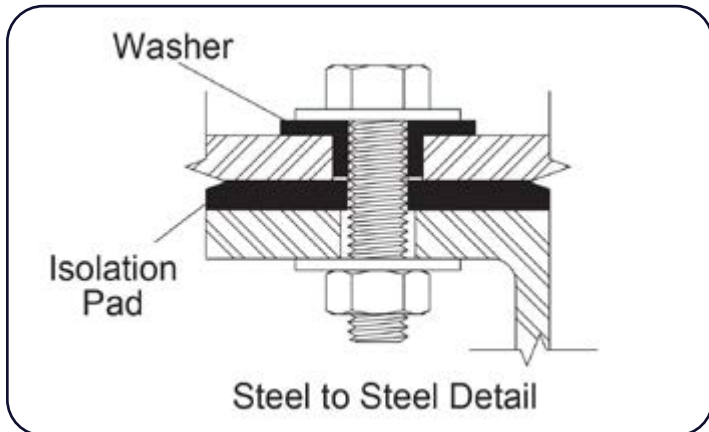


Mason Industries Washer Bushing



Acoustical Solutions is proud to offer a variety of Isolation Washer Bushings. Please feel free to review the Isolation Washer Bushing specification tables below.



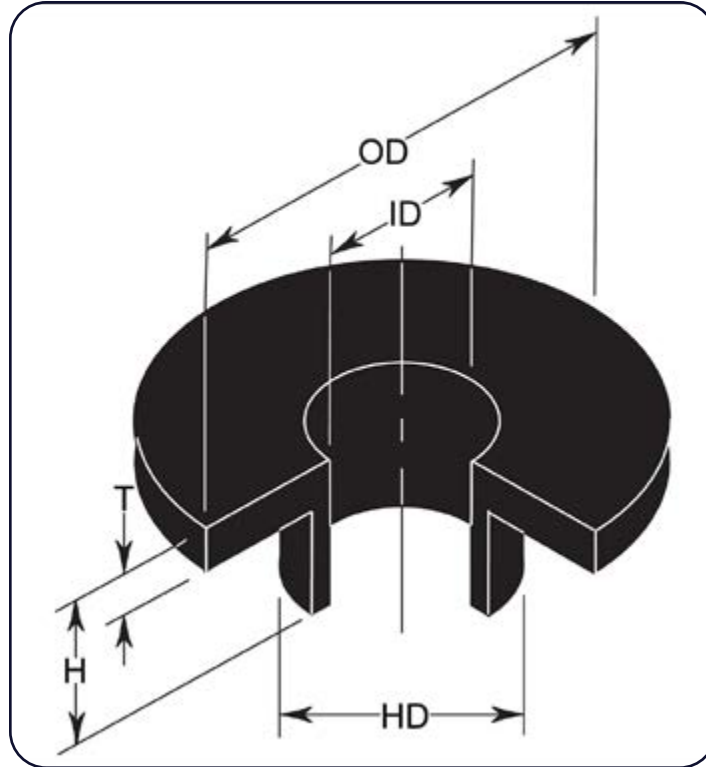
Bride-Bearing Neoprene Specifications

Original Physical Properties			Tested For Aging			Compression Set	
(a)	(b)	(b)	(c) Oven Aging (70h/212°F)		(d) Ozone	(e)	
Durometer	Tensile Strength (min)	Elongat. at Break (min)	Hardness (max)	Tensile Strength (max)	Elongat. at Break (max)	1 ppm in air by Vol 20% Straum 100F	22hrs 150°F Method B
40±5	2000 PSI	450%	+15%	±15%	-40%	No Cracks	30% (max)
50±5	2500 PSI	400%	+15%	±15%	-40%	No Cracks	25% (max)
60±5	2500 PSI	350%	+15%	±15%	-40%	No Cracks	25% (max)

(a) ASTM D-676 (b) ASTM D-142 (c) ASTM D-573 (d) ASTM D-1149 (e) ASTM D-395

Revised: 2025-04-30

Mason Industries Washer Bushing



Type HG Dimensions

Bolt Diameter		ID		HD		OD		T		H	
(in)	(mm)	(in)	(mm)	(in)	(mm)	(in)	(mm)	(in)	(mm)	(in)	(mm)
1/4	6	1/4	6	1/2	13	1	25	1/8	3	3/8	10
3/8	10	3/8	10	5/8	16	1 1/4	32	1/8	3	1/2	13
1/2	13	1/2	13	3/4	19	1 5/8	41	1/8	3	1/2	13
5/8	16	5/8	16	7/8	22	2	51	3/16	5	5/8	16
3/4	19	3/4	19	1	25	2 1/4	57	3/16	5	5/8	16
1	25	1	25	1 1/4	32	2 3/4	70	1/4	6	7/8	22
1-1/4	32	1 1/4	32	1 1/2	38	3 1/4	83	1/4	6	7/8	22
1-1/2	38	1 1/2	38	1 3/4	45	3 3/4	95	1/4	6	1	25

Revised: 2025-04-30