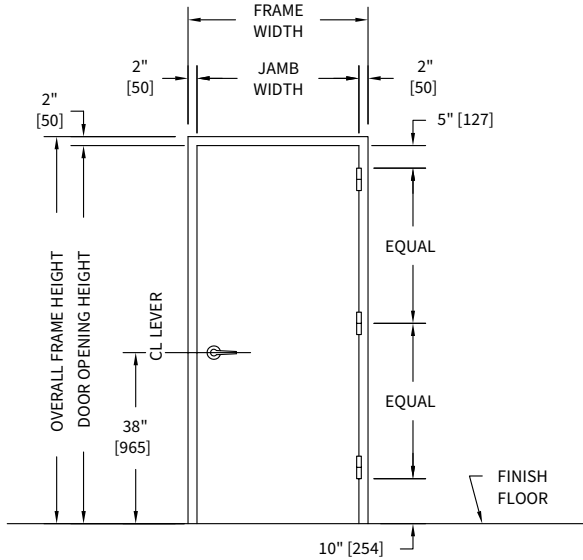


Overly Quick Ship Metal Acoustical Door

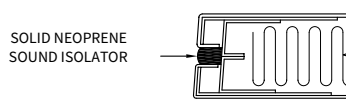
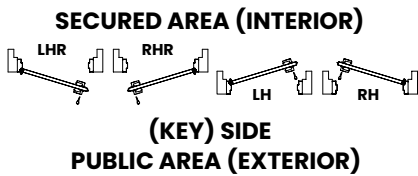
Overly Doors Model No. 5012016 / UL Fire Rated / STC 50 / Flush Sound Control Door and Frame Assembly / Single Magnetic Gaskets



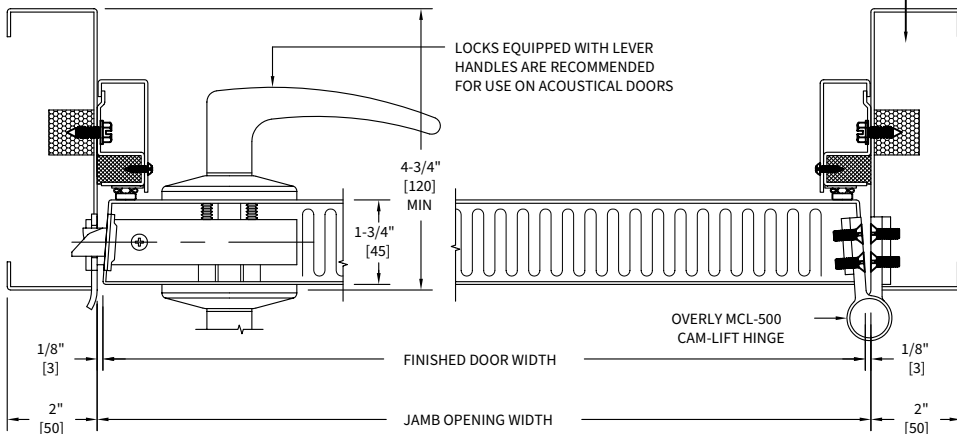
PUBLIC SIDE ELEVATION
RIGHT HAND REVERSE BEVEL SHOWN

NOTES:

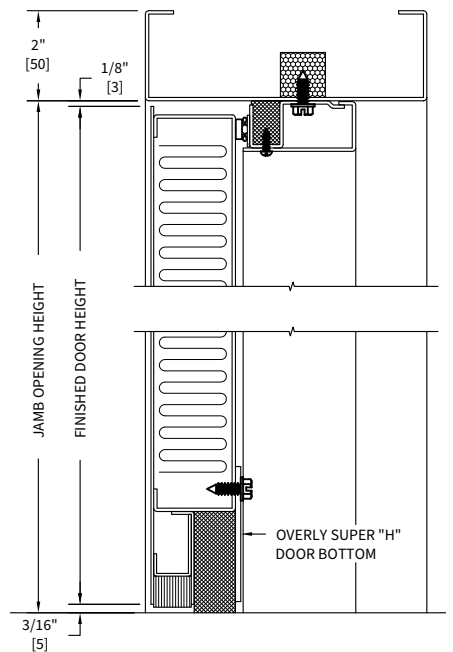
1. All exposed surfaces of door and frame to receive one coat of rust inhibitive prime paint.
2. Door bottom requires flush level sealing surface. Wood, aluminum, or stainless steel threshold recommended. Do not seal against carpet.
3. Frame is equipped with Overly single magnetic seals at head and jamps. Door is equipped with an Overly Super "H" door bottom.
4. Door weight is 10.0 pounds per square foot.
5. Door can be equipped with standard builders hardware, Customer to specify. Concealed hardware is not recommended for acoustical doors.
6. Frames equipped with masonry anchors must be grouted full in field. Bolt-in type frames must have all voids in head and jamps packed with 6 to 12 pound density mineral wool and all voids between wall and frame continuously caulked.
7. UL fire labels available in compliance with UL10B and UL10C/UBC7-2. Consult factory for specifics.
8. Unit tested as single door at Riverbank Acoustical Laboratories. Results are described in Test Report No. TL12-016 with sound transmission results as shown in chart below.
9. Door construction is covered by US Patent No. 5,417,029.
10. Door also tested without positive latching device and achieved an STC50 rating. See STC5012017 data sheet for more information.



TYPICAL EDGE CONSTRUCTION
ABOVE AND BELOW LOCK AND HINGE CUTOUTS



HORIZONTAL SECTION



VERTICAL SECTION

SOUND TRANSMISSION LOSS IN dB AT FREQUENCY / HERTZ																	
100	125	160	200	250	315	400	500	630	800	1000	1250	1600	2000	2500	3150	4000	5000
29	32	36	37	41	45	47	48	50	50	52	53	54	53	50	51	52	53

ALL DIMENSIONS BOTH IN INCHES AND MILLIMETER:

Revised: 2025-04-30