
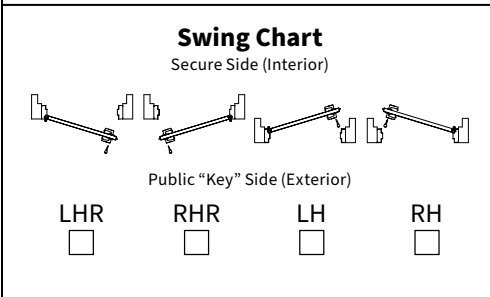


# Quick Ship Metal Acoustical Door and Frame Order Sheet

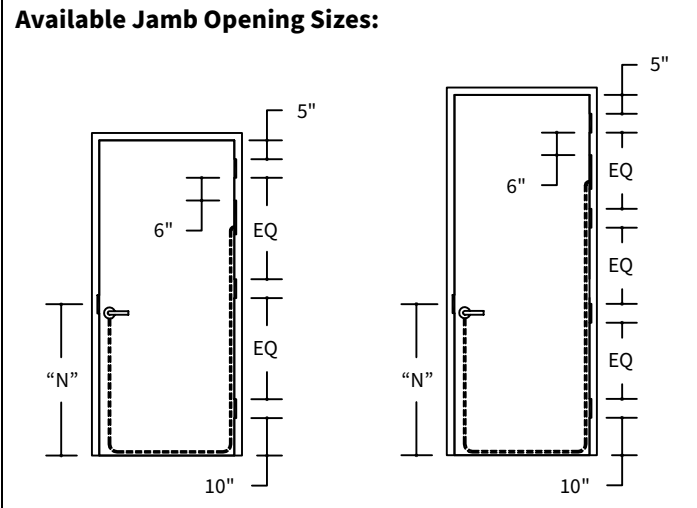
	<b>Customer:</b> _____ <b>Job Name:</b> _____ <b>Location:</b> _____ <b>Customer PO:</b> _____ <b>Mark #s:</b> _____	<b>Approved By:</b> _____ <b>Date:</b> _____ <b>Overly SO#:</b> _____ <b>Overly JO#:</b> _____
	<b>Receipt of Purchase Order to Shipment:</b> <input type="checkbox"/> 10 Day <input type="checkbox"/> 15 Day <input type="checkbox"/> 20 Day	



**Available Hardware Preps:**

<input type="checkbox"/> Government 161 Cylindrical Lock (3-3/4" Backset) <input type="checkbox"/> ANSI 86 Mortise Lock* <input type="checkbox"/> ANSI 86 Mortise Panic* <input type="checkbox"/> Rim Panic* <input type="checkbox"/> LKM 10K* Model No. _____ <input type="checkbox"/> S&G 2890B Lever X Lever <input type="checkbox"/> S&G 2890B Lever X Panic Bar <input type="checkbox"/> CDX-10 Auxilliary Lock* (20 Min. Max Fire Rating)	<b>"N"</b> 40-5/16" CL Strike 40-5/16" CL Strike 40-5/16" CL Strike (Per Template) 40-5/16" CL Strike (Per Template) 41-1/2" CL Strike 41-1/2" CL Strike 48" CL Spin Dial
--	--

\*Note: All Function Holes Drilled in Field by Installer



<input type="checkbox"/> 36" X 84" <input type="checkbox"/> 48" X 84"	<input type="checkbox"/> 36" X 96" <input type="checkbox"/> 48" X 96"
--	--

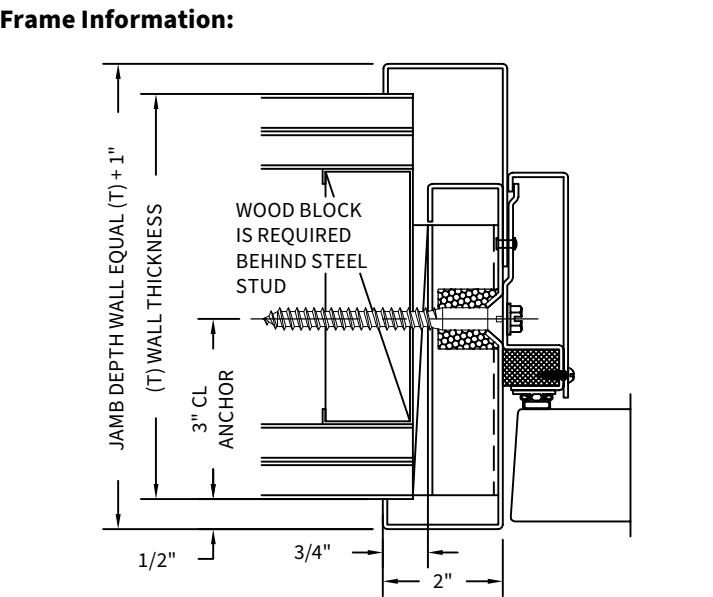
**Rough Opening Calculation**  
 Width = JOW + 3"                      Height = JOH + 1-1/2"

**Optional Positive Pressure Fire Ratings:**

<input type="checkbox"/> Not Labeled	<input type="checkbox"/> 45 Minutes
<input type="checkbox"/> 1-1/2 Hours	<input type="checkbox"/> 20 Minutes

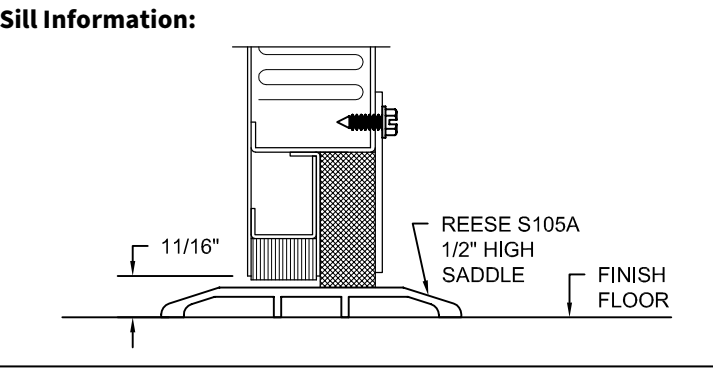
Note: Fire rating availability subject to UL approval of lock selected unless pre-approved by Local Authority Having Jurisdiction.

- Standard Features:**
- STC 50 Flush Door (No Vision Light)
  - Overly Model STC5012016
  - Carbon Steel with Overly Standard Prime Finish
  - MCL-500 Cam-Lift Hinges, as Cast
  - Single Magnetic Frame Gaskets, Super "H" Door Bottom
  - Reese S105A 1/2" High Threshold Included
  - 2-Piece Split Frame Design
  - Von Duprin EPT Prep with Filler Plate
  - Conduit from EPT to Lock or Tail End of Panic Device
  - Bolt-in Frame Anchorage for Masonry or Drywall
  - Surface-mounted Closer Reinforcement & Mounting Brackets
  - 4-7/8" ASA Strike Preparation for Cylindrical, Mortise, or Mortise Panic Locks



**Steel/Wood Stud Shown; Masonry Available Also**

<b>Available Frame Anchors</b> <input type="checkbox"/> 3/8"Ø Masonry Expansion Anchors <input type="checkbox"/> #24 Wood Stud Screw Anchors	<b>Wall Thickness</b> (T): _____ <small>Note Minimum (T): 4-7/8"</small> <small>Note Maximum (T): 11"</small>
--	--



**Ship To Address:**

\_\_\_\_\_

\_\_\_\_\_

\_\_\_\_\_

\_\_\_\_\_