

INSTALLATION GUIDE

PrivacyShield® Light Hood – 2' x 2'

The following installation instructions are given as a general guide to avoid common errors. Installer should follow best practices for construction and workmanship. Acoustical Solutions bears no responsibility for installation or contractor selection. Please contact a sales representative if you have questions, concerns or specific project requirements.

Be sure to inspect materials upon delivery. Please note any damage on the delivery ticket and notify Acoustical Solutions immediately. Materials should be stored in original packing in a clean, climate controlled environment free of moisture. Installation should not commence until building is enclosed and under standard occupancy conditions and surfaces are of acceptable condition and properly prepared. Do not install materials of unacceptable quality.

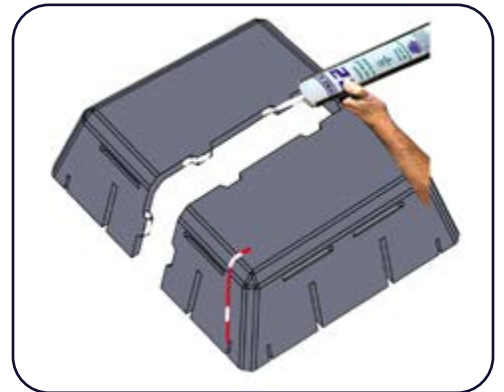
Step 1

Take one half of Light Hood into the ceiling plenum, locate ceiling support wire, and cut slit for ceiling wire to pass. Place Hood over light (corner slots align with ceiling grid). Repeat with 2nd half.



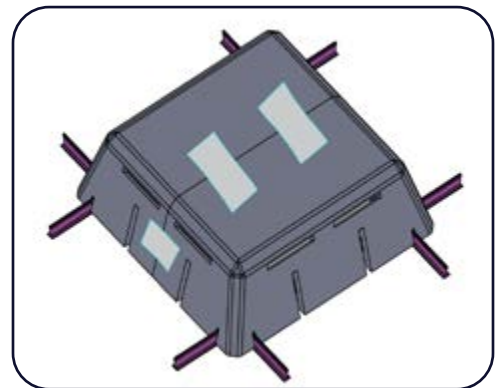
Step 2

Apply Air Seal 22 Mastic at the male strong points or female strong points in Light Hood.



Step 3

Insert nozzle into slit made for the ceiling in two spots to retain hood shape.



Step 4

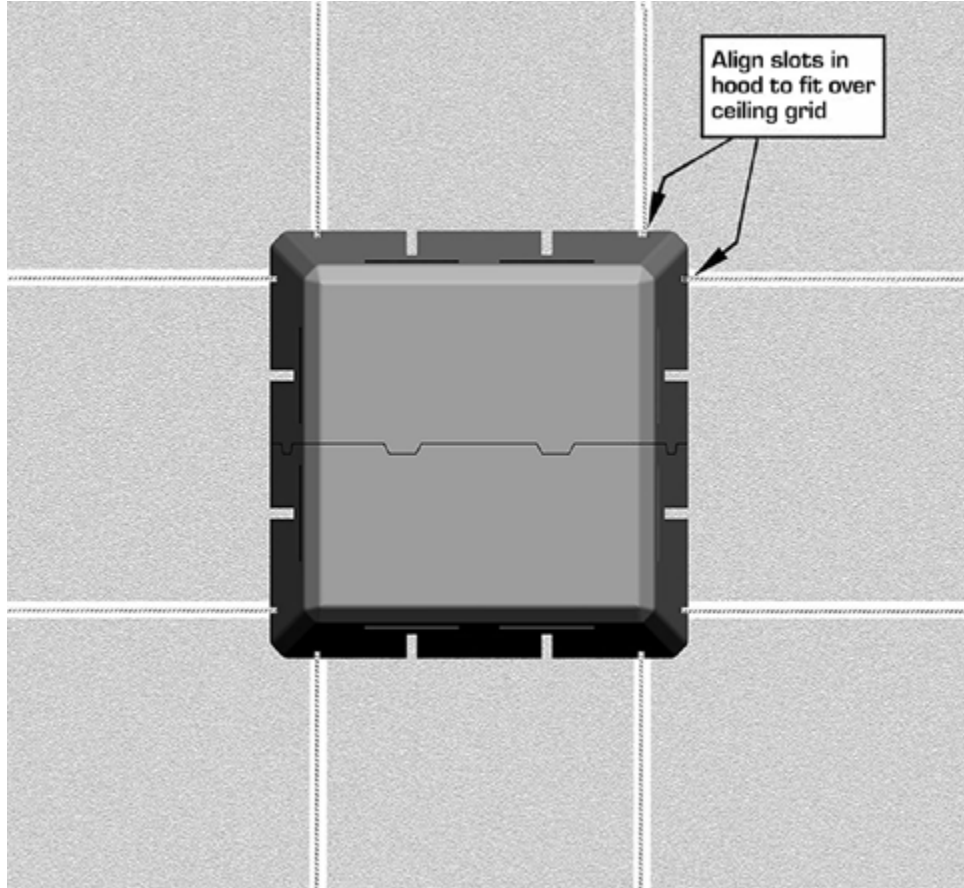
Align the Light Hood outside corners so that the pre-cut slots pass the grid to tile.

Step 5

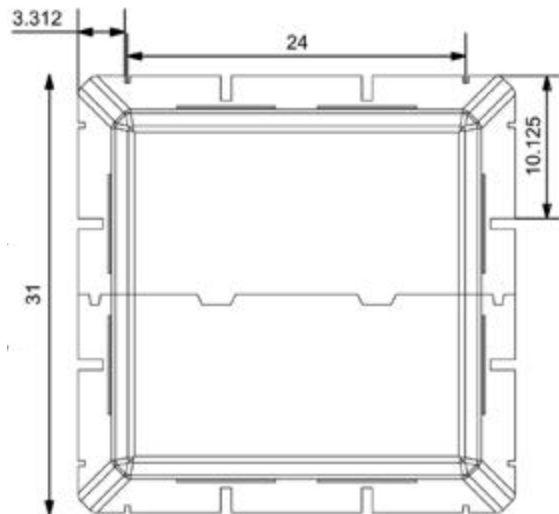
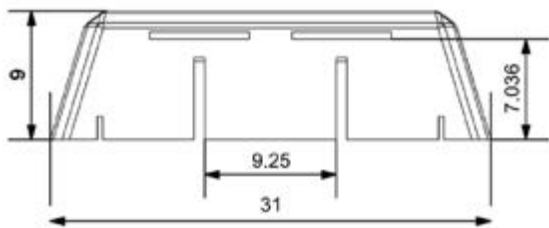
Align two halves of the Light Hood together. Apply tape to keep the 2 halves together to allow mastic to set and maintain the acoustical integrity of the Hood.

Revised: 2025-04-30

PrivacyShield® Light Hood – 2' x 2'



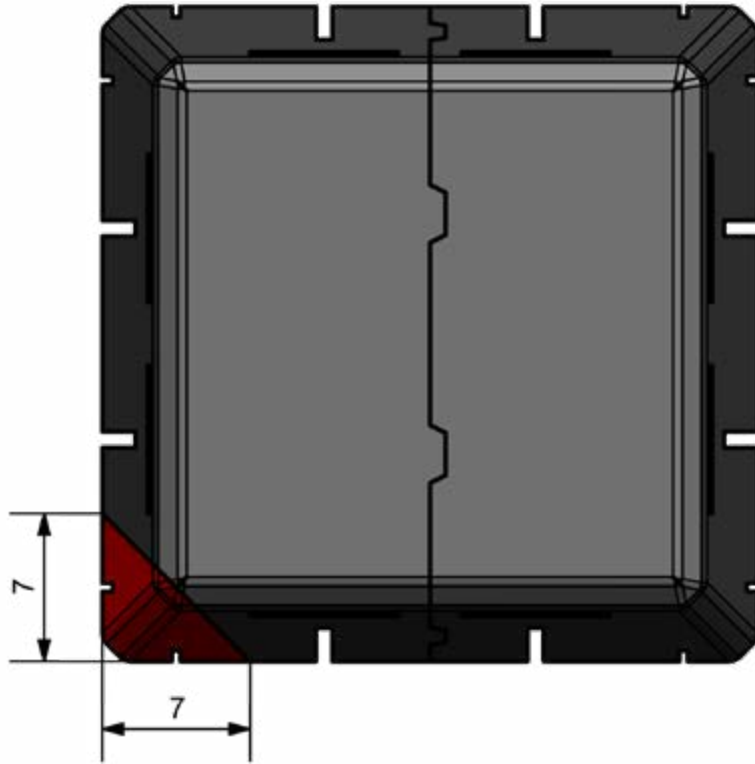
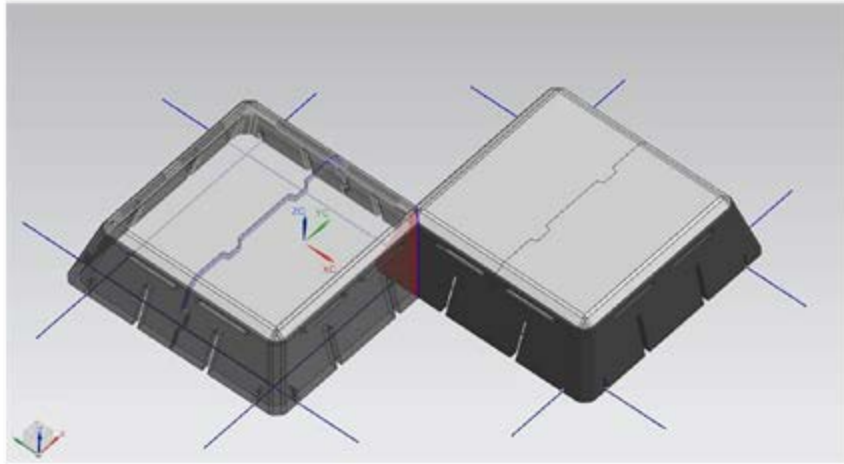
If BX cable above pre-cut slots, notch light hood to allow cable to pass through.



Revised: 2025-04-30

PrivacyShield® Light Hood – 2' x 2'

When two units meet at an adjacent corner, the edges may be cut in the following manner.



Revised: 2025-04-30