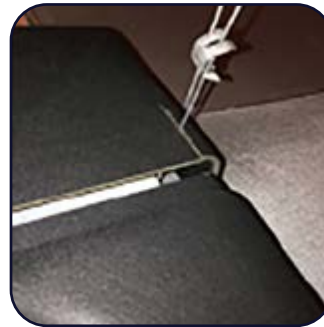
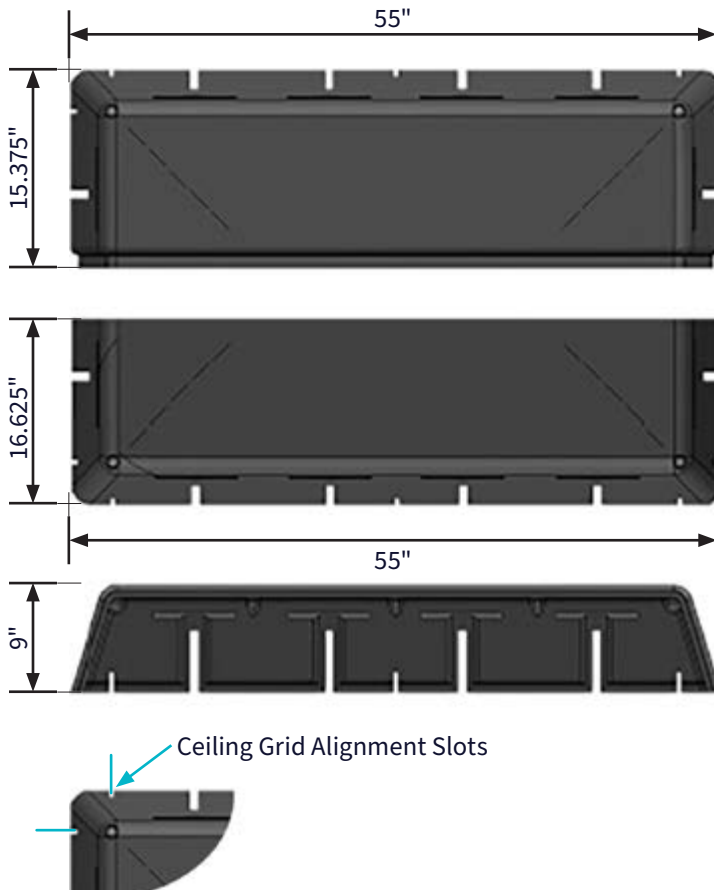


INSTALLATION GUIDE

PrivacyShield® Light Hood – 2' x 4'

The following installation instructions are given as a general guide to avoid common errors. Installer should follow best practices for construction and workmanship. Acoustical Solutions bears no responsibility for installation or contractor selection. Please contact a sales representative if you have questions, concerns or specific project requirements.

Be sure to inspect materials upon delivery. Please note any damage on the delivery ticket and notify Acoustical Solutions immediately. Materials should be stored in original packing in a clean, climate controlled environment free of moisture. Installation should not commence until building is enclosed and under standard occupancy conditions and surfaces are of acceptable condition and properly prepared. Do not install materials of unacceptable quality.



Take the Hood Half with the lower side of shiplap and place alongside the light fixture, using a knife to cut a path for the ceiling wire to pass through the Light Hood.

Open mastic tube allowing for a $\frac{3}{8}$ " bead to flow onto the lower side of the ship along entire length of the shiplap.

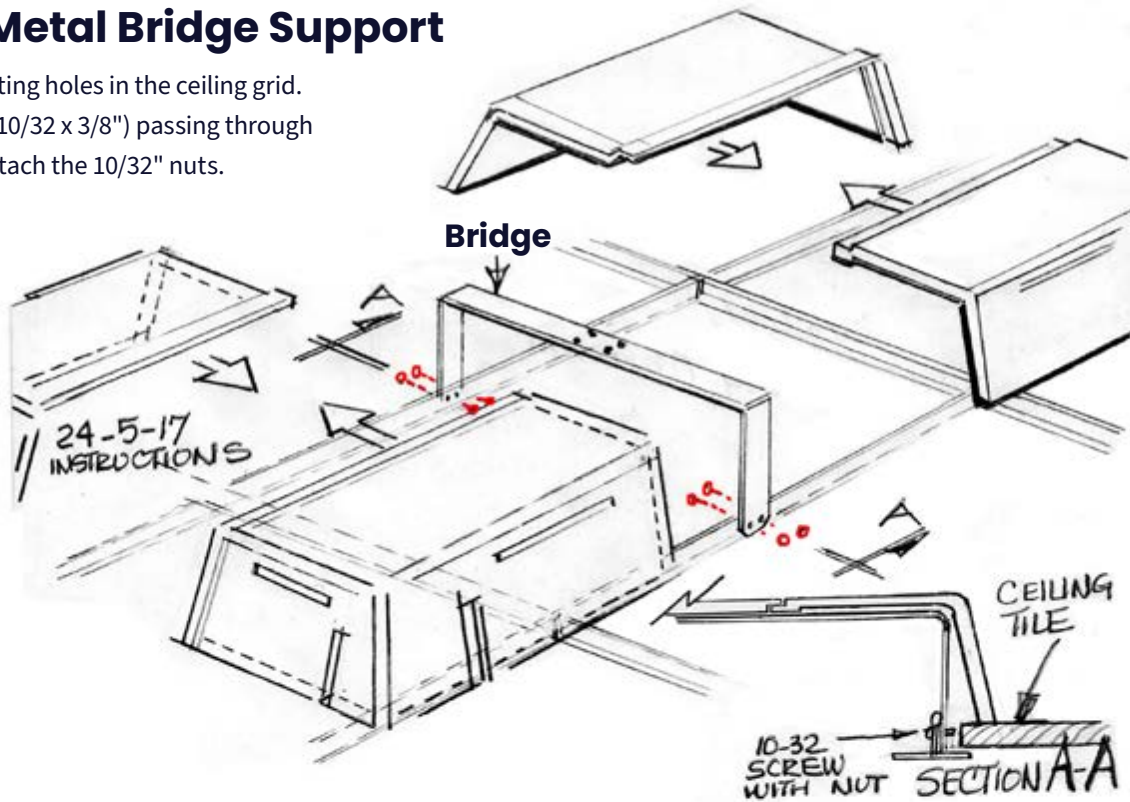
Align the second half of the Light Hood, using a knife in the same manner to allow for the second half of the Light Hood to overlap the Light Hood bonding the shiplap.

Revised: 2025-04-30

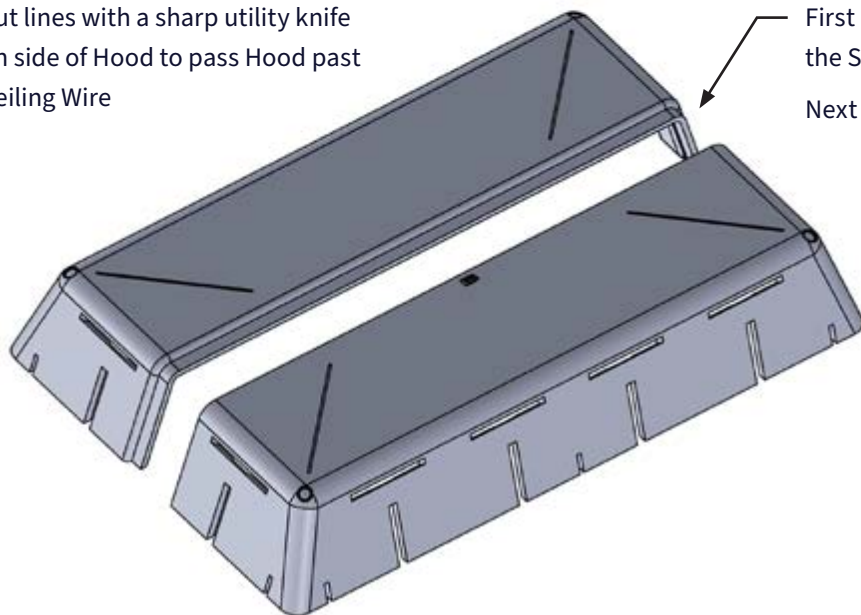
PrivacyShield® Light Hood – 2' x 4'

Install Metal Bridge Support

Utilize the existing holes in the ceiling grid.
Insert screws (10/32 x 3/8") passing through
bracket and attach the 10/32" nuts.

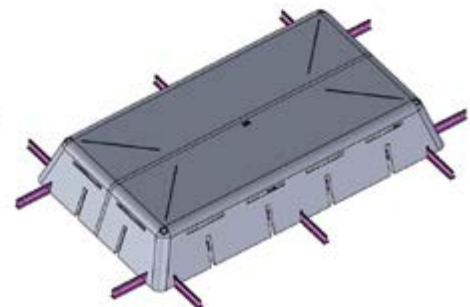


Cut lines with a sharp utility knife
on side of Hood to pass Hood past
Ceiling Wire



First install the side of Light Hood Lower Side of
the Shiplap Joint.

Next apply a bead of Mastic to Shiplap Joint.



Install other side of the Hood.

Insert tip of Mastic into cut lines, run a bead to
seal cut line, and apply tape.

Revised: 2025-04-30