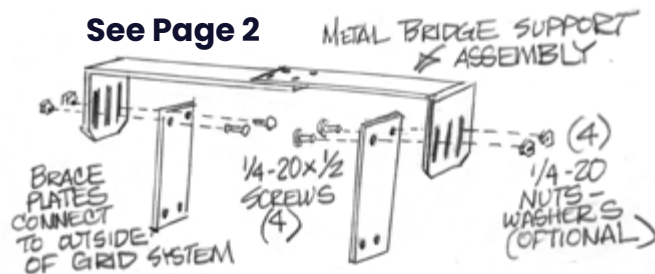
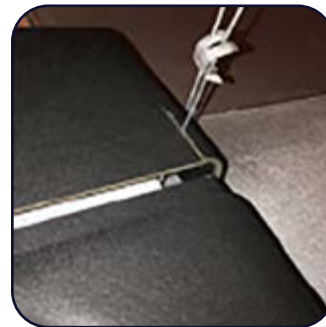
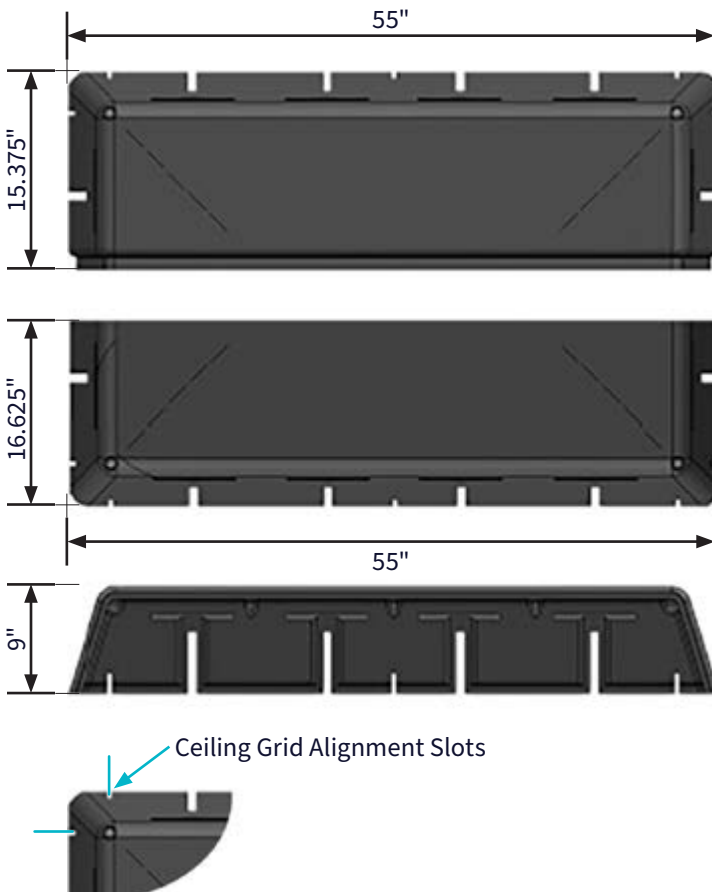


## INSTALLATION GUIDE

# PrivacyShield® Light Hood – Trapeze Assembly

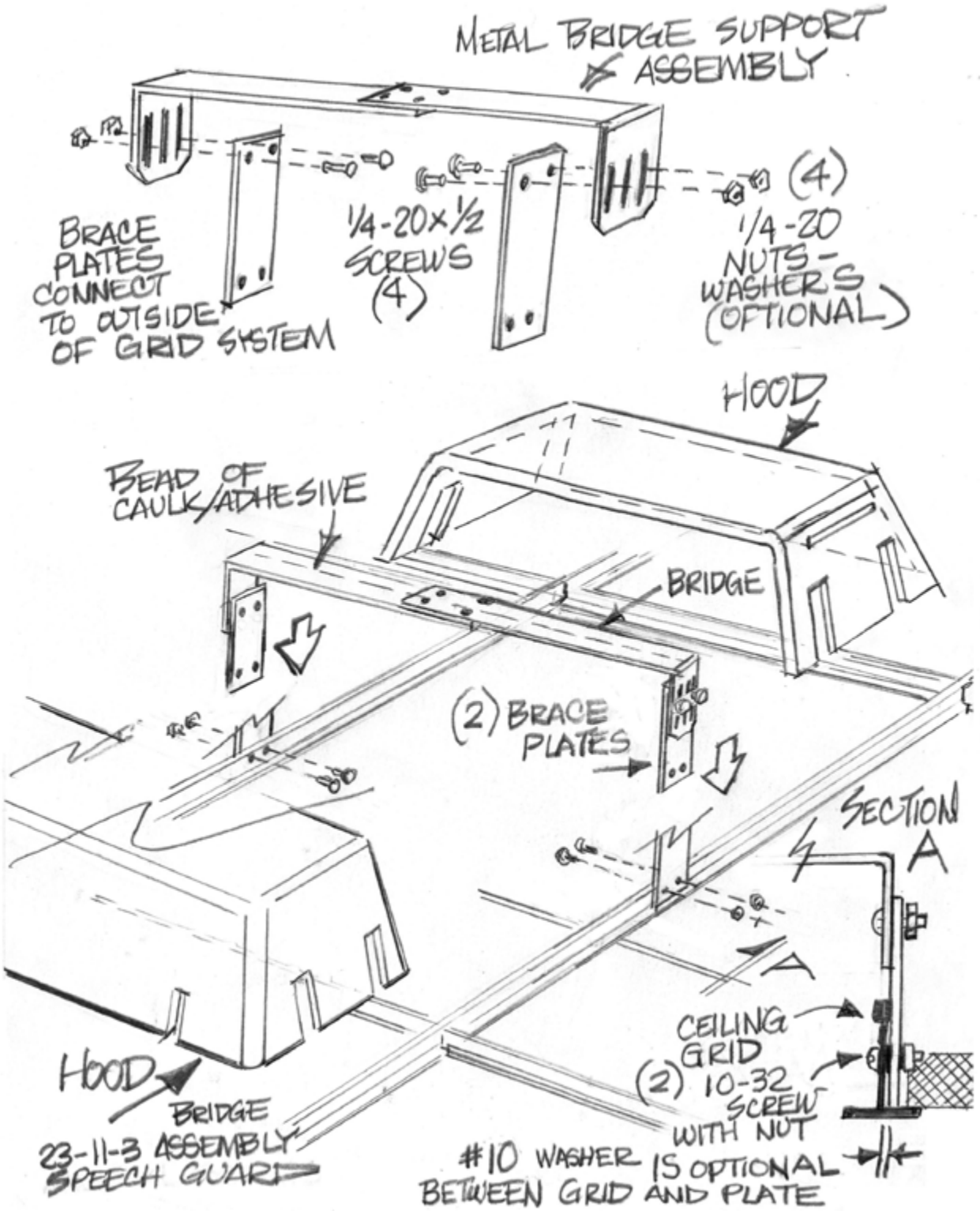
The following installation instructions are given as a general guide to avoid common errors. Installer should follow best practices for construction and workmanship. Acoustical Solutions bears no responsibility for installation or contractor selection. Please contact a sales representative if you have questions, concerns or specific project requirements.

Be sure to inspect materials upon delivery. Please note any damage on the delivery ticket and notify Acoustical Solutions immediately. Materials should be stored in original packing in a clean, climate controlled environment free of moisture. Installation should not commence until building is enclosed and under standard occupancy conditions and surfaces are of acceptable condition and properly prepared. Do not install materials of unacceptable quality.



Revised: 2025-04-30

# PrivacyShield® Light Hood – Trapeze Assembly



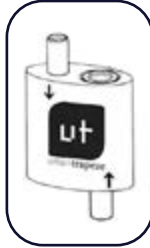
Revised: 2025-04-30

# PrivacyShield® Light Hood – Trapeze Assembly

## Directions

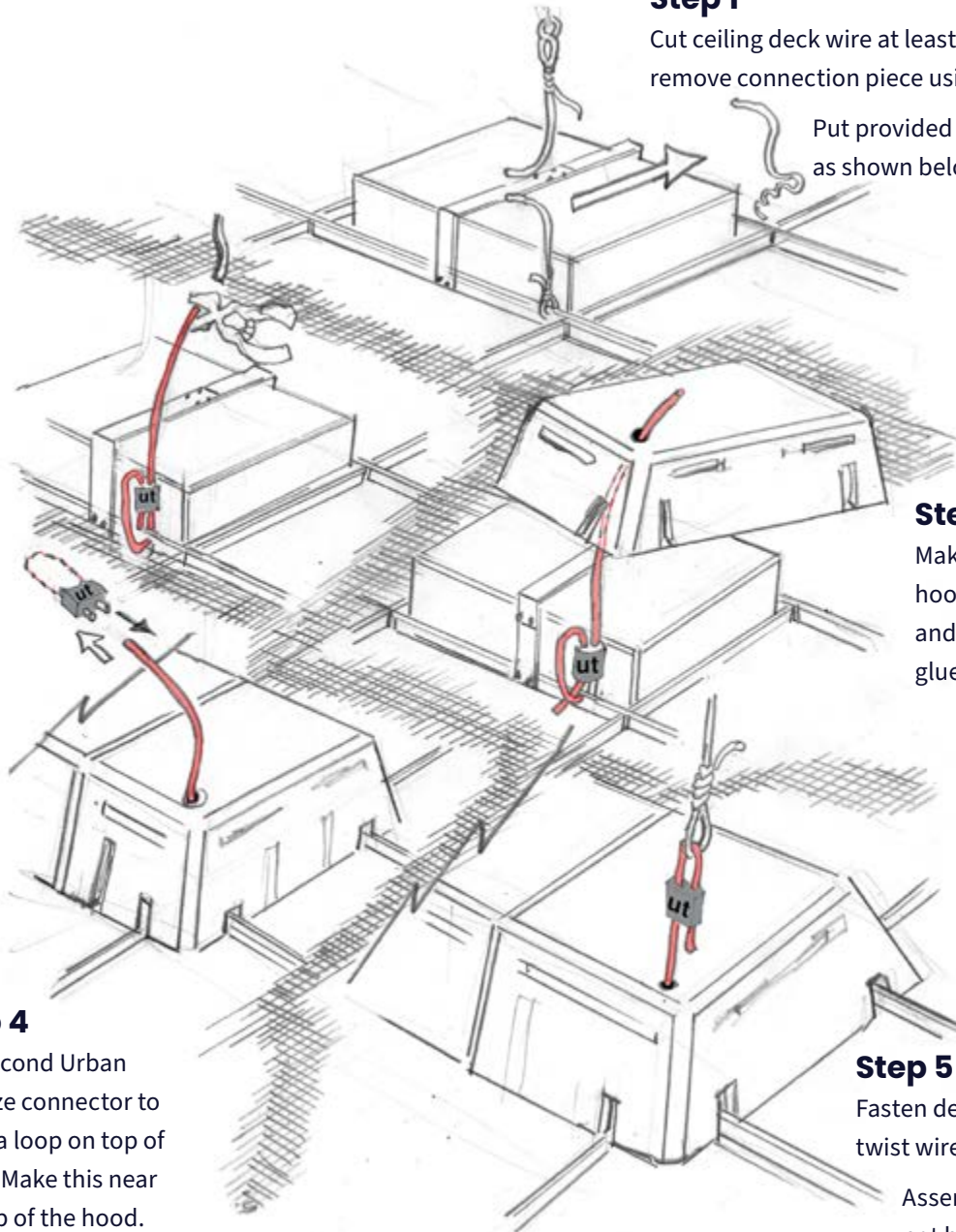
Connection to ceiling deck when cable must be fed thru SPEECH GUARD HOOD:

This view shows bridge installed. Left side hood not shown; it might help to have it in place so next half will glue to it (over bridge).



### Step 2

Put cable thru the Urban Trapeze connector; cut length to be approx. 48".



### Step 1

Cut ceiling deck wire at least 9" from grid and remove connection piece using snips.

Put provided cable thru same hole as shown below.

### Step 3

Make a 3/16" hole in hood to feed cable thru and install hood with glued seam.

### Step 4

Use second Urban Trapeze connector to make a loop on top of cable. Make this near the top of the hood.

### Step 5

Fasten deck wire to loop and twist wire 3-4 times as per code

Assembly should not be loose.

Revised: 2025-04-30