

PRODUCT DATA SHEET

PrivacyShield® Soundproofing Door Seal Kit (Complete Set)

Our Acoustic Door Seal Kit includes jamb seals, a threshold seal and an automatic door bottom to acoustically seal doors. Unsealed gaps and clearances in door assemblies effectively cancel out the soundproofing benefits of the highest-rated acoustical doors. You can use these acoustic door seal kits on a range of wood or metal doors to reinforce the STC (Sound Transmission Loss) of the existing doors and walls.

A 1% opening around a door will allow up to 50% of the sound energy to pass through that opening. Consider this: a 1/8" opening around all four sides of a door will reduce the effective rating of an STC 52 door down to an STC 21, guaranteeing very poor acoustical performance. Our Acoustical Door Seal Kits close off these clearances or openings.

Each Acoustic Door Seal Kit includes an automatic door bottom, which is spring operated, dropping a neoprene seal onto a threshold and effectively sealing off the bottom of the door. In addition to that, our Acoustic Door Seal Kits include high-grade neoprene door jamb seals for the vertical sides and top of the door and a threshold.

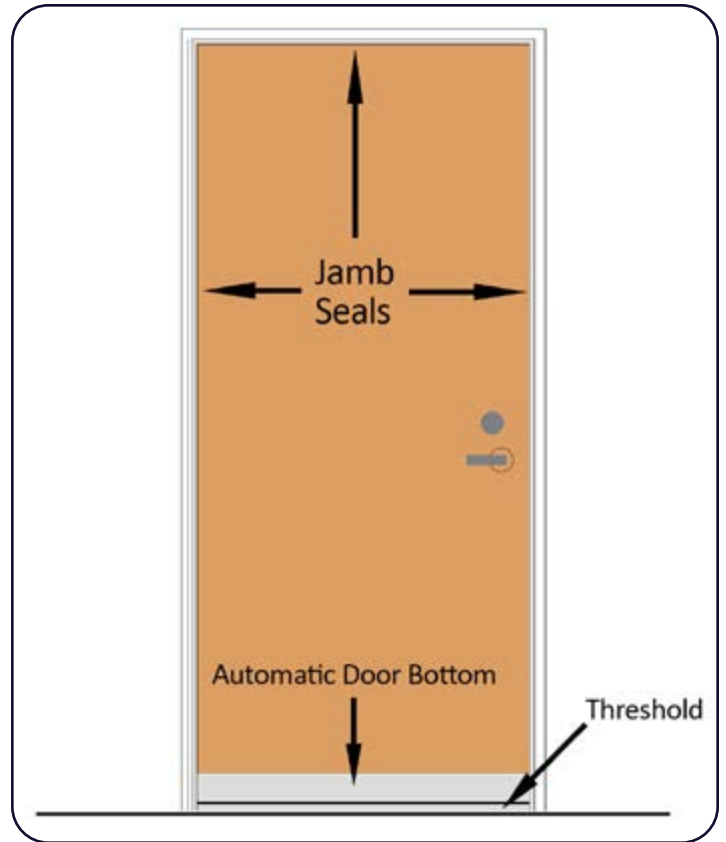
You can field cut these door jambs to shorter lengths to fit smaller doors. You can also trim the automatic door bottom, but cuts should not be closer than 1" to the set screw. Thresholds are field cut to fit between existing door jamb.

Custom door seals are available for oversized doors as well as double doors. These products are manufactured with a tolerance of +/- 1/8".

Kit Sizes

- 30" x 80"
- 30" x 84"
- 32" x 80"
- 32" x 84"
- 36" x 80"
- 36" x 84"
- 48" x 80"
- 48" x 84"

Revised: 2025-04-30



Configurations

We supply each of the following kits with the same 367 automatic door bottom and offer you a choice of two thresholds. All components have a clear anodized aluminum finish.

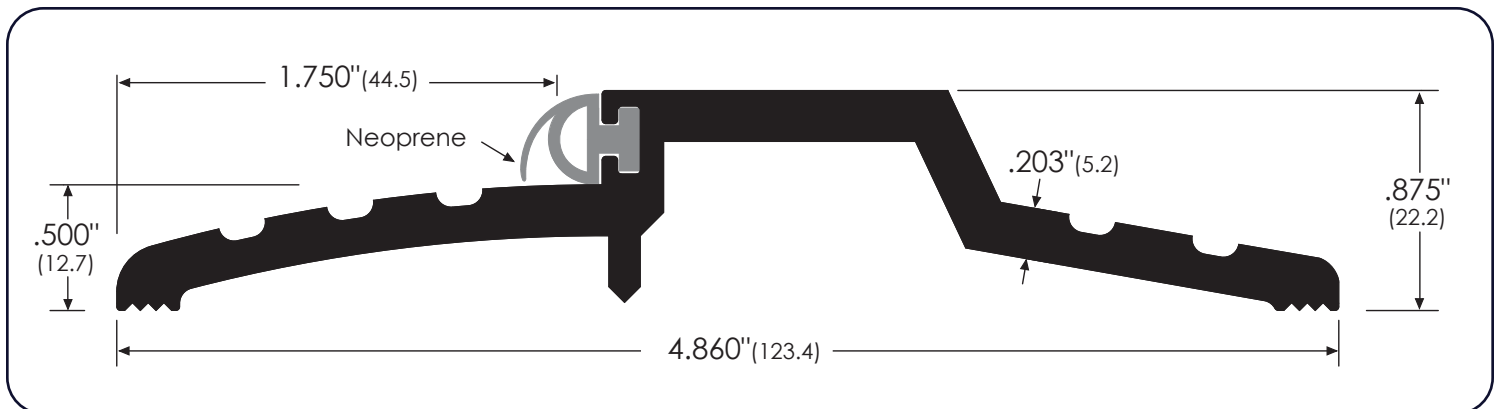
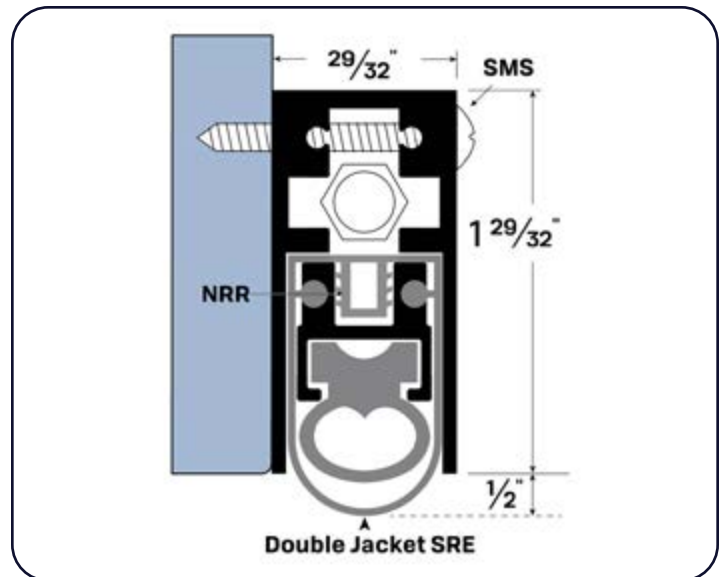
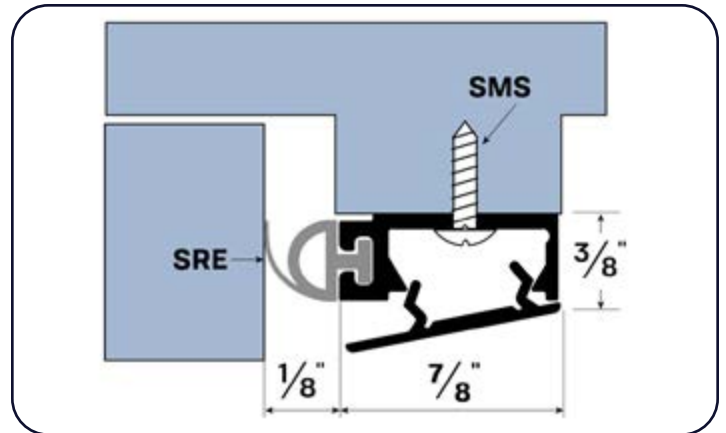
- **475-(1)(2)(3):** This is the most basic door seal kit. The Jamb Seals in this kit attach to the door stop of the frame.
- **485-(1)(2)(3):** This is the most basic door seal kit. The Jamb Seals in this kit attach to the door stop of the frame.
- **170-(1)(2)(3):** You can adjust the Jamb Seals in this kit. You can typically use these as the door stop and seal.
- **770-(1)(2)(3):** You can adjust the Jamb Seals in this kit. You can typically use these as the door stop and seal. The bubble seal on this kit has a compression range of 0.310."

PrivacyShield® Soundproofing Door Seal Kit (Complete Set)

475-1 Kit

Includes:

- #475A Jamb Seal (2) Sides (1) Top
- #367A Surface Mount Door Bottom (1)
- #565A Threshold (1)



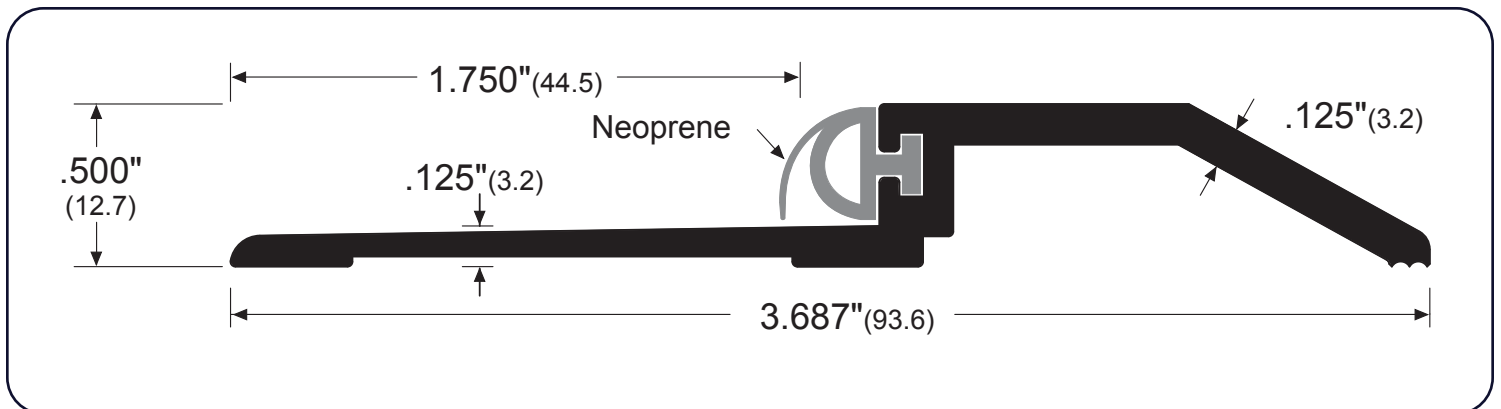
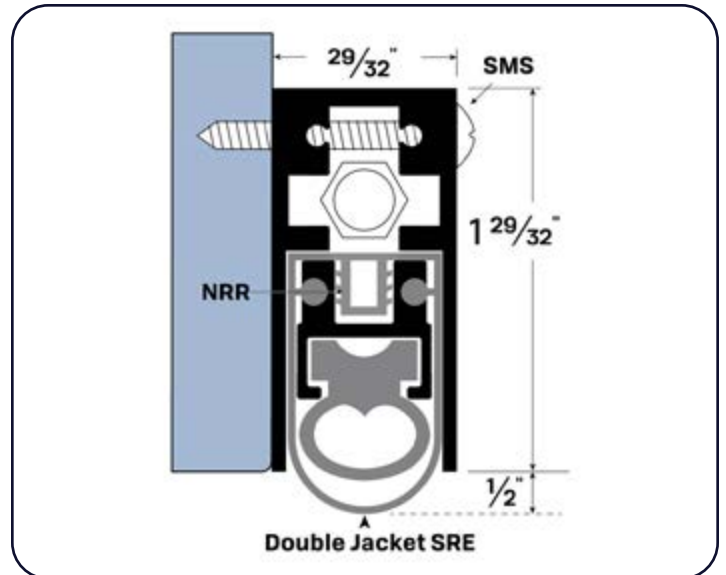
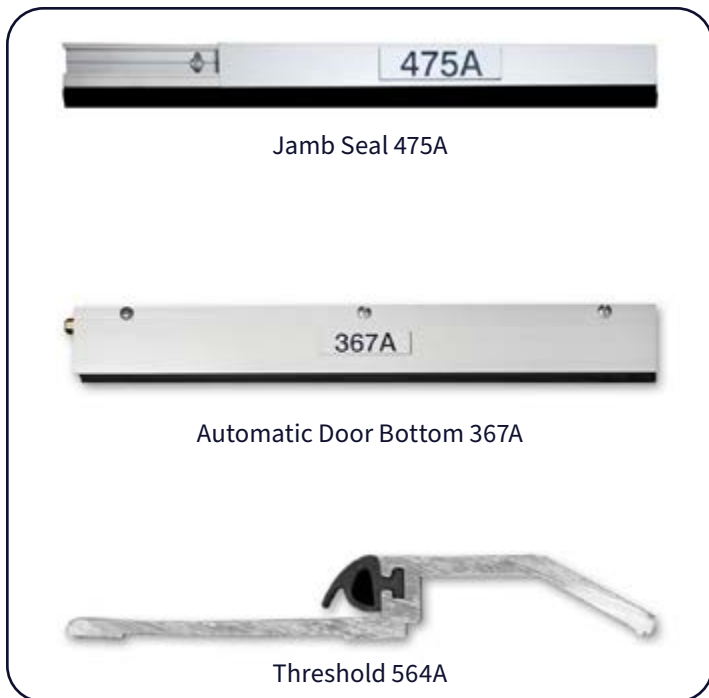
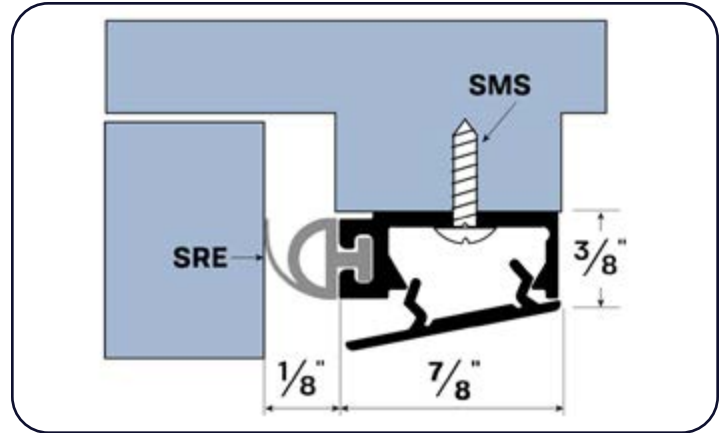
Revised: 2025-04-30

PrivacyShield® Soundproofing Door Seal Kit (Complete Set)

475-2 Kit

Includes:

- #475A Jamb Seal (2) Sides (1) Top
- #367A Surface Mount Door Bottom (1)
- #564A Threshold (1)



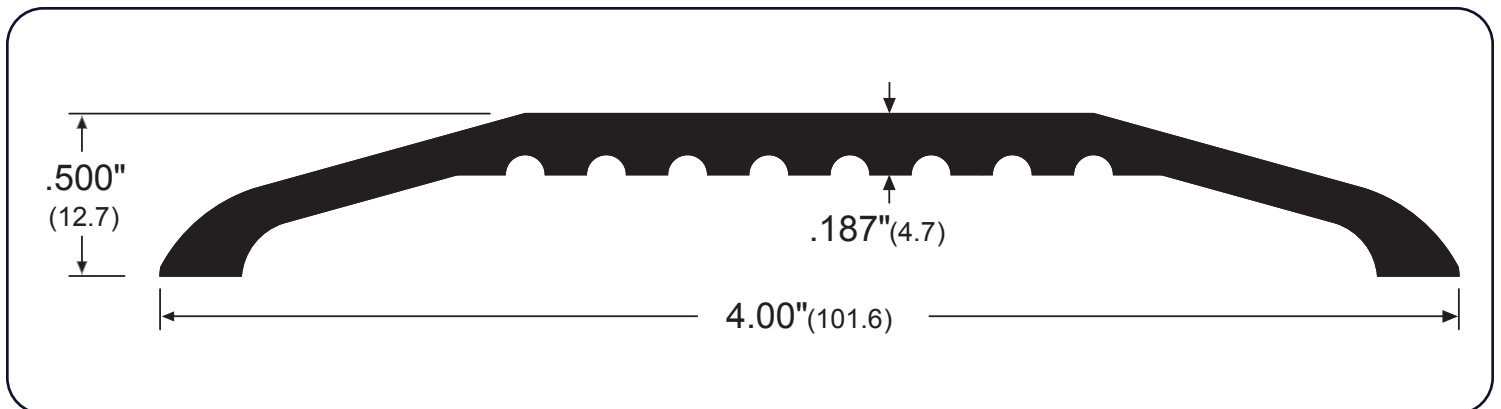
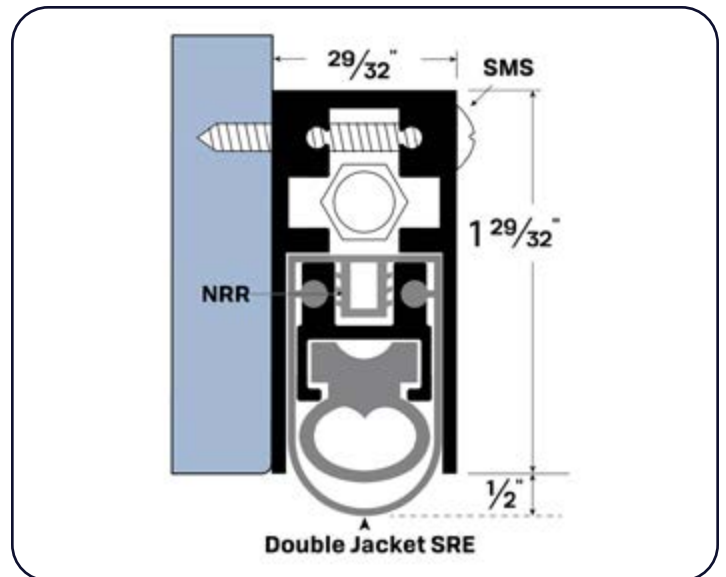
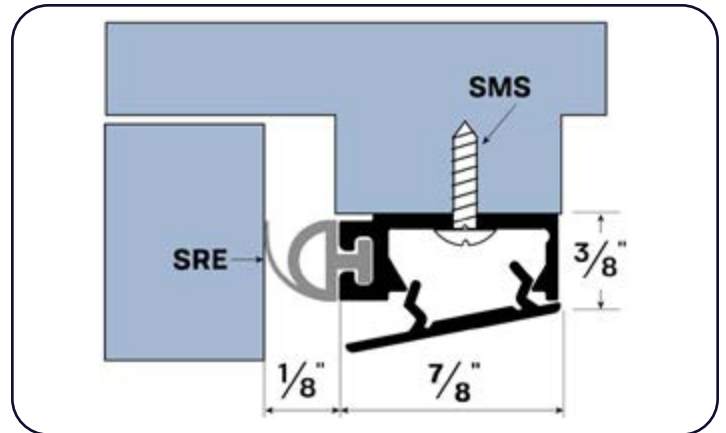
Revised: 2025-04-30

PrivacyShield® Soundproofing Door Seal Kit (Complete Set)

475-3 Kit

Includes:

- #475A Jamb Seal (2) Sides (1) Top
- #367A Surface Mount Door Bottom (1)
- #164A Threshold (1)



Revised: 2025-04-30

PrivacyShield® Soundproofing Door Seal Kit (Complete Set)

485-1 Kit

Includes:

- #485A Jamb Seal (2) Sides (1) Top
- #367A Surface Mount Door Bottom (1)
- #565A Threshold (1)



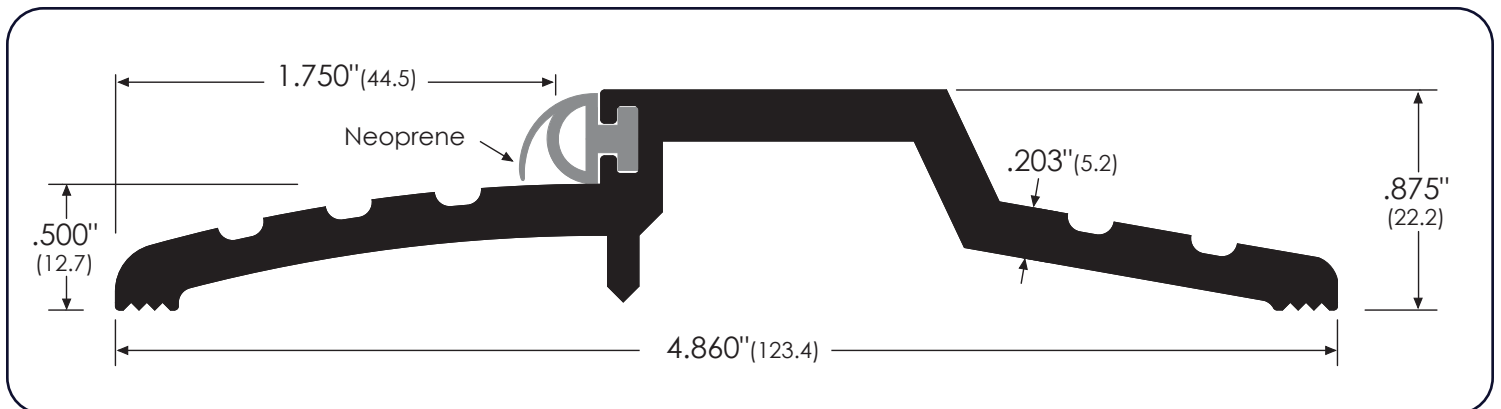
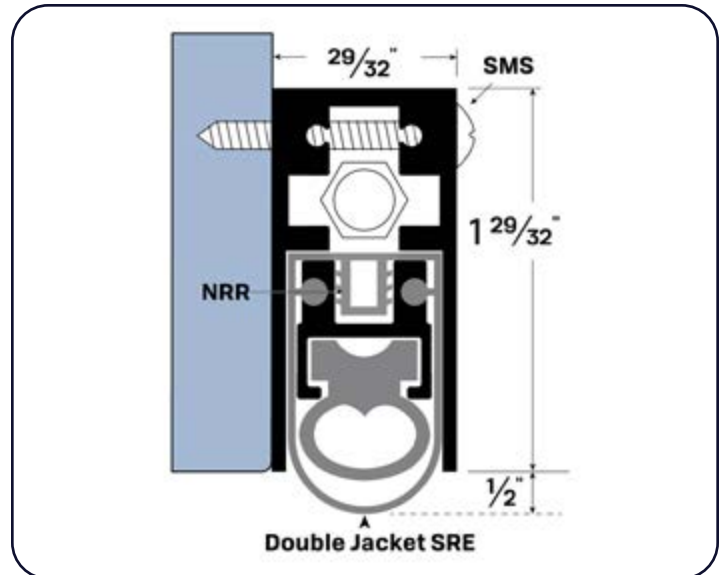
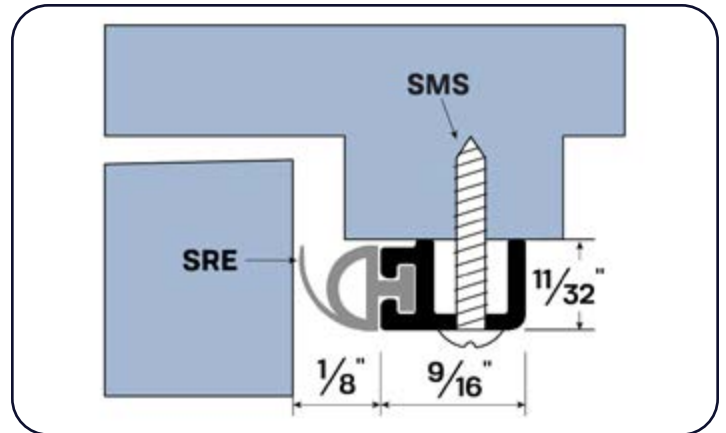
Jamb Seal 485A



Automatic Door Bottom 367A



Threshold 565A



Revised: 2025-04-30

PrivacyShield® Soundproofing Door Seal Kit (Complete Set)

485-2 Kit

Includes:

- #485A Jamb Seal (2) Sides (1) Top
- #367A Surface Mount Door Bottom (1)
- #564A Threshold (1)



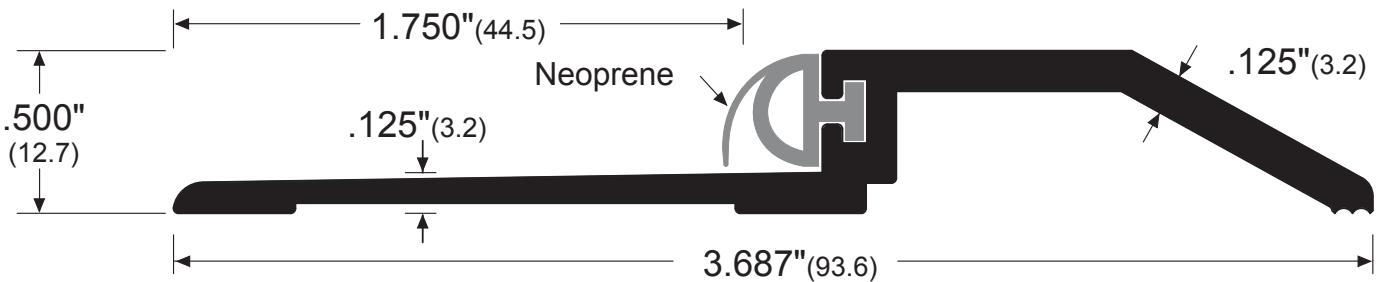
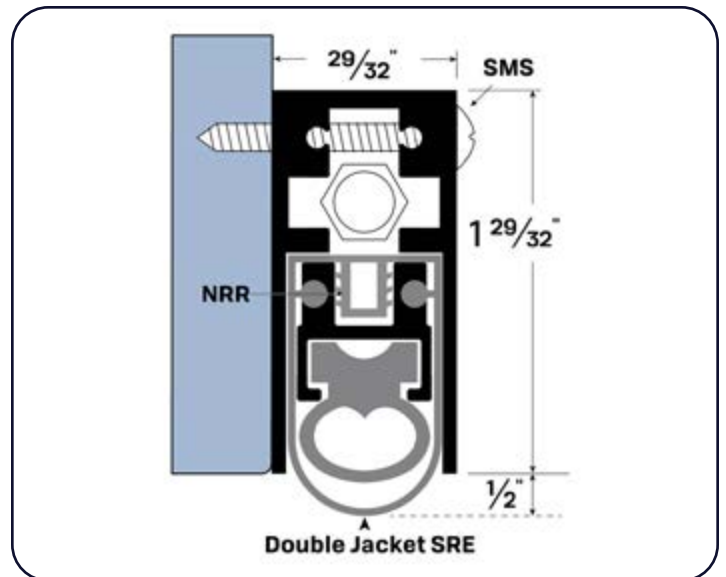
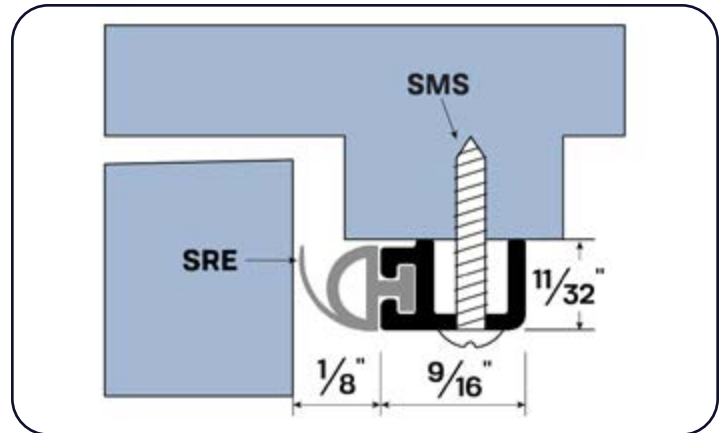
Jamb Seal 485A



Automatic Door Bottom 367A



Threshold 564A



Revised: 2025-04-30

PrivacyShield® Soundproofing Door Seal Kit (Complete Set)

485-3 Kit

Includes:

- #485A Jamb Seal (2) Sides (1) Top
- #367A Surface Mount Door Bottom (1)
- #164A Threshold (1)



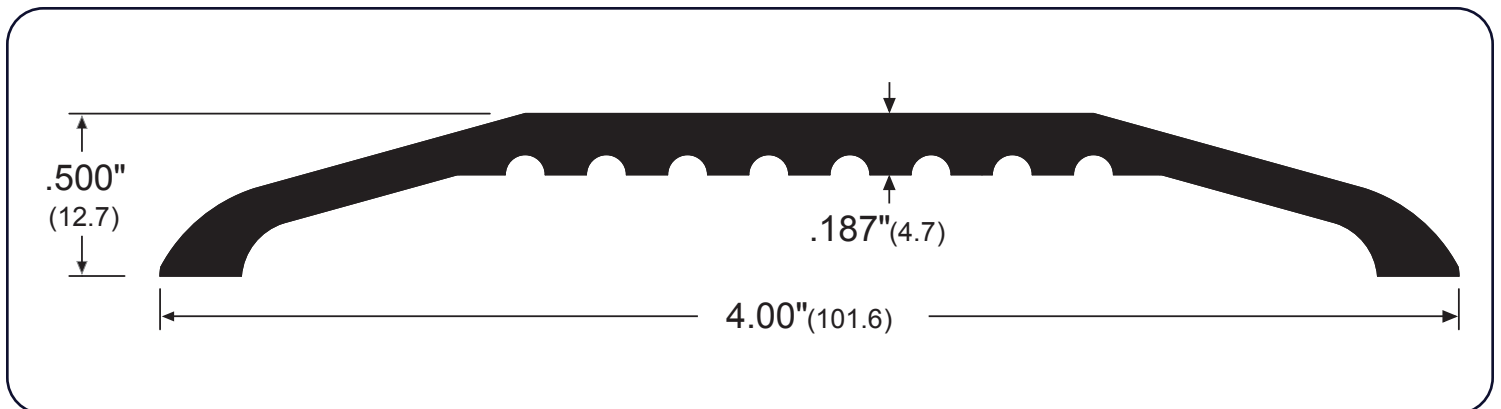
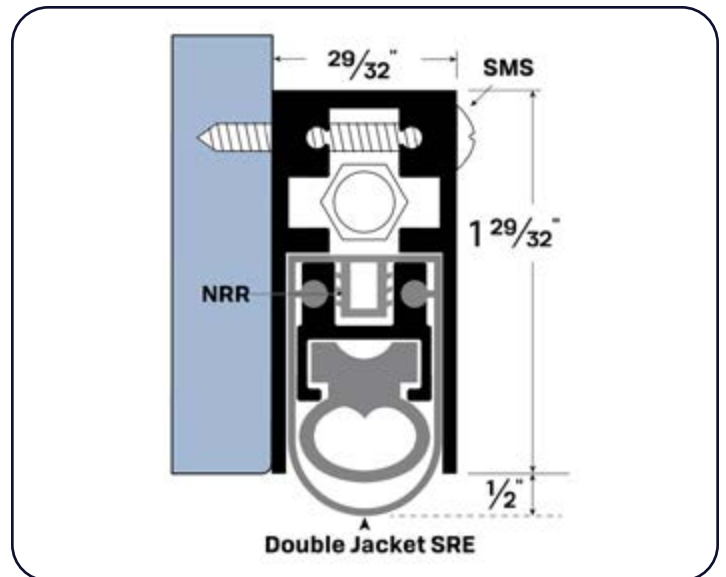
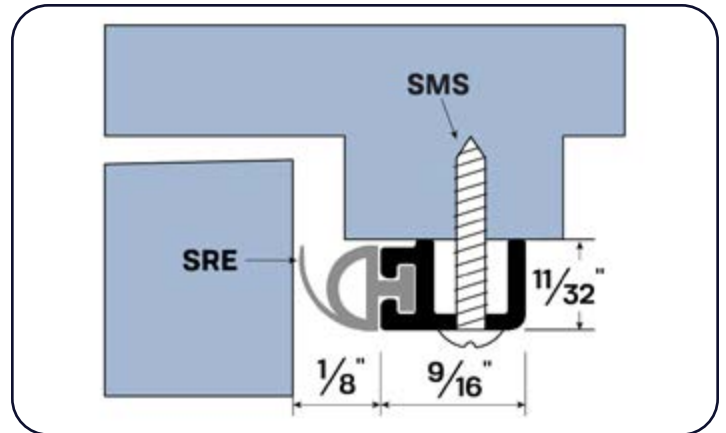
Jamb Seal 485A



Automatic Door Bottom 367A



Threshold 164A



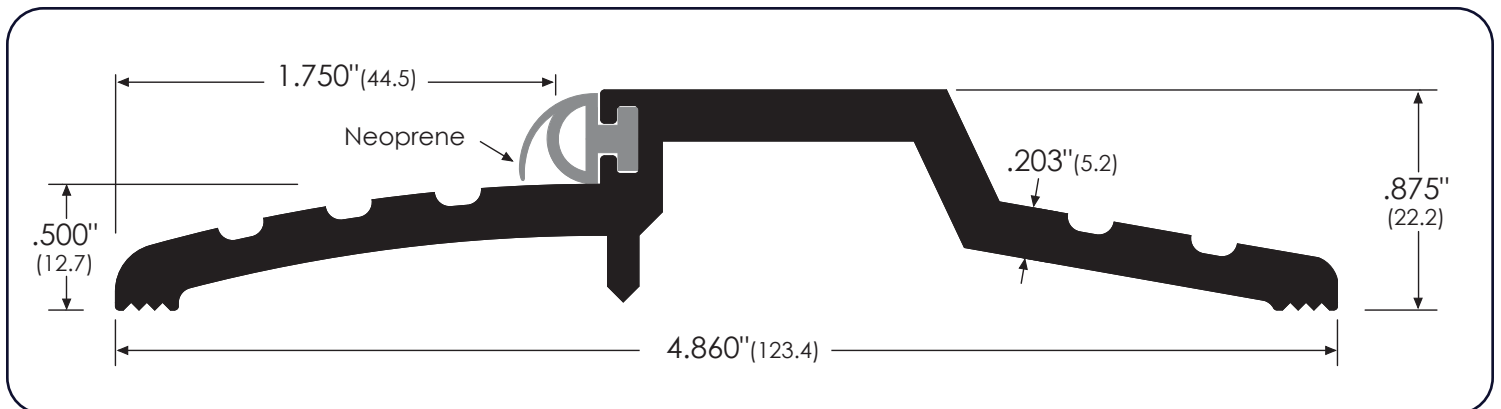
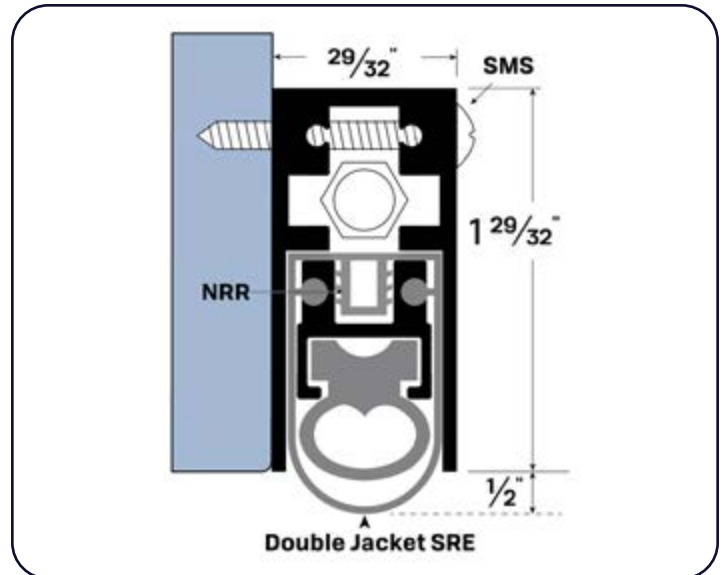
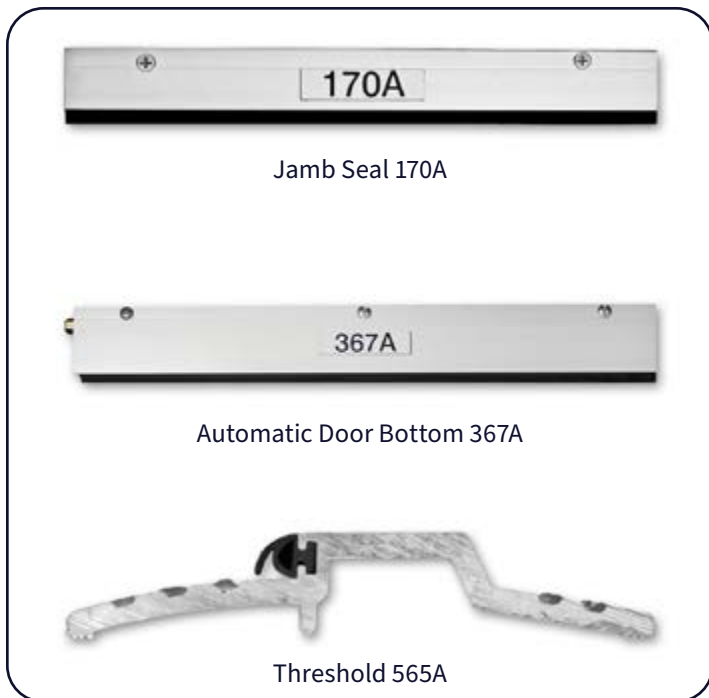
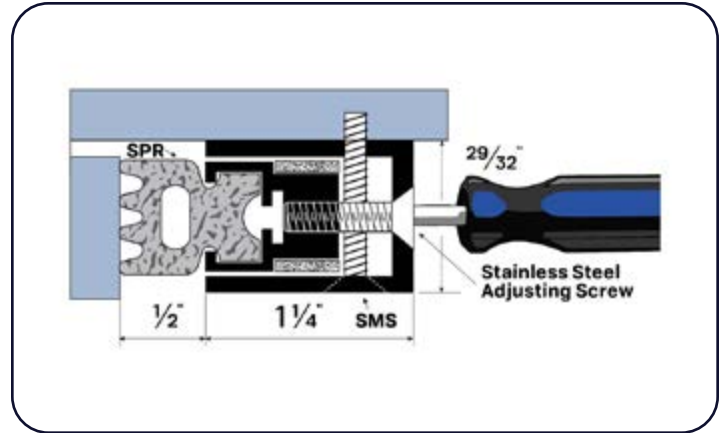
Revised: 2025-04-30

PrivacyShield® Soundproofing Door Seal Kit (Complete Set)

170-1 Kit

Includes:

- #170A Jamb Seal (2) Sides (1) Top
- #367A Surface Mount Door Bottom (1)
- #565A Threshold (1)



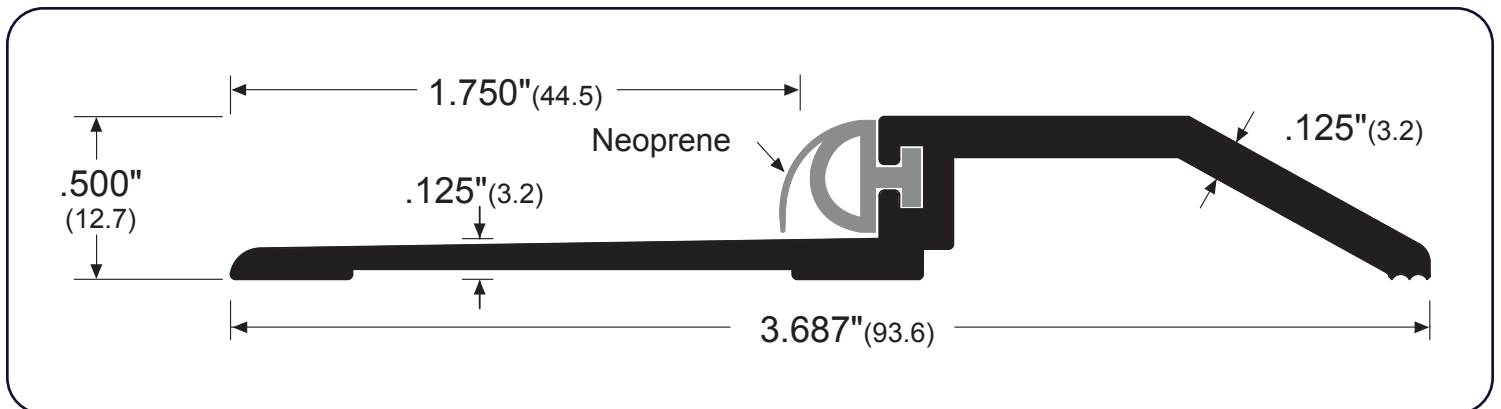
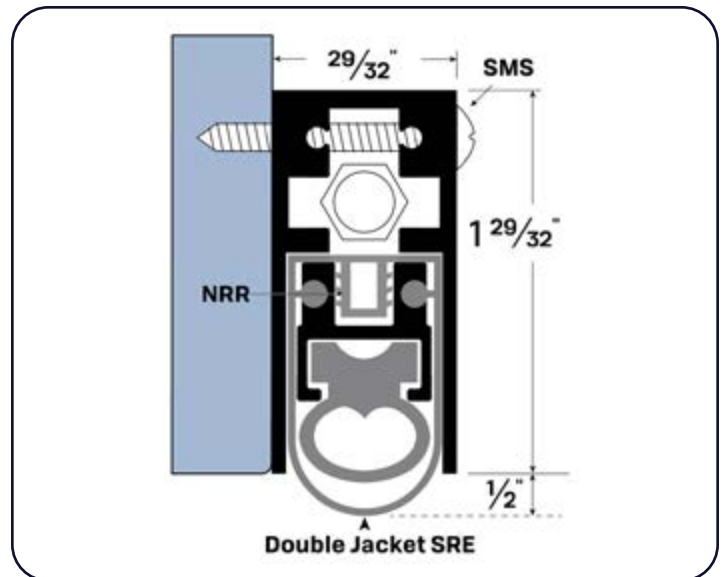
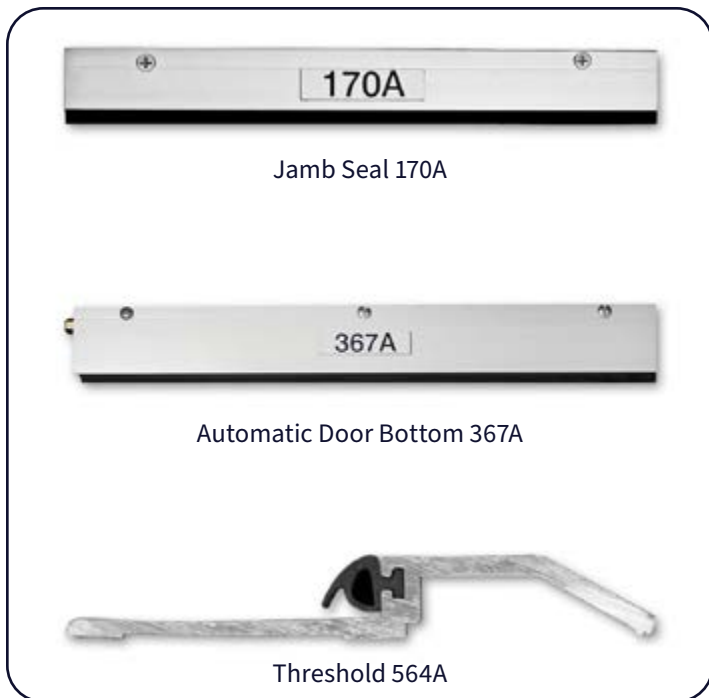
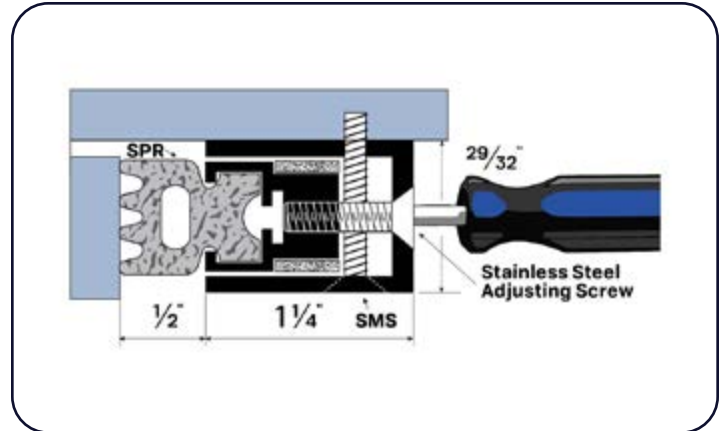
Revised: 2025-04-30

PrivacyShield® Soundproofing Door Seal Kit (Complete Set)

170-2 Kit

Includes:

- #170A Jamb Seal (2) Sides (1) Top
- #367A Surface Mount Door Bottom (1)
- #564A Threshold (1)



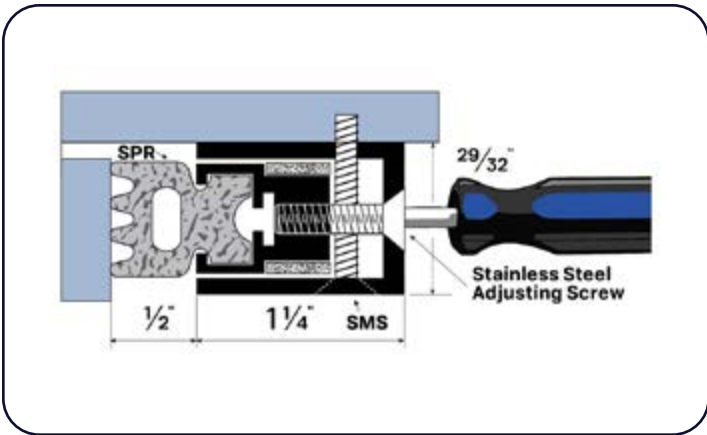
Revised: 2025-04-30

PrivacyShield® Soundproofing Door Seal Kit (Complete Set)

170-3 Kit

Includes:

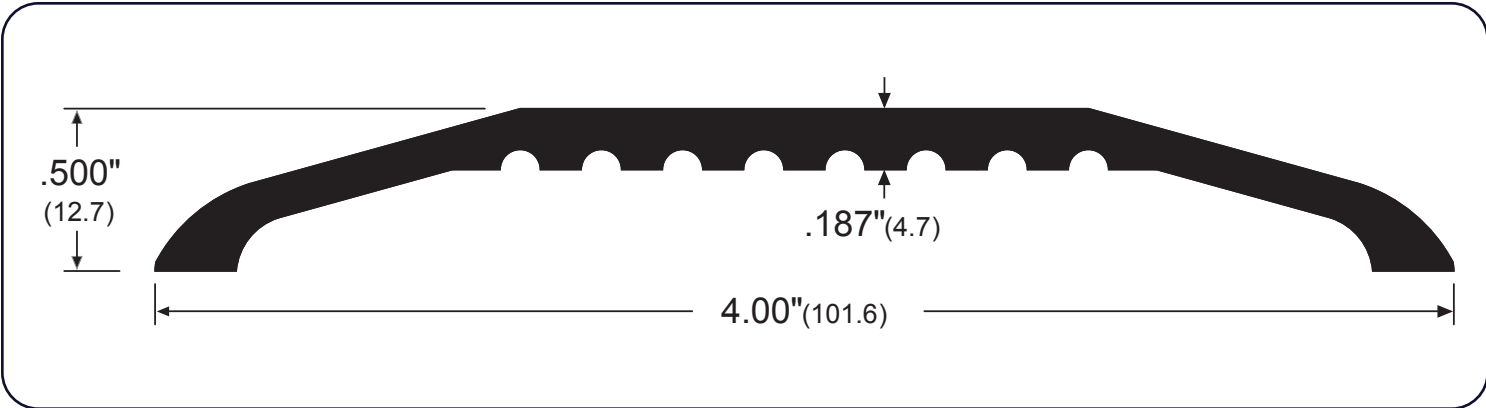
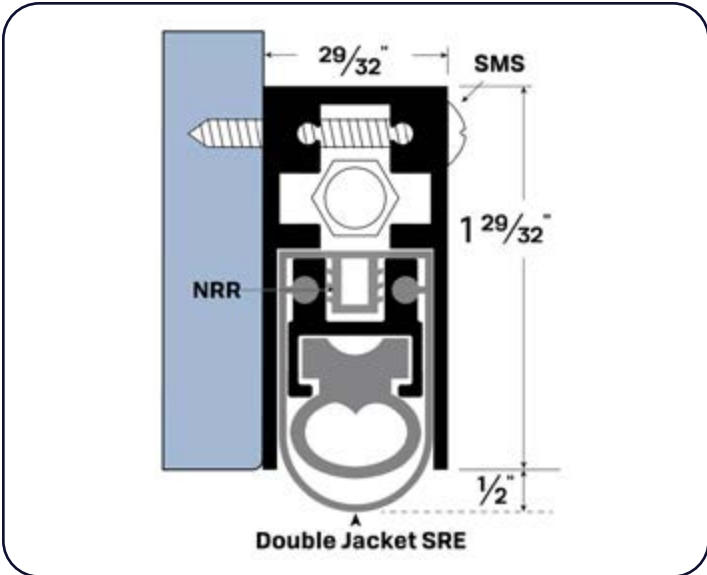
- #170A Jamb Seal (2) Sides (1) Top
- #367A Surface Mount Door Bottom (1)
- #164A Threshold (1)



Jamb Seal 170A

Automatic Door Bottom 367A

Threshold 164A



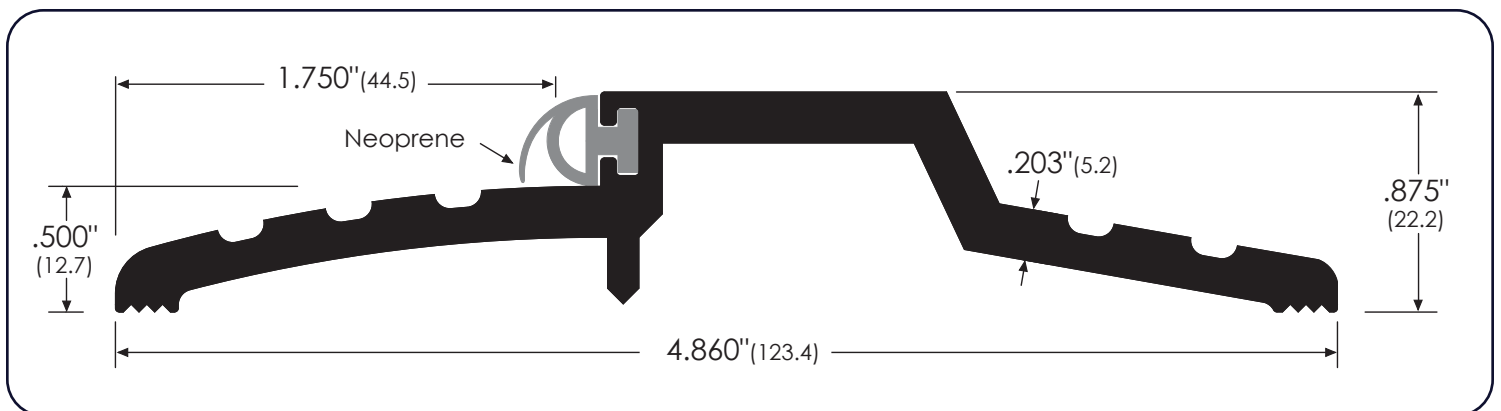
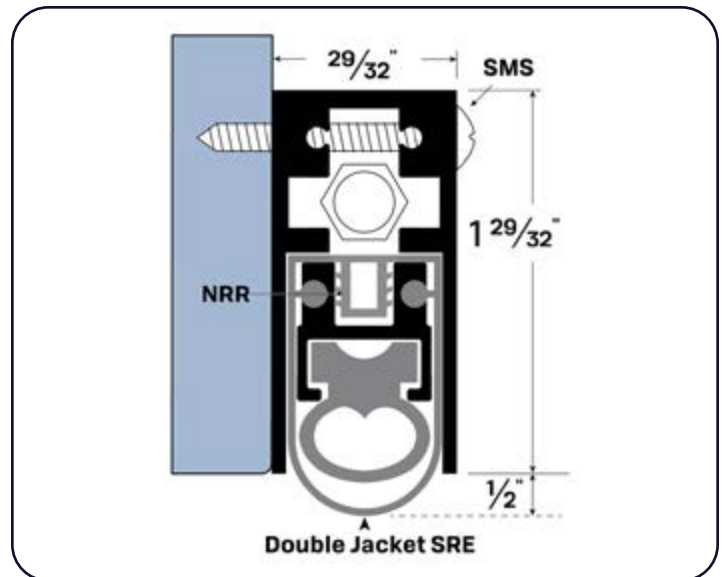
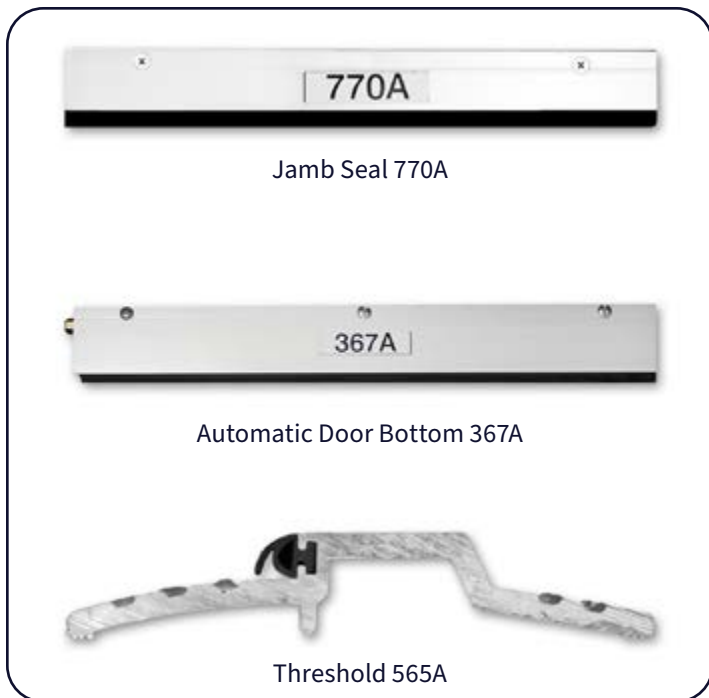
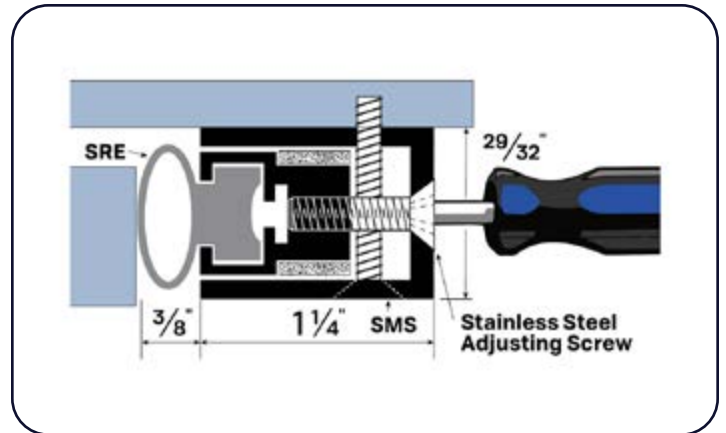
Revised: 2025-04-30

PrivacyShield® Soundproofing Door Seal Kit (Complete Set)

770-1 Kit

Includes:

- #770A Jamb Seal (2) Sides (1) Top
- #367A Surface Mount Door Bottom (1)
- #565A Threshold (1)



Revised: 2025-04-30

PrivacyShield® Soundproofing Door Seal Kit (Complete Set)

770-2 Kit

Includes:

- #770A Jamb Seal (2) Sides (1) Top
- #367A Surface Mount Door Bottom (1)
- #564A Threshold (1)



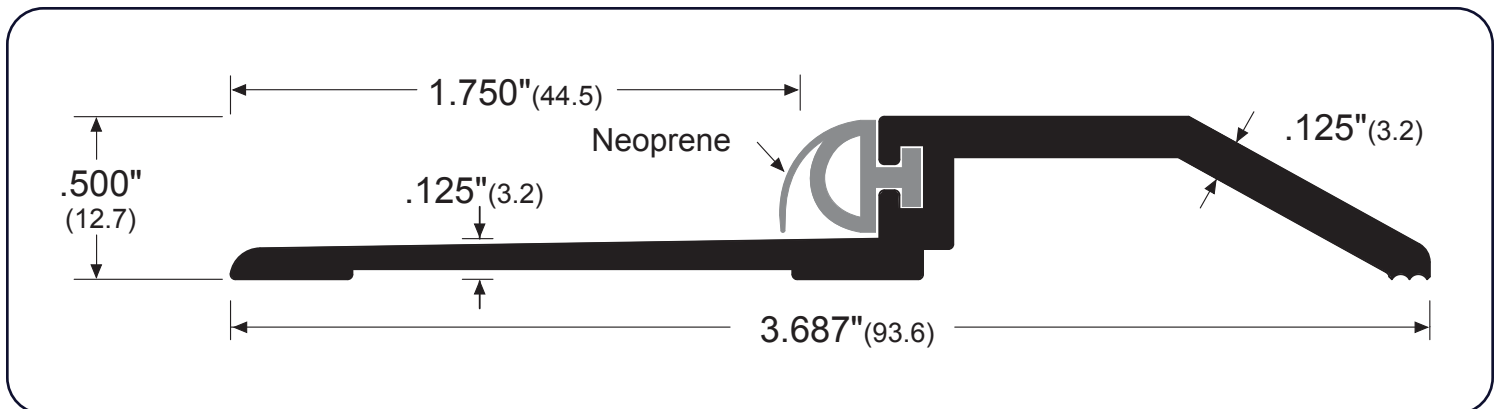
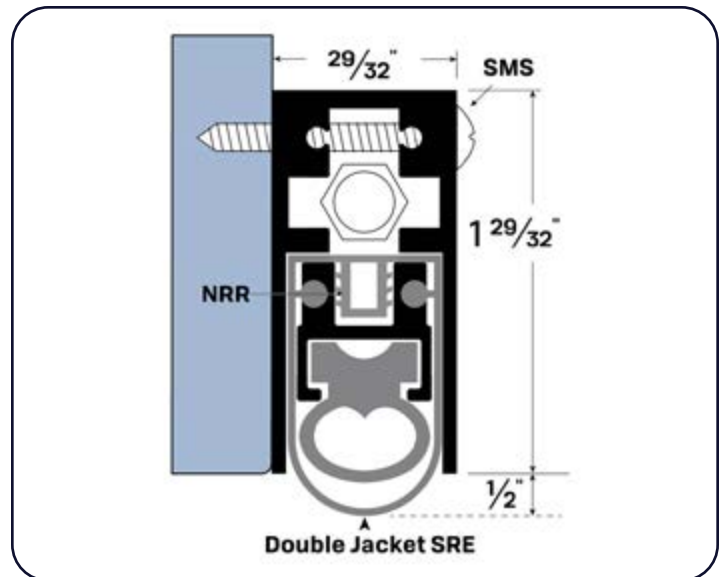
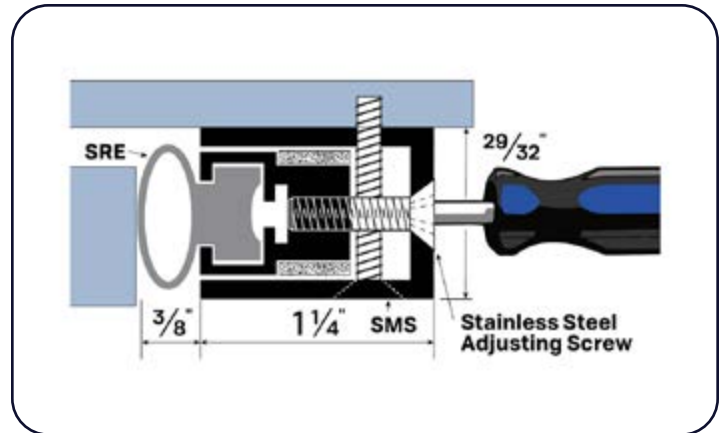
Jamb Seal 770A



Automatic Door Bottom 367A



Threshold 564A



Revised: 2025-04-30

PrivacyShield® Soundproofing Door Seal Kit (Complete Set)

770-3 Kit

Includes:

- #770A Jamb Seal (2) Sides (1) Top
- #367A Surface Mount Door Bottom (1)
- #164A Threshold (1)



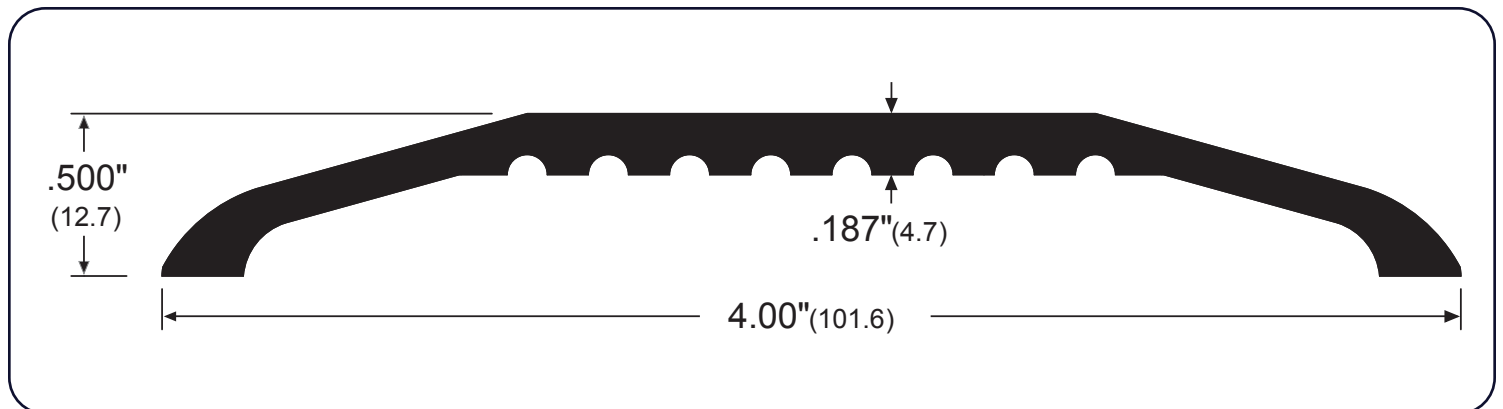
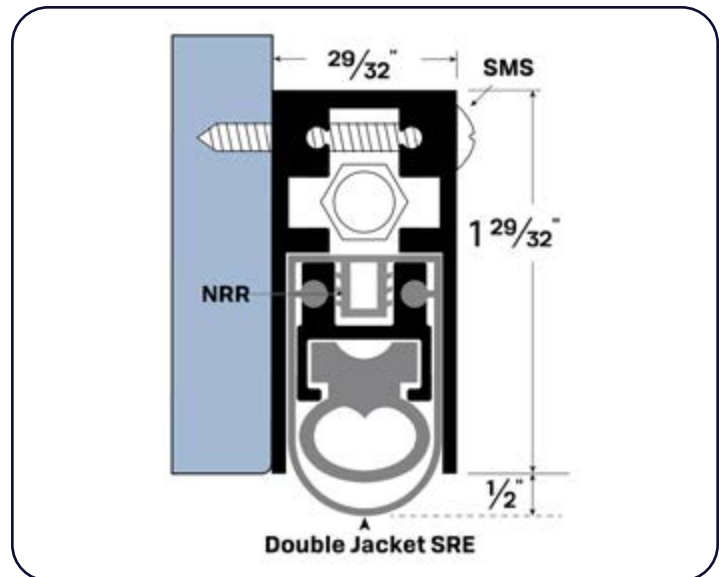
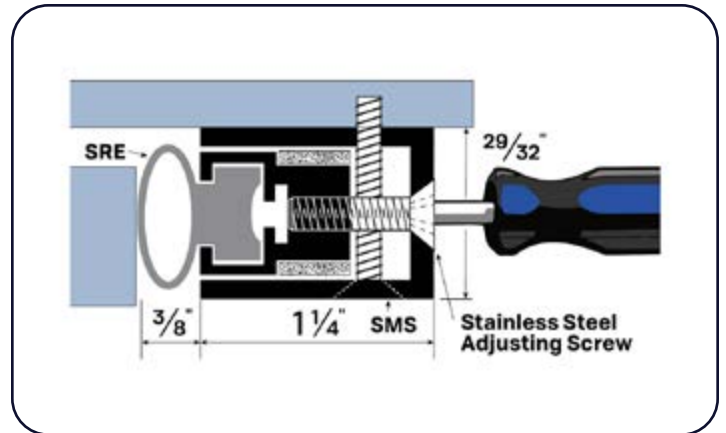
Jamb Seal 770A



Automatic Door Bottom 367A



Threshold 164A



Revised: 2025-04-30