

PrivacyShield® Window Seal Kit



Description

Our PrivacyShield® Window Seal Kit is the perfect solution to provide a thermal and acoustic sound seal to existing windows. This acoustical window insert specifically focuses on sound abatement across all frequency levels with exceptional performance while maintaining its discreet look and superior thermal properties. The PrivacyShield® Window Seal boasts up to 80% sound reduction with an STC rating as high as 49. This rivals or exceeds the performance of many other competitive products and does so at a significantly reduced cost and aesthetic impact.

The PrivacyShield® Window Seal Kit is an ideal choice for residential, commercial, or any application requiring sound and noise control. Whether you live on a busy street, airplane flight path, or wish to maintain the comfort level of your hotel guests, the PrivacyShield® Window Seal Kit window insert will perform extremely well, regardless of the application.

Technical Characteristics

Size:	up to 5' x 10'
Construction:	¼" acrylic pane set within a ¾" wide x 1" deep exterior grade, impact resistant PVC extruded frame with magnetic weather stripping bellows
Frame Color:	White Brown
Mounting:	Surface In Jamb
Window Compatibility:	Single Hung Double Hung, Horizontal Slider Picture Radius Casement Awning Bow or Bay Skylight
Custom Paint Options:	Benjamin Moore Colors in Semi or High Gloss Finish
Custom Acrylic Glazing Options:	Tinting Privacy Abrasion Resistance Museum quality UV filtering
Custom Shape Options:	Half Round Elliptical Segment Quarter Round Full Round Radius Top Triangles Trapezoid Pentagon Octagon

Revised: 2025-04-30

PrivacyShield® Window Seal Kit

Sound Blocking Performance

Window Type	STC
	No Seal 24
	With PrivacyShield® Window Seal 37
	No Seal 27
	With PrivacyShield® Window Seal 44
	No Seal 33
	With PrivacyShield® Window Seal 51



Window seals are easy to remove to clean and maintain your existing windows.



Window seals are manufactured using a PVC extrusion to produce a lightweight, durable acoustic window seal.

Revised: 2025-04-30

PrivacyShield® Window Seal Kit



PrivacyShield® Window Seal Kit applied over aluminum curtain wall construction for Balance America office suites, Houston, TX.



PrivacyShield® Window Seal Kit applied over existing storefront glass for maximum sound protection from street traffic, Ipswich, MA.



PrivacyShield® Window Seal Kit for a residential triple wide double-hung application, Charlotte, NC.



PrivacyShield® Window Seal Kit applied over historic wooden windows at the Mary O'Keefe Cultural Center, Ocean Springs, MS.

Revised: 2025-04-30

PrivacyShield® Window Seal Kit



Superior: PrivacyShield® Window Seal Kit is easily removed for cleaning of the primary window while retaining exceptional performance.



Inferior: X-brand permanent acoustic window. 3X thicker aluminum fixed window eliminated the ability to access the primary window when needed. Performance not equivalent to PrivacyShield® Window Seal Kit.



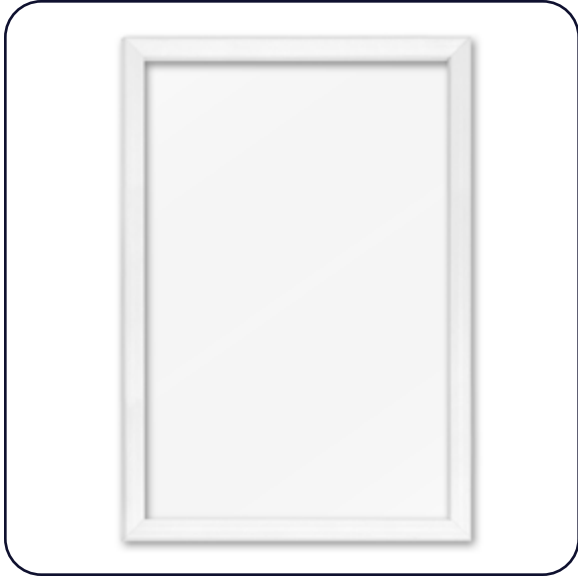
Shown above: WINDOWS INSTALLED — In-Jamb mounting style where the PrivacyShield® Window Seal sits inside of the window jamb itself — much closer to the existing window.



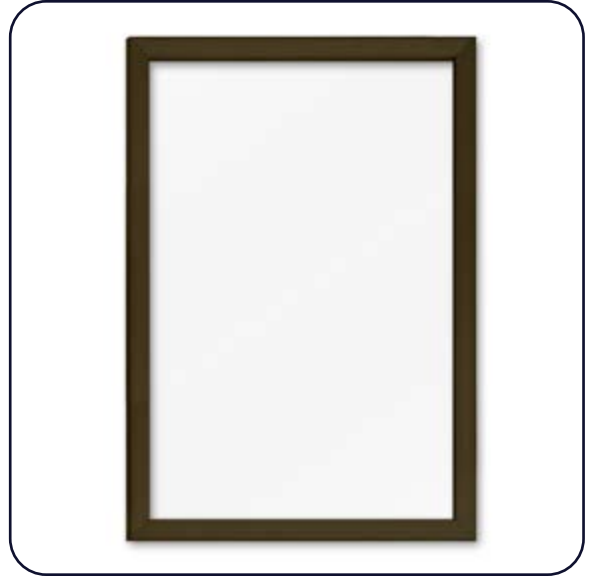
Revised: 2025-04-30

PrivacyShield® Window Seal Kit

COLOR OPTIONS



White



Brown

MOUNTING OPTIONS



Surface Mount

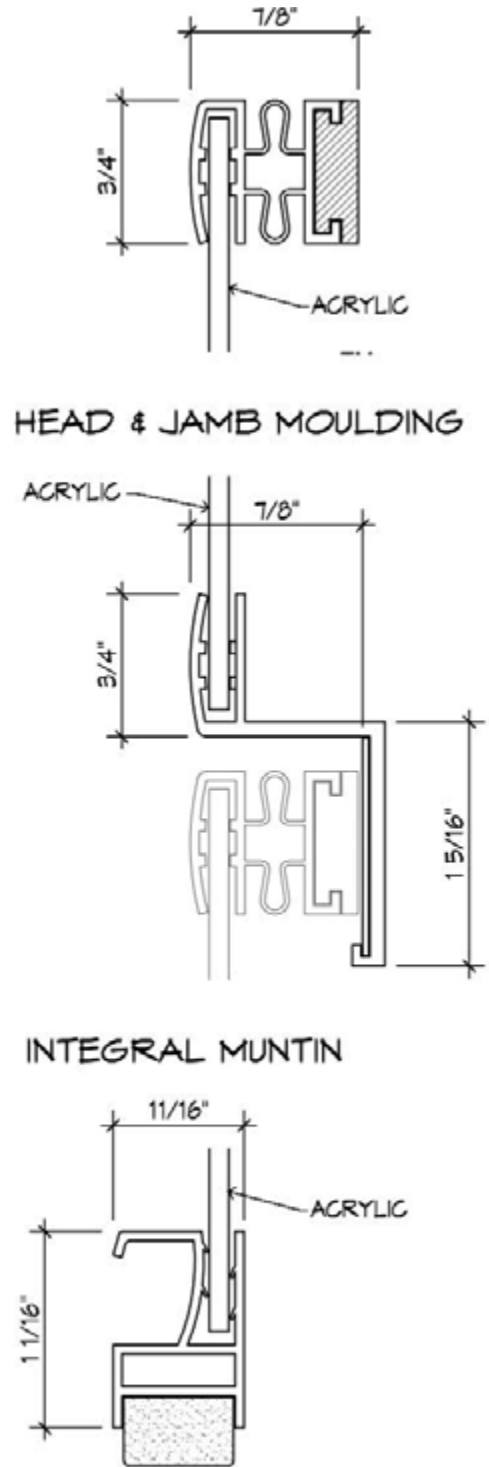
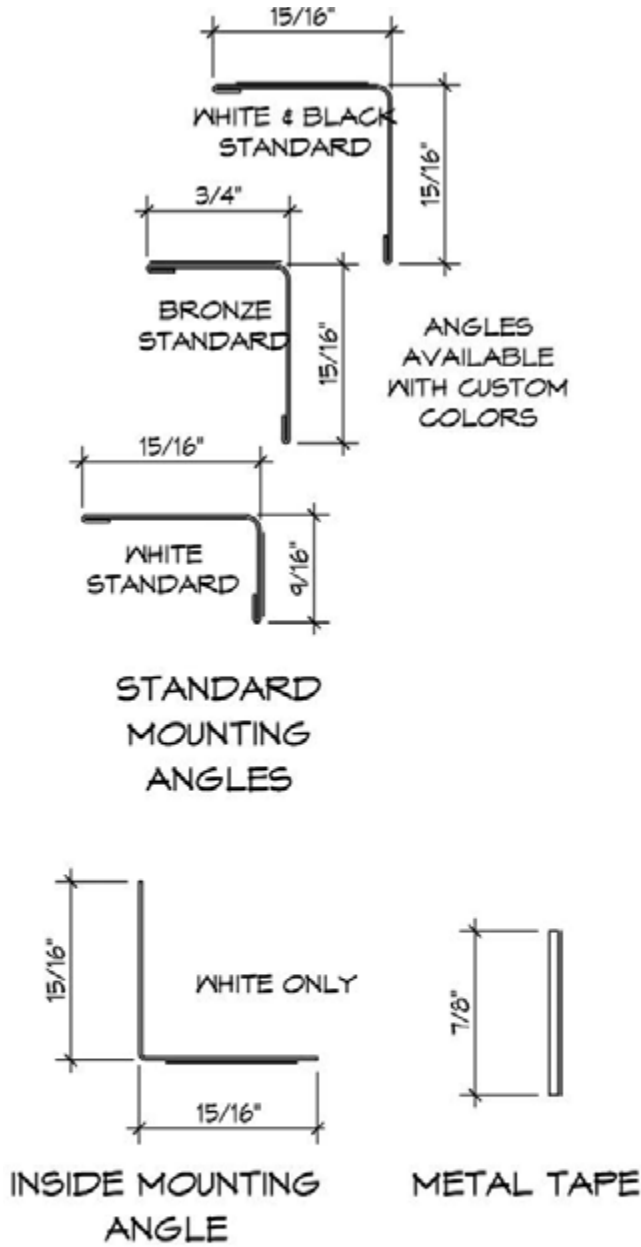


In Jamb Mount

Revised: 2025-04-30

PrivacyShield® Window Seal Kit

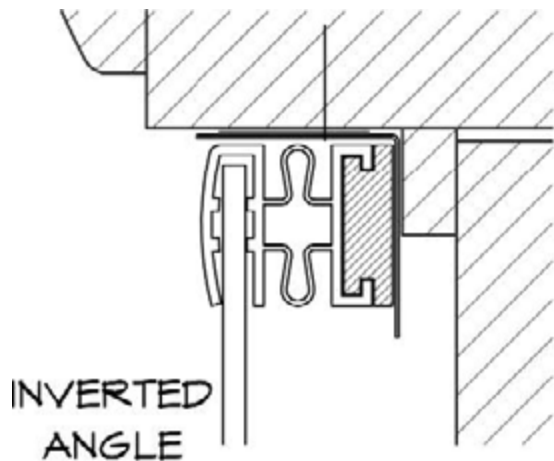
Typical Mounting Details



Revised: 2025-04-30

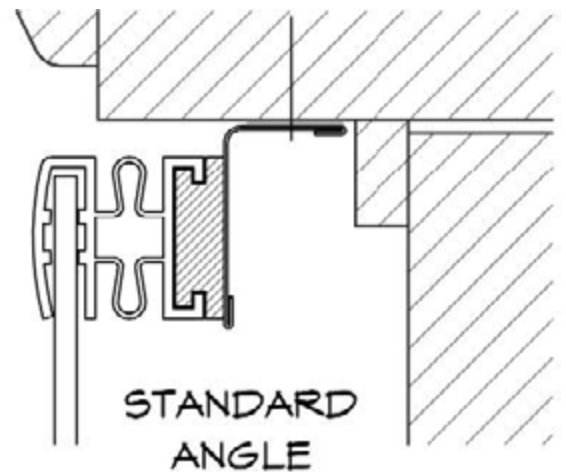
PrivacyShield® Window Seal Kit

Typical Mounting Details

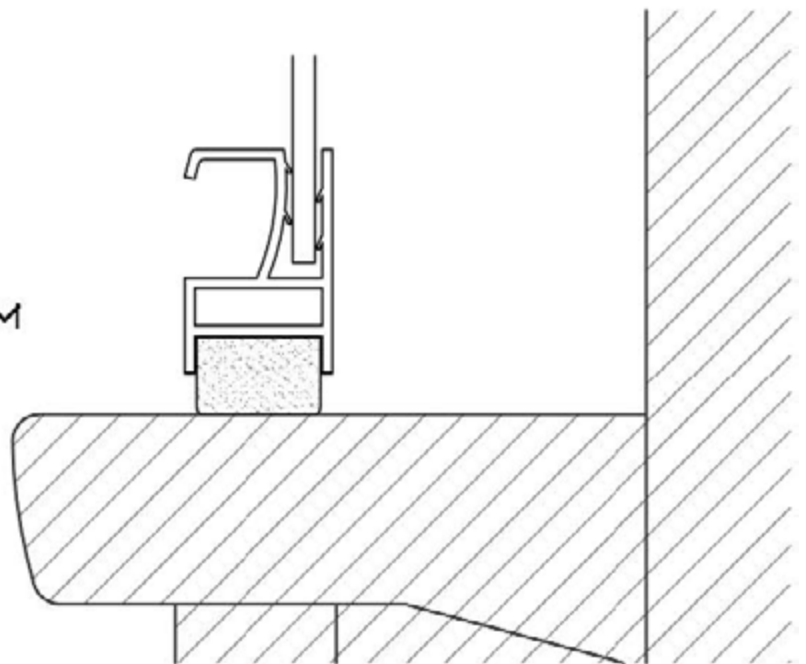


HEAD & JAMB
MOULDING

One Panel System



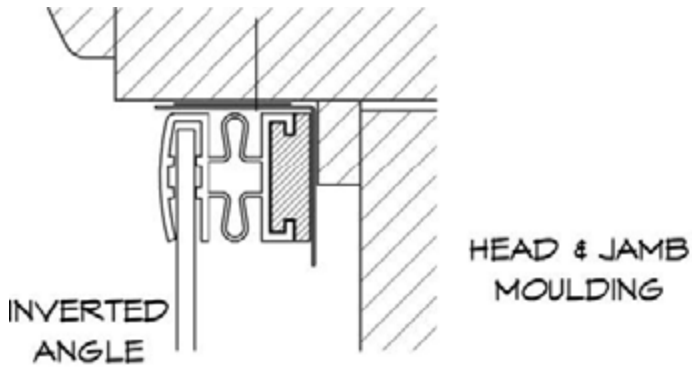
SILL TRIM



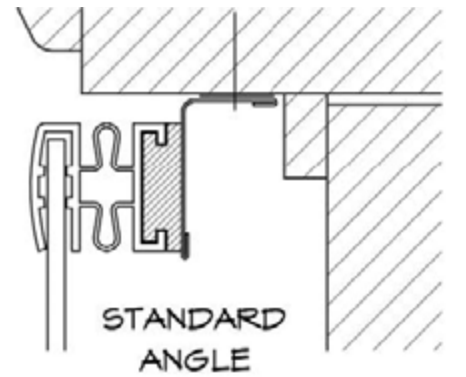
Revised: 2025-04-30

PrivacyShield® Window Seal Kit

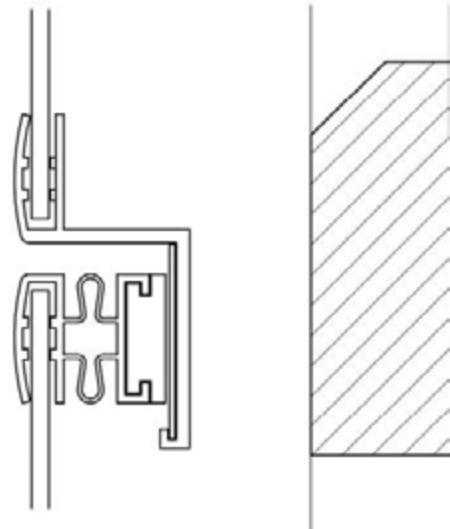
Typical Mounting Details



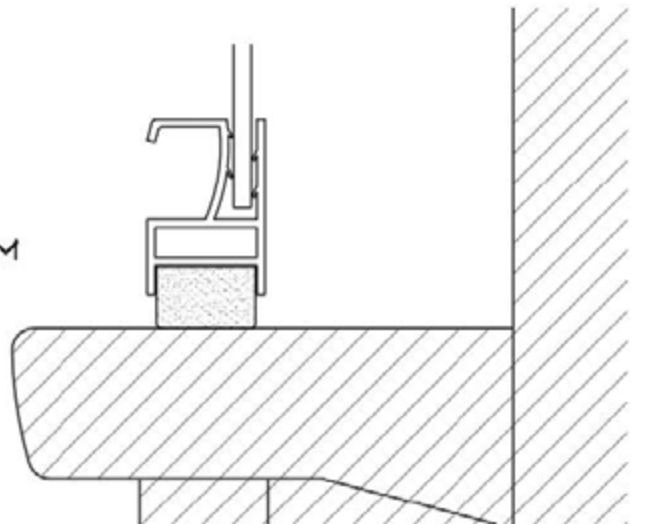
Two Panel System



INTEGRAL MUNTIN
(AT MEETING RAIL)



SILL TRIM



Revised: 2025-04-30