

INSTALLATION GUIDE

Pyramid Sound Diffuser

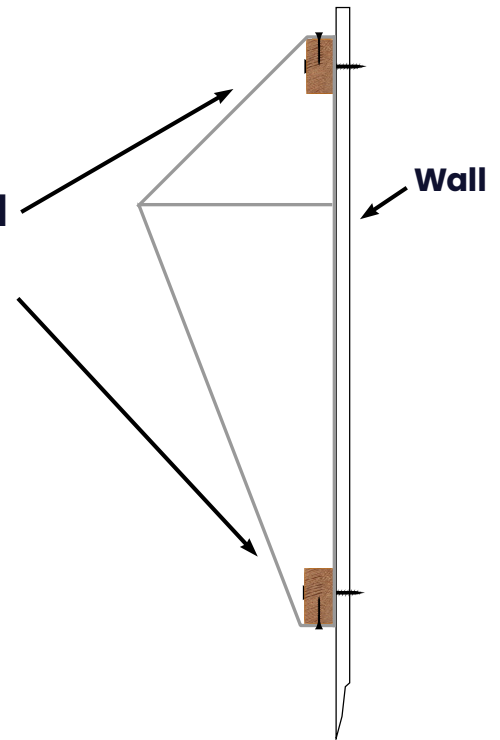
The following installation instructions are given as a general guide to avoid common errors. Installer should follow best practices for construction and workmanship. Acoustical Solutions bears no responsibility for installation or contractor selection. Please contact a sales representative if you have questions, concerns or specific project requirements.

Be sure to inspect materials upon delivery. Please note any damage on the delivery ticket and notify Acoustical Solutions immediately. Materials should be stored in original packing in a clean, climate controlled environment free of moisture. Installation should not commence until building is enclosed and under standard occupancy conditions and surfaces are of acceptable condition and properly prepared. Do not install materials of unacceptable quality.

Wall Mount

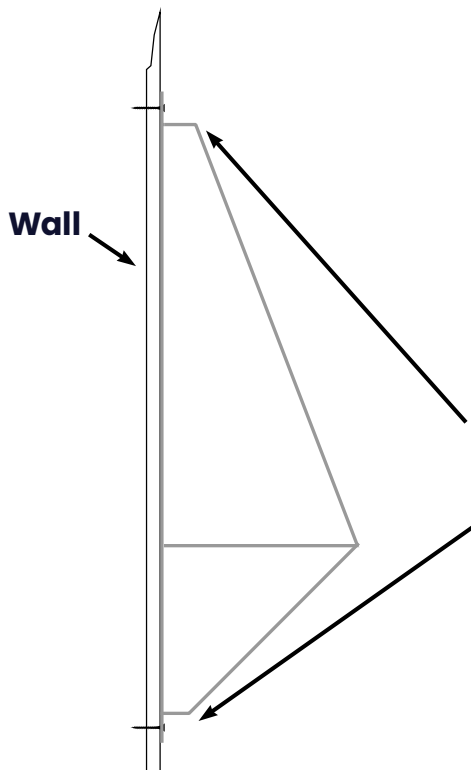
No Flange Direct Mount to Wall

Wood blocking and screws with anchors, toggle bolts, or screwed directly into studs (mounting hardware and anchors to be provided by installer)



With Flange Direct Mount to Wall

Screws with anchors, toggle bolts, or screwed directly into studs (mounting hardware and anchors to be provided by installer)

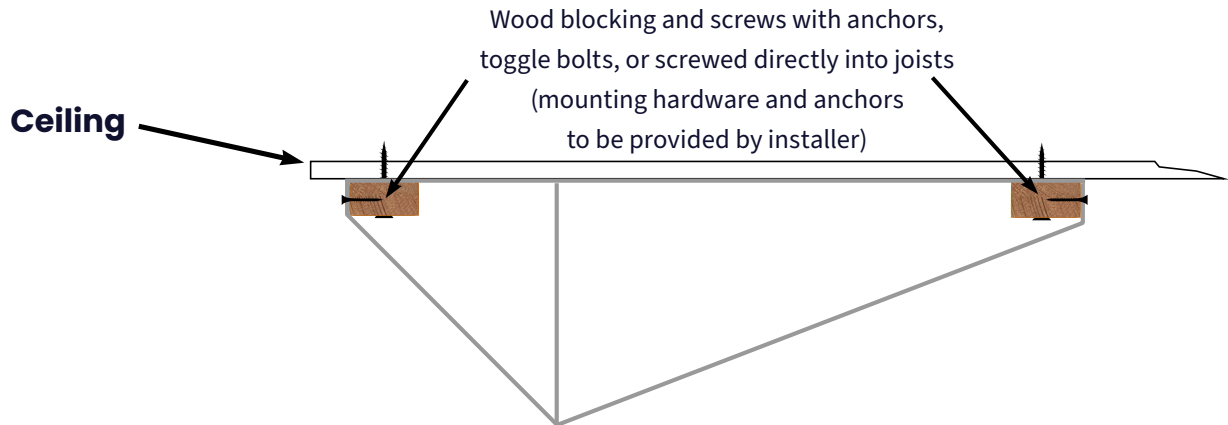


Revised: 2025-04-30

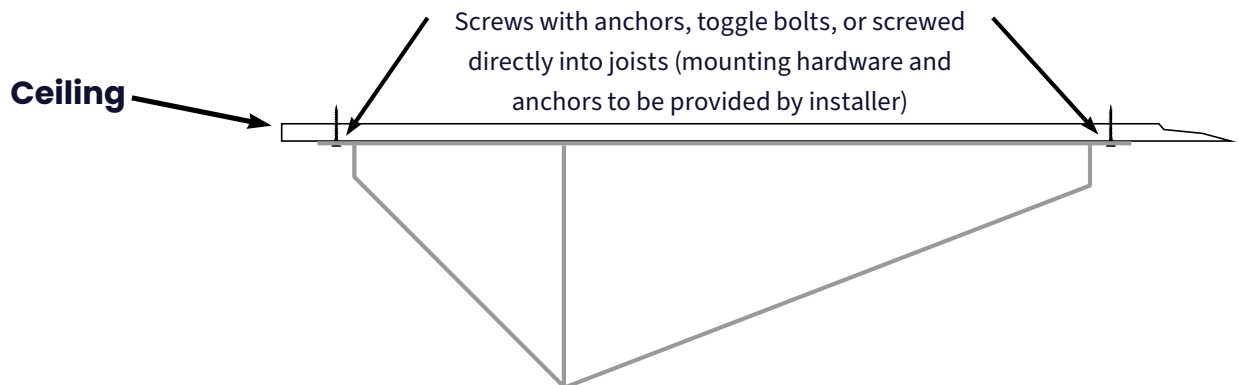
Pyramid Sound Diffuser

Ceiling Mount

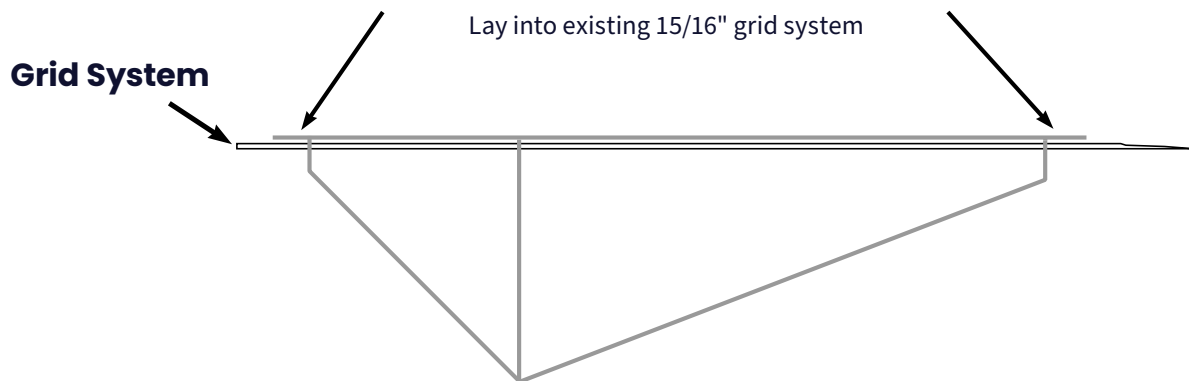
No Flange Direct Mount to Ceiling



With Flange Direct Mount to Ceiling



With Flange in Ceiling Drop Grid



Revised: 2025-04-30