

INSTALLATION GUIDE

Sonex® Clean Acoustic Sound Baffle



The following installation instructions are given as a general guide to avoid common errors. Installer should follow best practices for construction and workmanship. Acoustical Solutions bears no responsibility for installation or contractor selection. Please contact a sales representative if you have questions, concerns or specific project requirements.

Be sure to inspect materials upon delivery. Please note any damage on the delivery ticket and notify Acoustical Solutions immediately. Materials should be stored in original packing in a clean, climate controlled environment free of moisture. Installation should not commence until building is enclosed and under standard occupancy conditions and surfaces are of acceptable condition and properly prepared. Do not install materials of unacceptable quality.

Baffles are manufactured with grommets for easy installation on ceiling-mounted cables and chains.

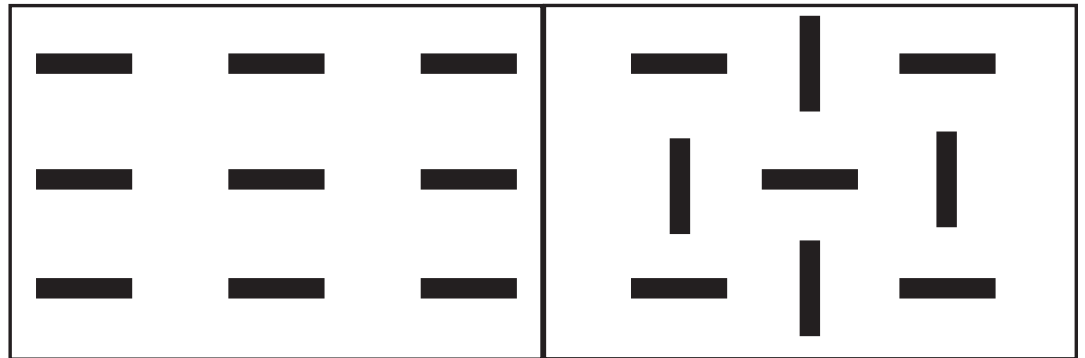
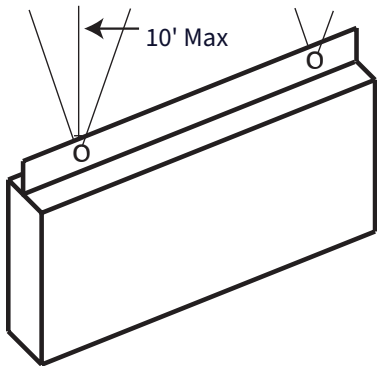
Wear clean cotton/canvas gloves to handle panels for installation. There is no difference between the back and front of the panels.

Attach the bottom end of the cable or chain to the grommet in the corners of the baffle, either directly to the grommets or by using “S” hooks.

Arrange baffles in an even, balanced pattern above the area to be treated. The baffles can be aligned in the same direction or arranged so that every other baffle is turned 90 degrees. Tests have shown that baffles arranged in an alternating pattern perform slightly better than baffles hung in the same direction.

Baffle distance from the ceiling has little effect on acoustic performance. Avoid hanging baffles more than 10 feet below the ceiling because long tethering will cause them to sway in air currents. Baffles can be hung above or below lights and other ceiling fixtures. If there is an existing fire suppression system in the ceiling, be sure to comply with the local code requirements.

Top View - Installation Patterns



Revised: 2025-04-30